



SERVICE MANUAL

SERVICE MANUAL

MODELS : T514C/T524C

SERVICE MANUAL

**T514C
T524C**

DVD VIDEO PLAYER

T514C/T524C
DVD VIDEO PLAYER

T514C/T524C

T514C/T524C
DVD VIDEO PLAYER

© NAD 2005

**NAD ELECTRONICS INTERNATIONAL
TORONTO**

CONTENTS

SECTION 1SUMMARY

SECTION 2CABINET & MAIN CHASSIS

SECTION 3ELECTRICAL

SECTION 4MECHANISM

SECTION 5REPLACEMENT PARTS LIST

SECTION 1

SUMMARY

CONTENTS

PRODUCT SAFETY SERVICING GUIDELINES FOR VIDEO PRODUCTS	1-3
SERVICING PRECAUTIONS	1-4
• General Servicing Precautions	
• Insulation Checking Prodedure	
• Electrostatically Sensitive Devices	
SPECIFICATIONS	1-5

PRODUCT SAFETY SERVICING GUIDELINES FOR VIDEO PRODUCTS

CAUTION : DO NOT ATTEMPT TO MODIFY THIS PRODUCT IN ANY WAY, NEVER PERFORM CUSTOMIZED INSTALLATIONS WITHOUT MANUFACTURER'S APPROVAL. UNAUTHORIZED MODIFICATIONS WILL NOT ONLY VOID THE WARRANTY, BUT MAY LEAD TO YOUR BEING LIABLE FOR ANY RESULTING PROPERTY DAMAGE OR USER INJURY.

SERVICE WORK SHOULD BE PERFORMED ONLY AFTER YOU ARE THOROUGHLY FAMILIAR WITH ALL OF THE FOLLOWING SAFETY CHECKS AND SERVICING GUIDELINES. TO DO OTHERWISE, INCREASES THE RISK OF POTENTIAL HAZARDS AND INJURY TO THE USER.

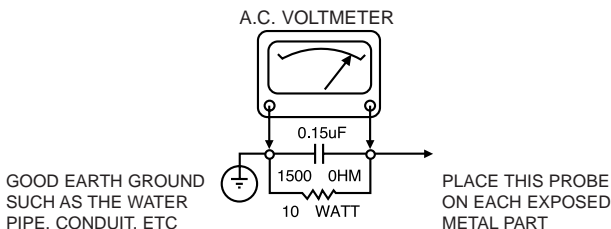
WHILE SERVICING, USE AN ISOLATION TRANSFORMER FOR PROTECTION FROM A.C. LINE SHOCK.

SAFETY CHECKS

AFTER THE ORIGINAL SERVICE PROBLEM HAS BEEN CORRECTED, A CHECK SHOULD BE MADE OF THE FOLLOWING.

SUBJECT : FIRE & SHOCK HAZARD

1. BE SURE THAT ALL COMPONENTS ARE POSITIONED IN SUCH A WAY AS TO AVOID POSSIBILITY OF ADJACENT COMPONENT SHORTS. THIS IS ESPECIALLY IMPORTANT ON THOSE MODULES WHICH ARE TRANSPORTED TO AND FROM THE REPAIR SHOP.
2. NEVER RELEASE A REPAIR UNLESS ALL PROTECTIVE DEVICES SUCH AS INSULATORS, BARRIERS, COVERS, SHIELDS, STRAIN RELIEFS, POWER SUPPLY CORDS, AND OTHER HARDWARE HAVE BEEN REINSTALLED PER ORIGINAL DESIGN. BE SURE THAT THE SAFETY PURPOSE OF THE POLARIZED LINE PLUG HAS NOT BEEN DEFEATED.
3. SOLDERING MUST BE INSPECTED TO DISCOVER POSSIBLE COLD SOLDER JOINTS, SOLDER SPLASHES OR SHARP SOLDER POINTS. BE CERTAIN TO REMOVE ALL LOOSE FOREIGN PARTICLES.
4. CHECK FOR PHYSICAL EVIDENCE OF DAMAGE OR DETERIORATION TO PARTS AND COMPONENTS. FOR FRAYED LEADS, DAMAGED INSULATION (INCLUDING A.C. CORD), AND REPLACE IF NECESSARY FOLLOW ORIGINAL LAYOUT, LEAD LENGTH AND DRESS.
5. NO LEAD OR COMPONENT SHOULD TOUCH A RECEIVING TUBE OR A RESISTOR RATED AT 1 WATT OR MORE. LEAD TENSION AROUND PROTRUDING METAL SURFACES MUST BE AVOIDED.
6. ALL CRITICAL COMPONENTS SUCH AS FUSES, FLAMEPROOF RESISTORS, CAPACITORS, ETC. MUST BE REPLACED WITH EXACT FACTORY TYPES, DO NOT USE REPLACEMENT COMPONENTS OTHER THAN THOSE SPECIFIED OR MAKE UNRECOMMENDED CIRCUIT MODIFICATIONS.
7. AFTER RE-ASSEMBLY OF THE SET ALWAYS PERFORM AN A.C. LEAKAGE TEST ON ALL EXPOSED METALLIC PARTS OF THE CABINET, (THE CHANNEL SELECTOR KNOB, ANTENNA TERMINALS, HANDLE AND SCREWS) TO BE SURE THE SET IS SAFE TO OPERATE WITHOUT DANGER OF ELECTRICAL SHOCK. DO NOT USE A LINE ISOLATION TRANSFORMER DURING THIS TEST USE AN A.C. VOLT-METER, HAVING 5000 OHMS PER VOLT OR MORE SENSITIVITY, IN THE FOLLOWING MANNER; CONNECT A 1500 OHM 10 WATT RESISTOR, PARALLELED BY A .15 MFD. 150.V A.C TYPE CAPACITOR BETWEEN A KNOWN GOOD EARTH GROUND (WATER PIPE, CONDUIT, ETC.) AND THE EXPOSED METALLIC PARTS, ONE AT A TIME. MEASURE THE A.C. VOLTAGE ACROSS THE COMBINATION OF 1500 OHM RESISTOR AND .15 MFD CAPACITOR. REVERSE THE A.C. PLUG AND REPEAT A.C. VOLTAGE MEASUREMENTS FOR EACH EXPOSED METALLIC PART. VOLTAGE MEASURED MUST NOT EXCEED 75 VOLTS R.M.S. THIS CORRESPONDS TO 0.5 MILLIAMPS A.C ANY VALUE EXCEEDING THIS LIMIT CONSTITUTES A POTENTIAL SHOCK HAZARD AND MUST BE CORRECTED IMMEDIATELY.



SUBJECT: GRAPHIC SYMBOLS



THE LIGHTNING FLASH WITH APOWHEAD SYMBOL, WITHIN AN EQUILATERAL TRIANGLE, IS INTENDED TO ALERT THE SERVICE PERSONNEL TO THE PRESENCE OF UNINSULATED "DANGEROUS VOLTAGE" THAT MAY BE OF SUFFICIENT MAGNITUDE TO CONSTITUTE A RISK OF ELECTRIC SHOCK.



THE EXCLAMATION POINT WITHIN AN EQUILATERAL TRIANGLE IS INTENDED TO ALERT THE SERVICE PERSONNEL TO THE PRESENCE OF IMPORTANT SAFETY INFORMATION IN SERVICE LITERATURE.

SUBJECT : X-RADIATION

1. BE SURE PROCEDURES AND INSTRUCTIONS TO ALL SERVICE PERSONNEL COVER THE SUBJECT OF X-RADIATION. THE ONLY POTENTIAL SOURCE OF X-RAYS IN CURRENT T.V. RECEIVERS IS THE PICTURE TUBE. HOWEVER, THIS TUBE DOES NOT EMIT X-RAYS WHEN THE HIGH VOLTAGE IS AT THE FACTORY SPECIFIED LEVEL. THE PROPER VALUE IS GIVEN IN THE APPLICABLE SCHEMATIC. OPERATION AT HIGHER VOLTAGES MAY CAUSE A FAILURE OF THE PICTURE TUBE OR HIGH VOLTAGE SUPPLY AND, UNDER CERTAIN CIRCUMSTANCES, MAY PRODUCE RADIATION IN EXCESS OF DESIRABLE LEVELS.
2. ONLY FACTORY SPECIFIED C.R.T. ANODE CONNECTORS MUST BE USED. DEGAUSSING SHIELDS ALSO SERVE AS X-RAY SHIELD IN COLOR SETS, ALWAYS RE-INSTALL THEM.
3. IT IS ESSENTIAL THAT SERVICE PERSONNEL HAVE AVAILABLE AN ACCURATE AND RELIABLE HIGH VOLTAGE METER. THE CALIBRATION OF THE METER SHOULD BE CHECKED PERIODICALLY AGAINST A REFERENCE STANDARD, SUCH AS THE ONE AVAILABLE AT YOUR DISTRIBUTOR.
4. WHEN THE HIGH VOLTAGE CIRCUITRY IS OPERATING PROPERLY THERE IS NO POSSIBILITY OF AN X-RADIATION PROBLEM. EVERY TIME A COLOR CHASSIS IS SERVICED, THE BRIGHTNESS SHOULD BE RUN UP AND DOWN WHILE MONITORING THE HIGH VOLTAGE WITH A METER TO BE CERTAIN THAT THE HIGH VOLTAGE DOES NOT EXCEED THE SPECIFIED VALUE AND THAT IT IS REGULATING CORRECTLY, WE SUGGEST THAT YOU AND YOUR SERVICE ORGANIZATION REVIEW TEST PROCEDURES SO THAT VOLTAGE REGULATION IS ALWAYS CHECKED AS A STANDARD SERVICING PROCEDURE. AND THAT THE HIGH VOLTAGE READING BE RECORDED ON EACH CUSTOMER'S INVOICE.
5. WHEN TROUBLESHOOTING AND MAKING TEST MEASUREMENTS IN A PRODUCT WITH A PROBLEM OF EXCESSIVE HIGH VOLTAGE, AVOID BEING UNNECESSARILY CLOSE TO THE PICTURE TUBE AND THE HIGH VOLTAGE SUPPLY. DO NOT OPERATE THE PRODUCT LONGER THAN IS NECESSARY TO LOCATE THE CAUSE OF EXCESSIVE VOLTAGE.
6. REFER TO HV. B+ AND SHUTDOWN ADJUSTMENT PROCEDURES DESCRIBED IN THE APPROPRIATE SCHEMATIC AND DIAGRAMS (WHERE USED).

SUBJECT: IMPLSION

1. ALL DIRECT VIEWED PICTURE TUBES ARE EQUIPPED WITH AN INTEGRAL IMPLSION PROTECTION SYSTEM, BUT CARE SHOULD BE TAKEN TO AVOID DAMAGE DURING INSTALLATION, AVOID SCRATCHING THE TUBE. IF SCRATCHED REPLACE IT.
2. USE ONLY RECOMMENDED FACTORY REPLACEMENT TUBES.

SUBJECT : TIPS ON PROPER INSTALLATION

1. NEVER INSTALL ANY PRODUCT IN A CLOSED-IN RECESS, CUBBY-HOLE OR CLOSELY FITTING SHELF SPACE. OVER OR CLOSE TO HEAT DUCT, OR IN THE PATH OF HEATED AIR FLOW.
2. AVOID CONDITIONS OF HIGH HUMIDITY SUCH AS: OUTDOOR PATIO INSTALLATIONS WHERE DEW IS A FACTOR, NEAR STEAM RADIATORS WHERE STEAM LEAKAGE IS A FACTOR, ETC.
3. AVOID PALCEMENT WHERE DRAPERIES MAY OBSTRUCT REAR VENTING. THE CUSTOMER SHOULD ALSO AVOID THE USE OF DECORATIVE SCARVES OR OTHER COVERINGS WHICH MIGHT OBSTRUCT VENTILATION.
4. WALL AND SHELF MOUNTED INSTALLATIONS USING A COMMERCIAL MOUNTING KIT, MUST FOLLOW THE FACTORY APPROVED MOUNTING INSTRUCTIONS A PRODUCT MOUNTED TO A SHELF OR PLATFORM MUST RETAIN ITS ORIGINAL FEET (OR THE EQUIVALENT THICKNESS IN SPACERS) TO PROVIDE ADEQUATE AIR FLOW ACROSS THE BOTTOM, BOLTS OR SCREWS USED FOR FASTENERS MUST NOT TOUCH ANY PARTS OR WIRING. PERFORM LEAKAGE TEST ON CUSTOMIZED INSTALLATIONS.
5. CAUTION CUSTOMERS AGAINST THE MOUNTING OF A PRODUCT ON SLOPING SHELF OR A TILTED POSITION, UNLESS THE PRODUCT IS PROPERLY SECURED.
6. A PRODUCT ON A ROLL-ABOUT CART SHOULD BE STABLE ON ITS MOUNTING TO THE CART. CAUTION THE CUSTOMER ON THE HAZARDS OF TRYING TO ROLL A CART WITH SMALL CASTERS ACROSS THRESHOLDS OR DEEP PILE CARPETS.
7. CAUTION CUSTOMERS AGAINST THE USE OF A CART OR STAND WHICH HAS NOT BEEN LISTED BY UNDERWRITERS LABORATORIES, INC. FOR USE WITH THEIR SPECIFIC MODEL OF TELEVISION RECEIVER OR GENERALLY APPROVED FOR USE WITH T.V.'S OF THE SAME OR LARGER SCREEN SIZE.
8. CAUTION CUSTOMERS AGAINST THE USE OF EXTENSION CORDS, EXPLAIN THAT A FOREST OF EXTENSIONS SPROUTING FROM A SINGLE OUTLET CAN LEAD TO DISASTROUS CONSEQUENCES TO HOME AND FAMILY.

SERVICING PRECAUTIONS

CAUTION : Before servicing the DVD covered by this service data and its supplements and addends, read and follow the **SAFETY PRECAUTIONS**. **NOTE :** if unforeseen circumstances create conflict between the following servicing precautions and any of the safety precautions in this publication, always follow the safety precautions.

Remembers Safety First:

General Servicing Precautions

1. Always unplug the DVD AC power cord from the AC power source before:
 - (1) Removing or reinstalling any component, circuit board, module, or any other assembly.
 - (2) Disconnection or reconnecting any internal electrical plug or other electrical connection.
 - (3) Connecting a test substitute in parallel with an electrolytic capacitor.
Caution : A wrong part substitution or incorrect polarity installation of electrolytic capacitors may result in an explosion hazard.
2. Do not spray chemicals on or near this DVD or any of its assemblies.
3. Unless specified otherwise in this service data, clean electrical contacts by applying an appropriate contact cleaning solution to the contacts with a pipe cleaner, cotton-tipped swab, or comparable soft applicator. Unless specified otherwise in this service data, lubrication of contacts is not required.
4. Do not defeat any plug/socket B+ voltage interlocks with which instruments covered by this service manual might be equipped.
5. Do not apply AC power to this DVD and/or any of its electrical assemblies unless all solid-state device heat sinks are correctly installed.
6. Always connect test instrument ground lead to the appropriate ground before connection the test instrument positive lead. Always remove the test instrument ground lead last.

Insulation Checking Procedure

Disconnect the attachment plug from the AC outlet and turn the power on. Connect an insulation resistance meter(500V) to the blades of the attachment plug. The insulation resistance between each blade of the attachment plug and accessible conductive parts (Note 1) should be more than 1M-ohm.

Note 1 : Accessible Conductive Parts including Metal panels, Input terminals, Earphone jacks, etc.

Electrostatically Sensitive (ES) Devices

Some semiconductor (solid state) devices can be damaged easily by static electricity. Such components commonly are called Electrostatically Sensitive (ES) Devices. Examples of typical ES devices are integrated circuits and some field effect transistors and semiconductor chip components.

The following techniques should be used to help reduce the incidence of component damage caused by static electricity.

1. Immediately before handling any semiconductor component or semiconductor-equipped assembly, drain off any electrostatic charge on your body by touching a known earth ground. Alternatively, obtain and wear a commercially available discharging wrist strap device, which should be removed for potential shock reasons prior to applying power to the unit under test.
2. After removing an electrical assembly equipped with ES devices, place the assembly on a conductive surface such as aluminum foil, to prevent electrostatic charge buildup or exposure of the assembly.
3. Use only a grounded-tip soldering iron to solder or unsolder ES devices.
4. Use only an anti-static solder removal device. Some solder removal devices not classified a "anti-static" can generate electrical charges sufficient to damage ES devices.
5. Do not use freon-propelled chemicals. These can generate electrical charge sufficient to damage ES devices.
6. Do not remove a replacement ES device from its protective package until immediately before you are ready to install it. (Most replacement ES devices are packaged with leads electrically shorted together by conductive foam, aluminum foil, or comparable conductive material).
7. Immediately before removing the protective material from the leads of a replacement ES device, touch the protective material to the chassis or circuit assembly into which the device will be installed.

Caution : Be sure no power is applied to the chassis or circuit, and observe all other safety precautions.

8. Minimize bodily motions when handling unpackaged replacement ES devices. (Normally harmless motion such as the brushing together of your clothes fabric or the lifting of your foot from a carpeted floor can generate static electricity sufficient to damage an ES device.)

SPECIFICATIONS

• GENERAL

Power requirements:	AC 110-240 V , 50/60 Hz
Power consumption:	12W
Dimensions (Approx.):	430 x 39 x 242 mm (W x H x D) without foot
Weight (Approx.):	2.2 kg
Operating temperature:	5 °C to 35 °C (41 °F to 95 °F)
Operating humidity:	5 % to 90 %

• System

Laser:	Semiconductor laser, wavelength 650 nm
Signal system:	PAL / NTSC
Frequency response:	DVD (PCM 96 kHz): 8 Hz to 44 kHz DVD (PCM 48 kHz): 8 Hz to 22 kHz CD: 8 Hz to 20 kHz
Signal-to-noise ratio:	More than 100 dB (ANALOG OUT connectors only)
Harmonic distortion:	Less than 0.008%
Dynamic range:	More than 90 dB (DVD/CD)

• OUTPUTS

VIDEO OUT	1 Vp-p 75 Ω, sync negative, RCA jack x 1 /SCART (TO TV)
S-VIDEO OUT	(Y) 1.0 V (p-p), 75 Ω, negative sync, Mini DIN 4-pin x 1 (C) 0.3 V (p-p) 75 Ω
COMPONENT VIDEO OUT	(Y) 1.0 V (p-p), 75 Ω, negative sync, RCA jack x 1 (Cb/Pb)/(Cr/Pr) 0.7 V (p-p), 75 Ω, RCA jack x 2
AUDIO OUT	2.0 Vrms (1 KHz, 0 dB), 600 Ω, RCA jack (L, R) x 1 / SCART (TO TV)
DIGITAL OUT (COAXIAL)	0.5 V (p-p), 75 Ω, RCA jack x 1
DIGITAL OUT (OPTICAL)	3 V (p-p), 75 Ω, Optical Connector x 1

SECTION 2
CABINET & MAIN CHASSIS

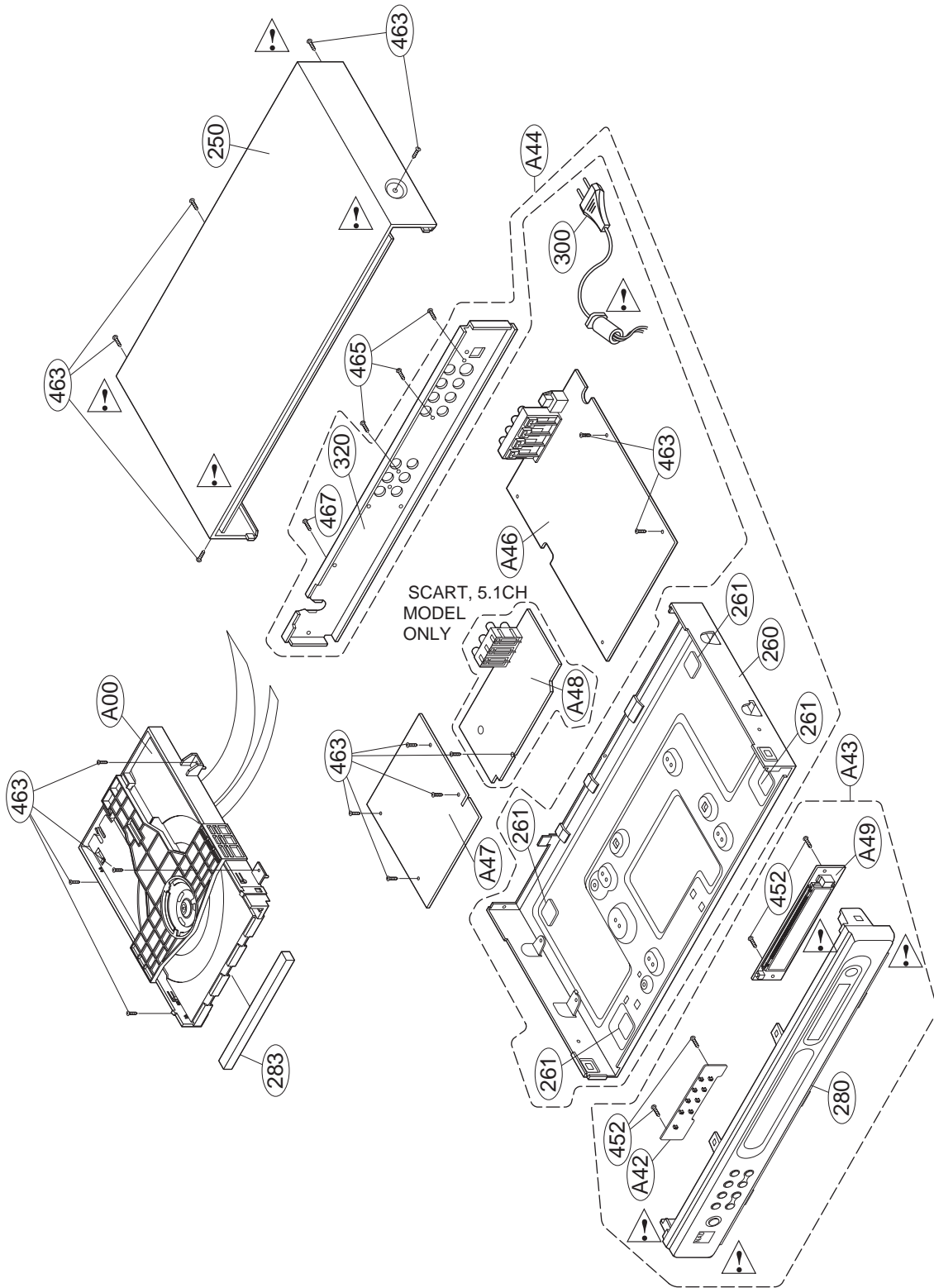
CONTENTS

- 1. EXPLODED VIEWS2-2**
 - 1. Cabinet and Main Frame Section2-2**
 - 2. Packing Accessory Section2-3**

EXPLODED VIEWS

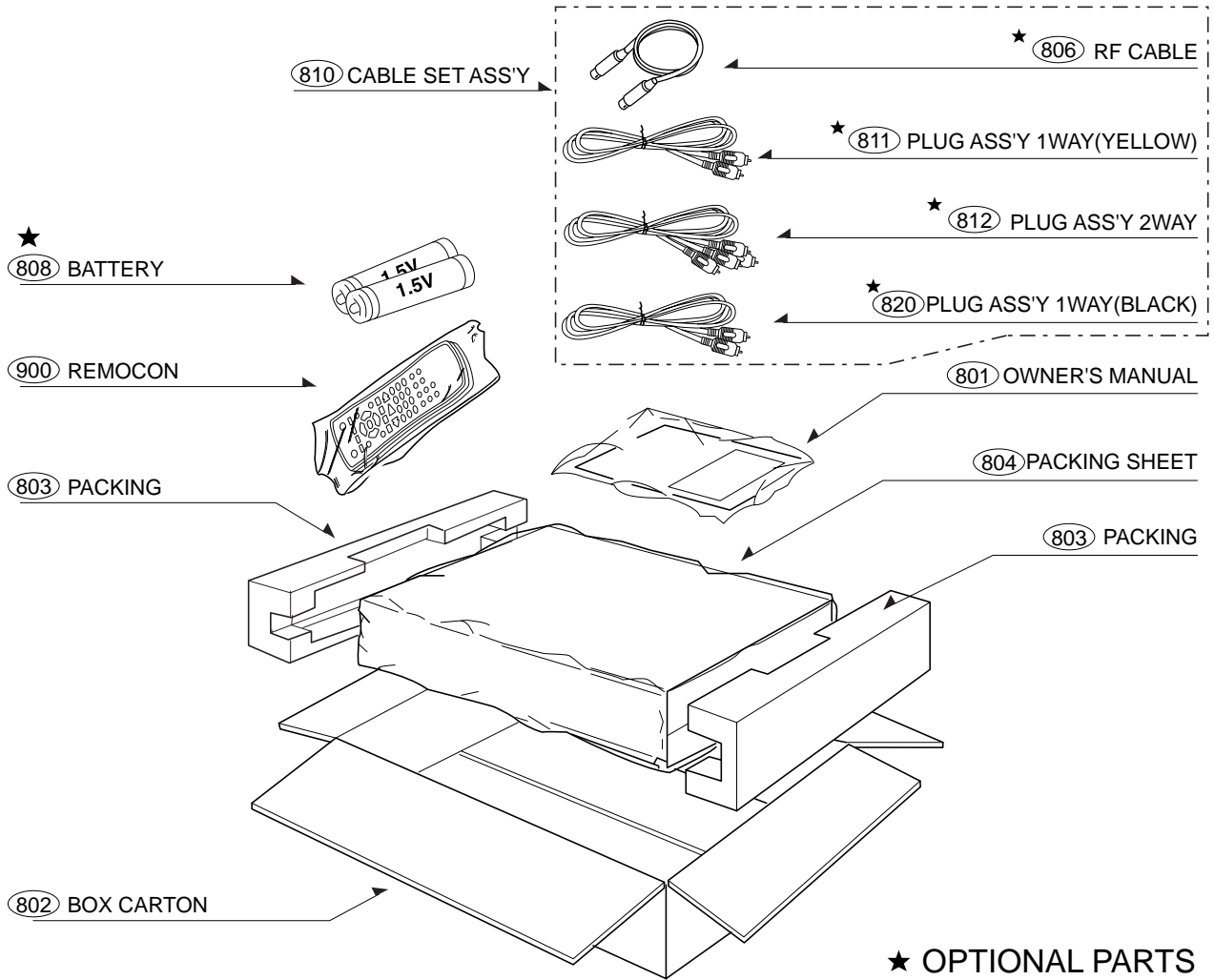
1. Cabinet and Main Frame Section

5
4
3
2
1



A B C D

2. Packing Accessory Section

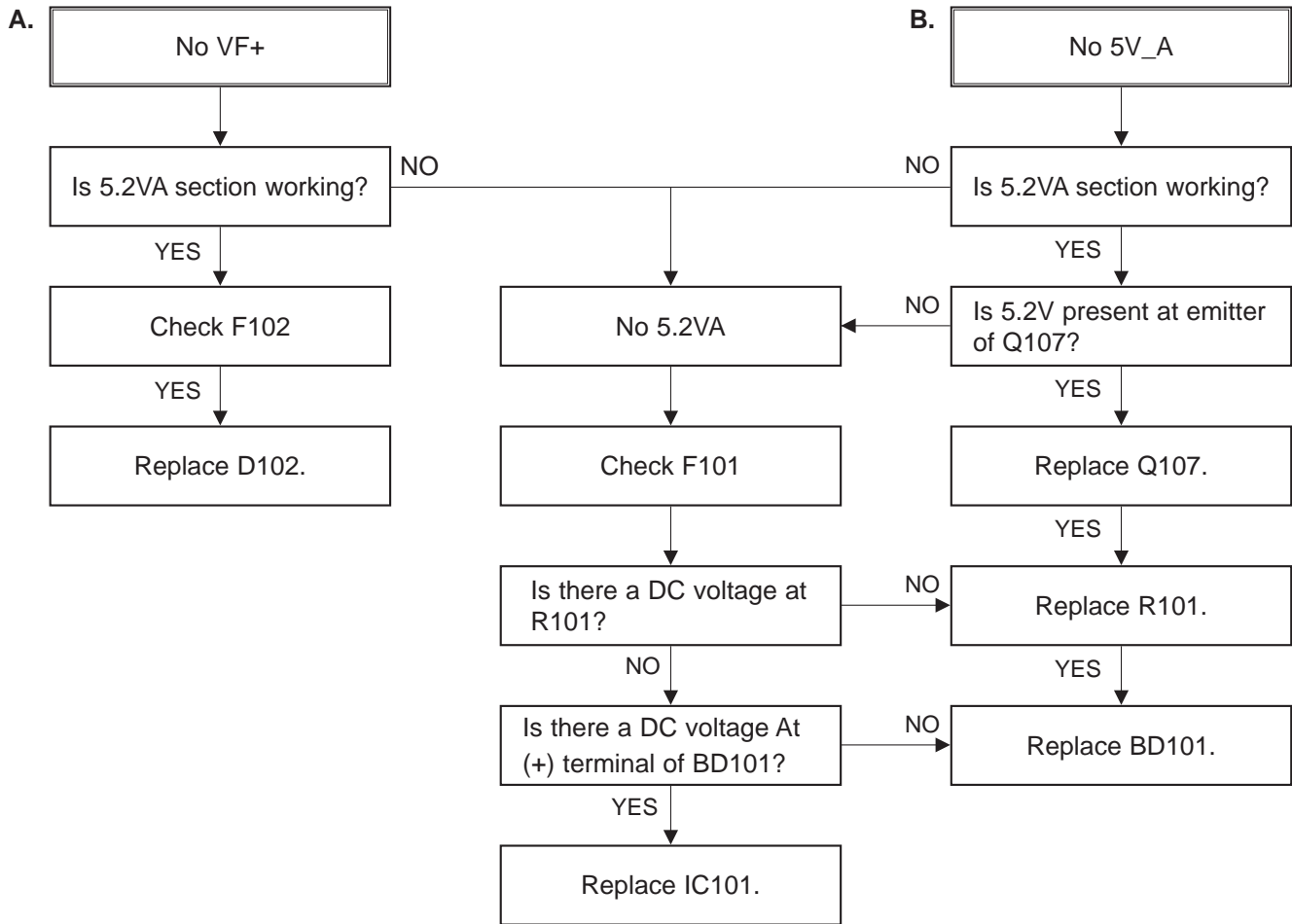


SECTION 3 ELECTRICAL CONTENTS

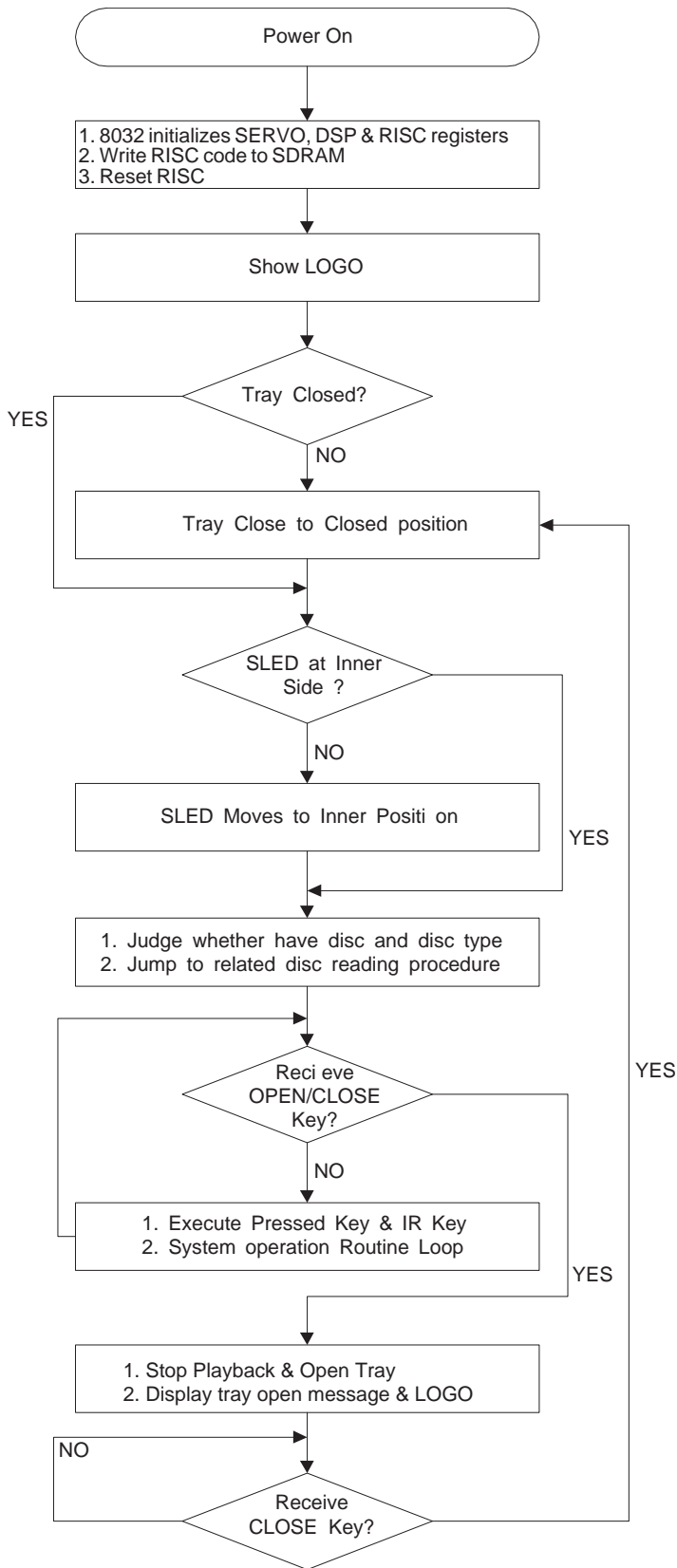
ELECTRICAL TROUBLESHOOTING GUIDE.....	3-2
1. Power check flow.....	3-2
2. System operation flow	3-3
3. Test & debug flow	3-4
DETAILS AND WAVEFORMS ON SYSTEM TEST AND DEBUGGING	3-10
1. SYSTEM 27MHz CLOCK, RESET, FLASH R/W SIGNAL	3-10
2. SDRAM CLOCK.....	3-12
3. TRAY OPEN/CLOSE SIGNAL	3-12
4. SLED CONTROL RELATED SIGNAL(NO DISC CONDITION)	3-13
5. LENS CONTROL RELATED SIGNAL(NO DISC CONDITION)	3-13
6. LASER POWER CONTROL RELATED SIGNAL(NO DISC CONDITION).....	3-14
7. DISC TYPE JUDGEMENT WAVEFORM	3-14
8. FOCUS ON WAVEFORM	3-16
9. SPINDLE CONTROL WAVEFORM(NO DISC CONDITION	3-17
10. TRACKING CONTROL RELATED SIGNAL(System checking).....	3-18
11. MT1389 AUDIO OPTICAL AND COAXIAL OUTPUT (SPDIF).....	3-19
12. MT1389 VIDEO OUTPUT WAVEFORM.....	3-19
13. MT1389 AUDIO OUTPUT TO AUDIO DAC.....	3-20
14. AUDIO OUTPUT FROM AUDIO DAC	3-21
BLOCK DIAGRAMS	3-22
1. Overall Block Diagram	3-22
2. Power(SMPS) Block Diagram	3-23
3. SERVO Block Diagram	3-24
4. MPEG & MEMORY Block Diagram	3-25
5. VIDEO & AUDIO Block Diagram	3-26
CIRCUIT DIAGRAMS	3-27
1. Power(SMPS) Circuit DIAGRAM.....	3-27
2. AV/JACK Circuit DIAGRAM.....	3-29
3. SYSTEM Circuit DIAGRAM	3-31
4. DRIVER Circuit DIAGRAM.....	3-33
5. TIMER Circuit DIAGRAM	3-35
6. 5.1CH Circuit DIAGRAM.....	3-37
• CIRCUIT VOLTAGE CHART	3-39
PRINTED CIRCUIT DIAGRAMS	3-41
1. MAIN P.C.BOARD	3-41
2. KEY P.C.BOARD.....	3-43
3. TIMER P.C.BOARD	3-44
4. JACK & 5.1CH I/O P.C.BOARD(OPTIONAL PART).....	3-45
5. SMPS P.C.BOARD	3-46

ELECTRICAL TROUBLESHOOTING GUIDE

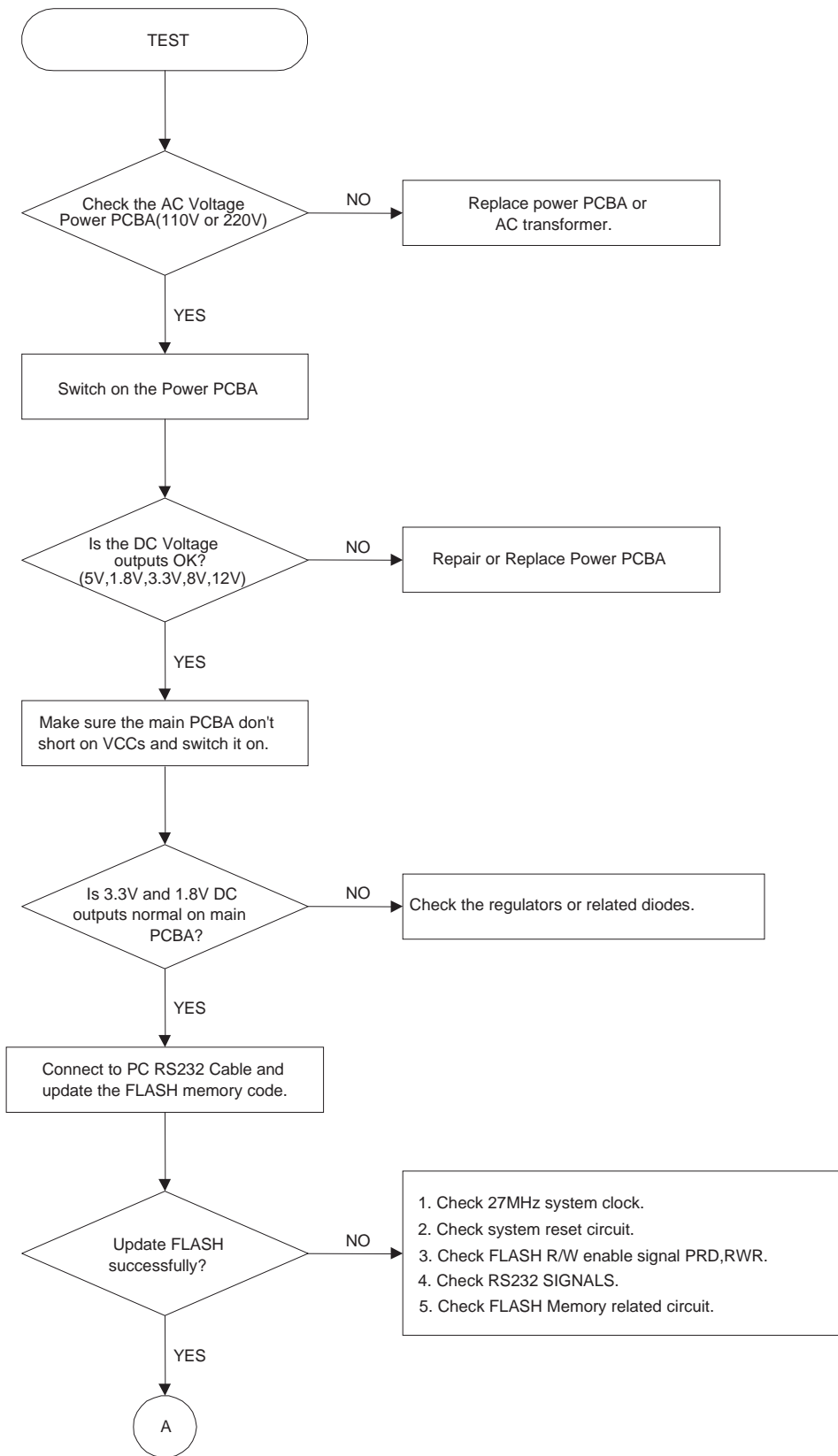
1. Power check flow

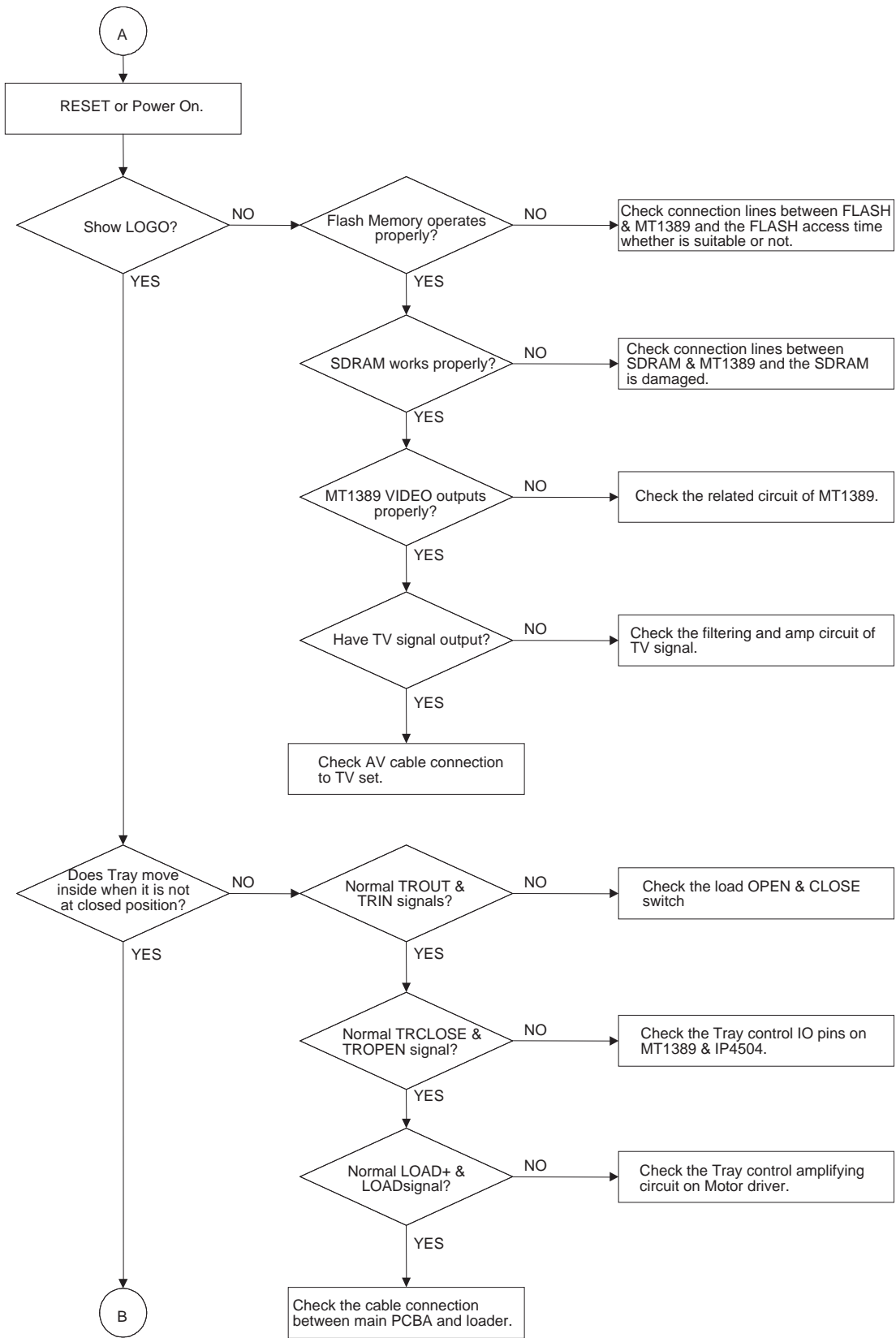


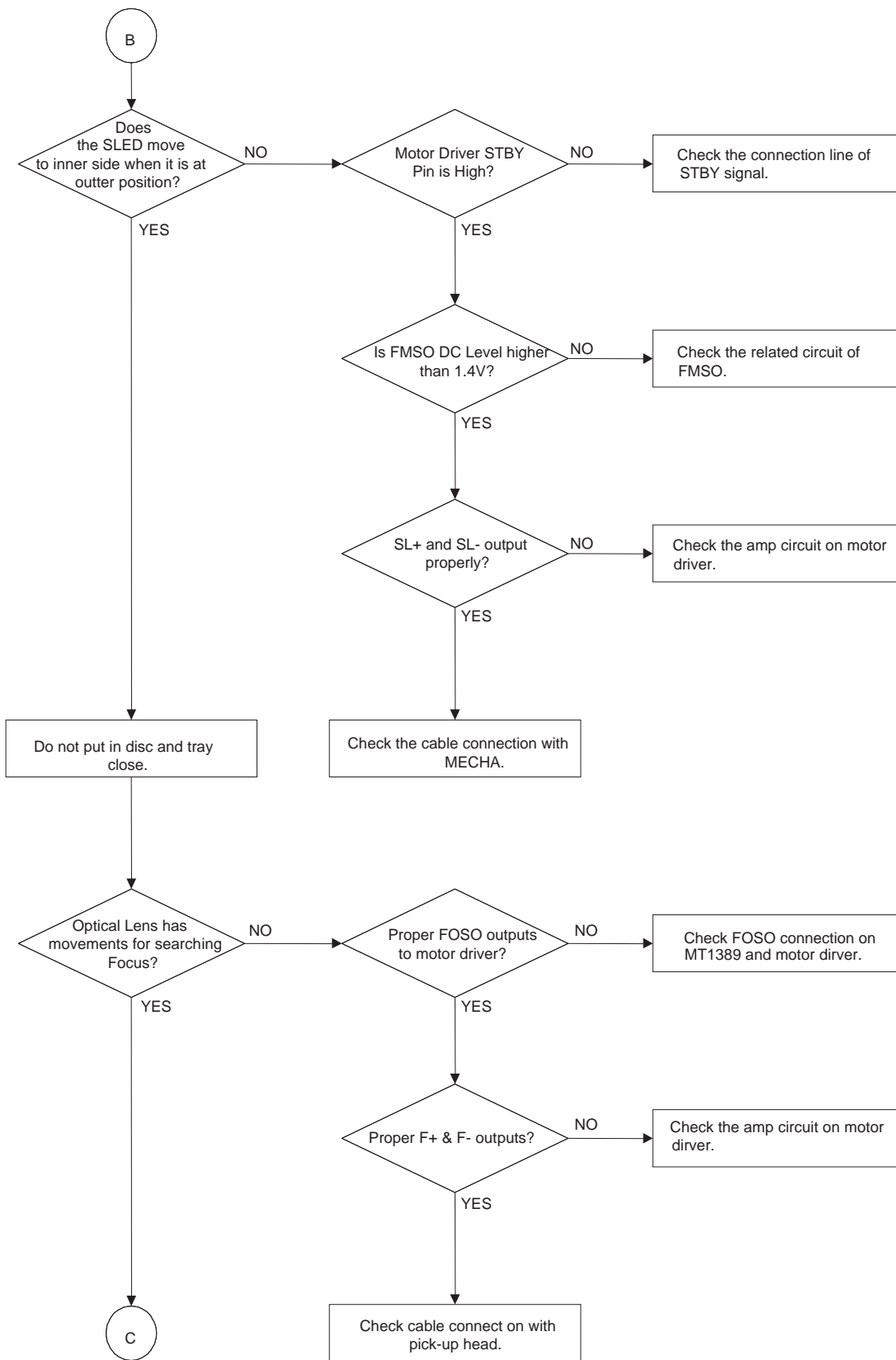
2. System operation flow

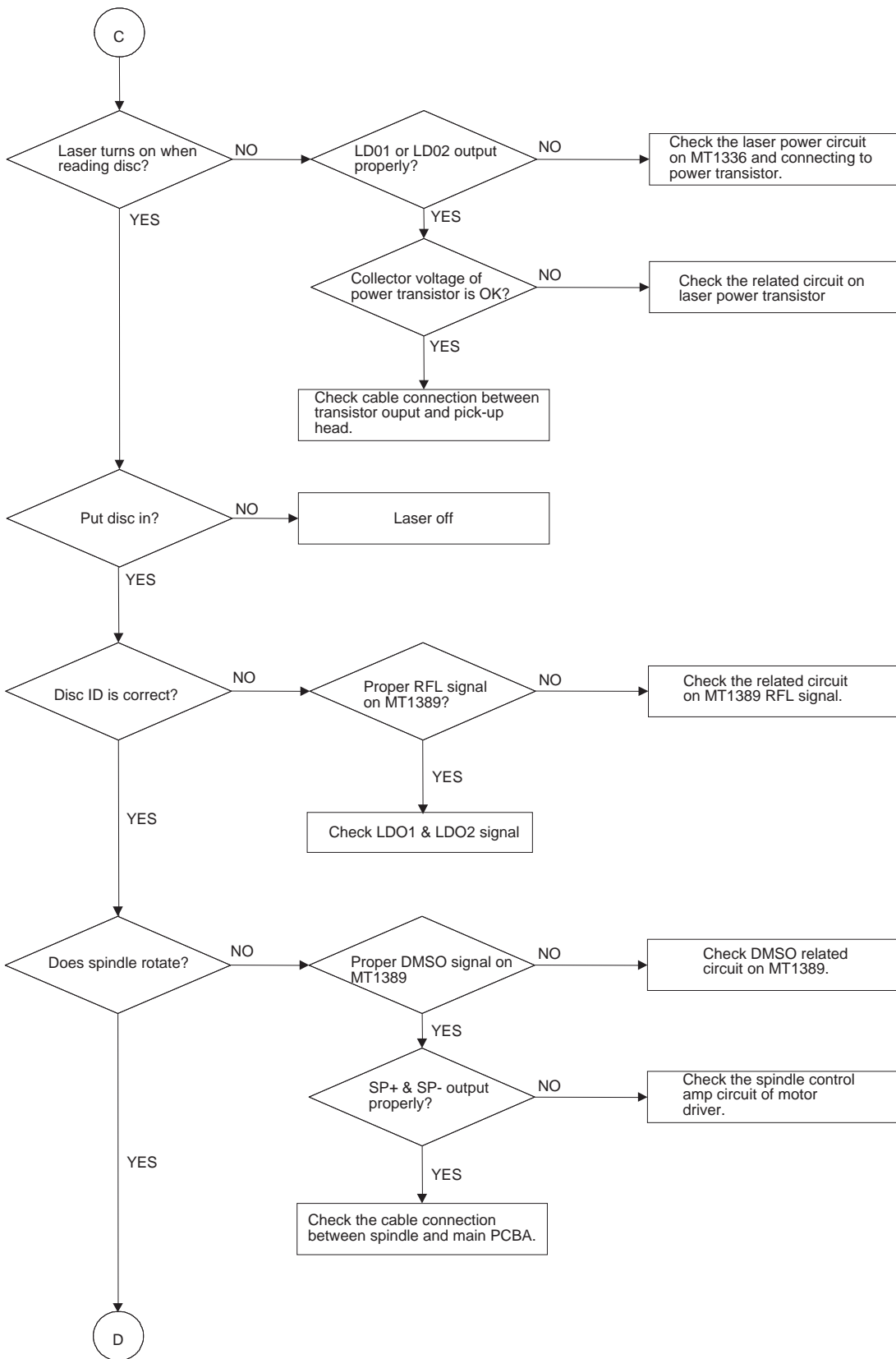


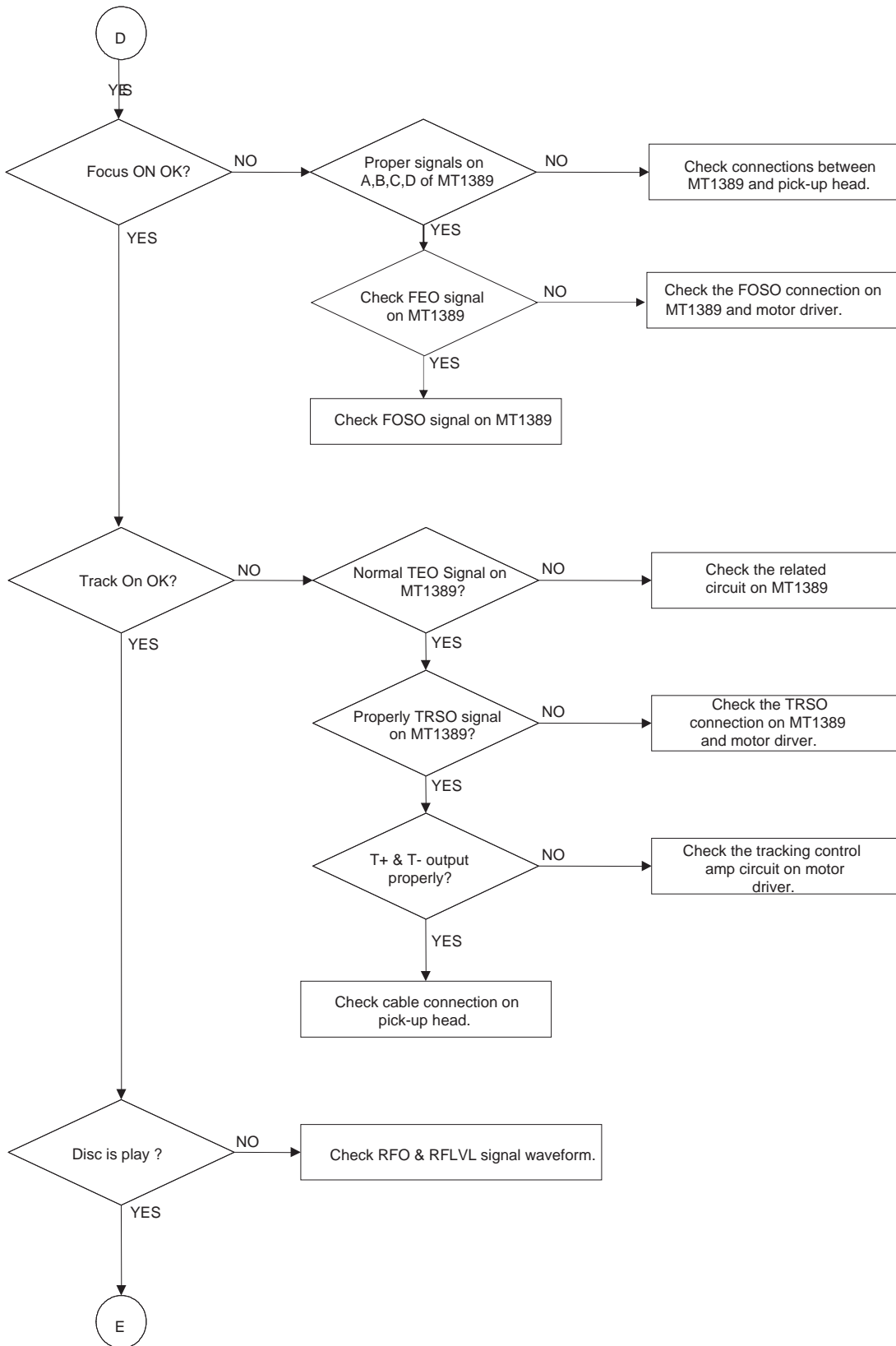
3. Test & debug flow

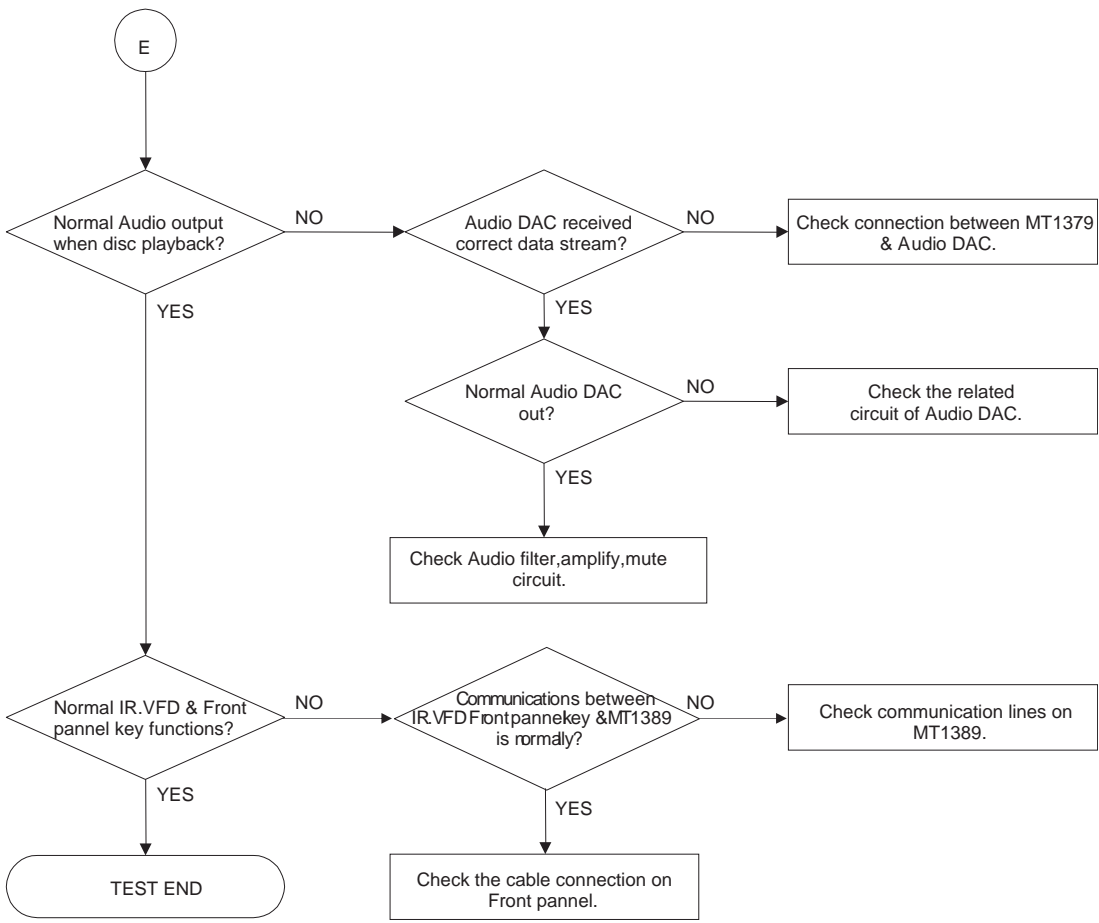












DETAILS AND WAVEFORMS ON SYSTEM TEST AND DEBUGGING

1. SYSTEM 27MHz CLOCK, RESET, FLASH R/W SIGNAL.

1) MT1389 main clock is at 27MHz(X501)

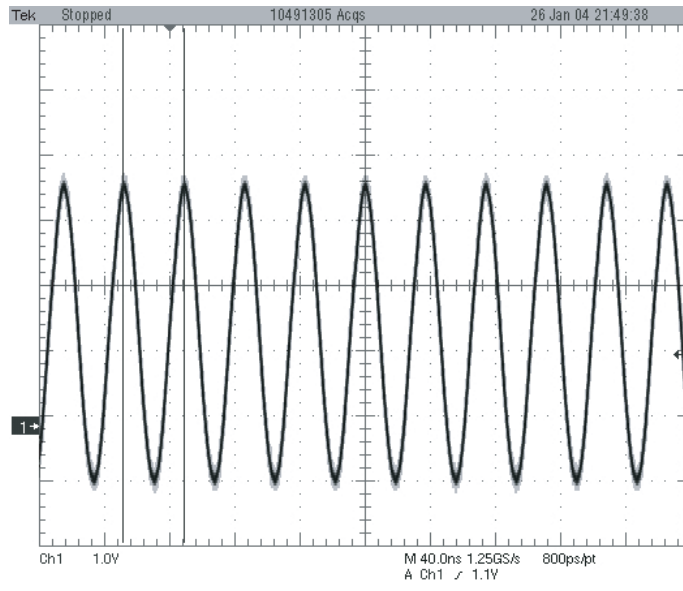


FIG 1-1

2) MT1389 reset is low active.

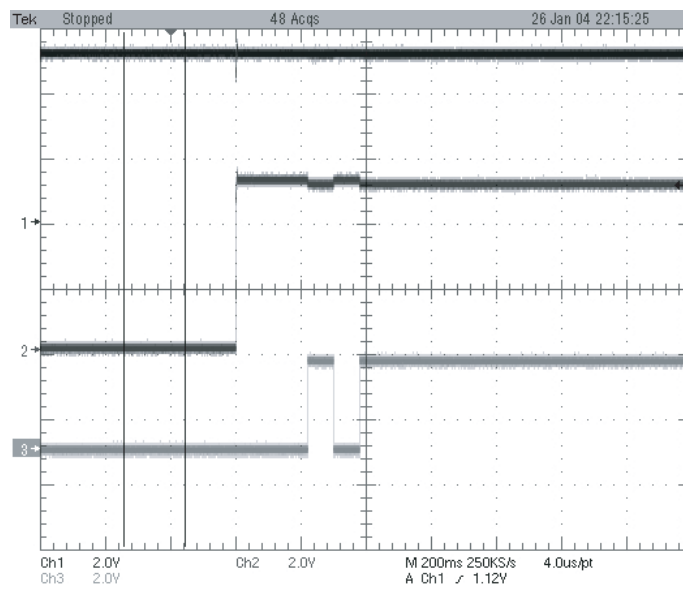


FIG 1-2

3) RS232 waveform during procedure(Downloading)

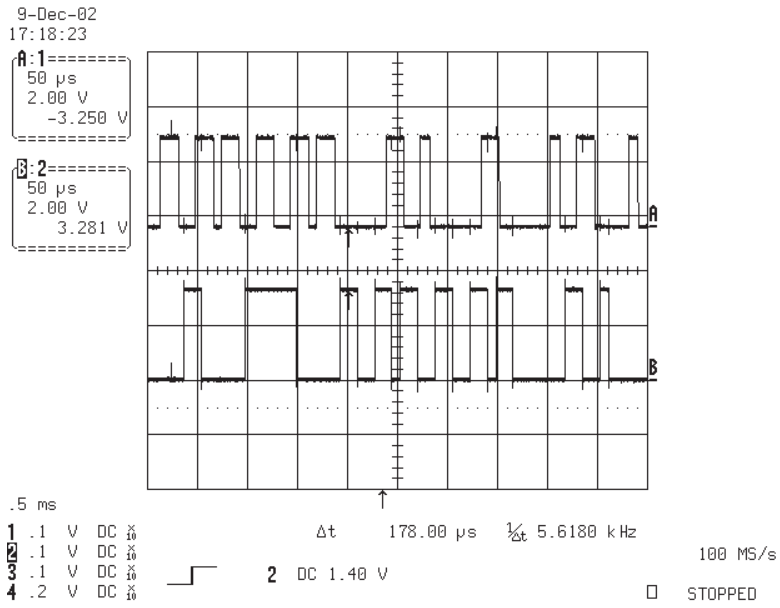


FIG 1-3

4) Flash R/W enable signal during download(Downloading)

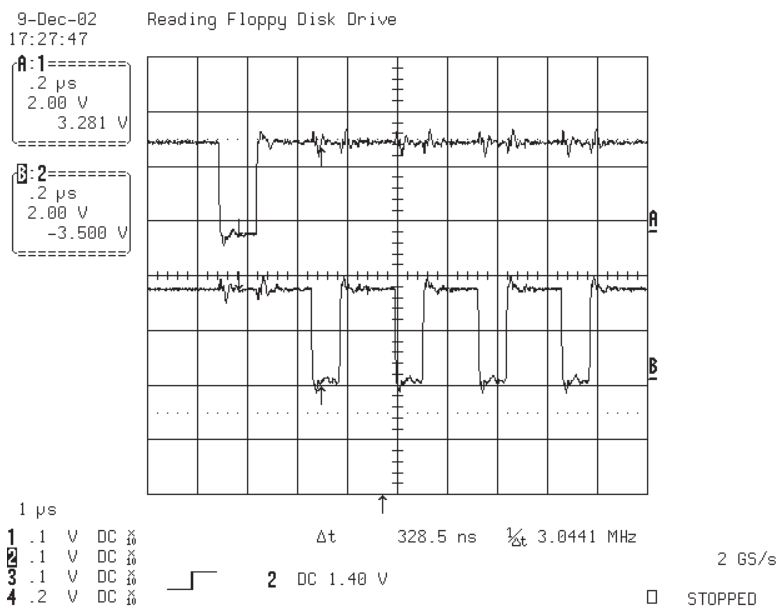


FIG 1-4

2. SDRAM CLOCK

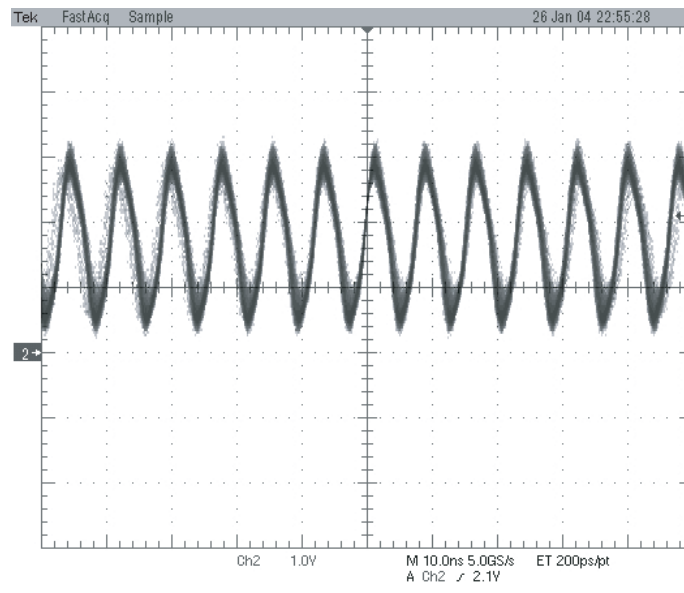


FIG 2-1

3. TRAY OPEN/CLOSE SIGNAL

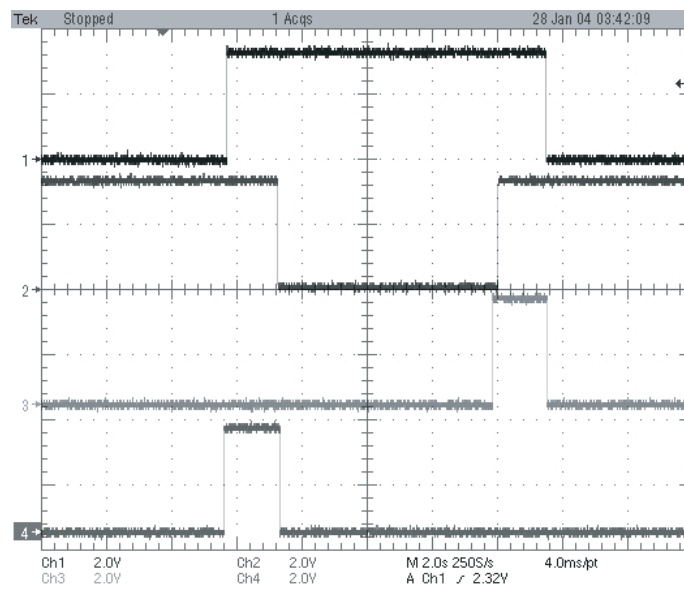


FIG 3-1

4. SLED CONTROL RELATED SIGNAL (NO DISC CONDITION)

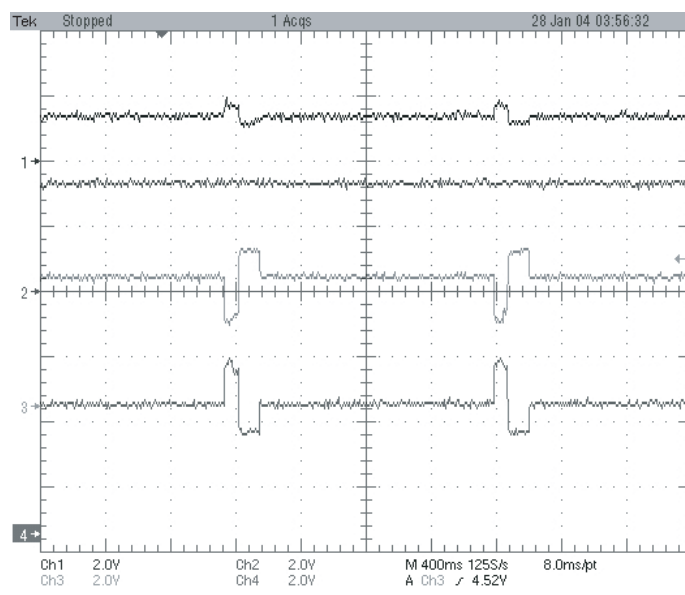


FIG 4-1

5. LENS CONTROL RELATED SIGNAL(NO DISC CONDITION)

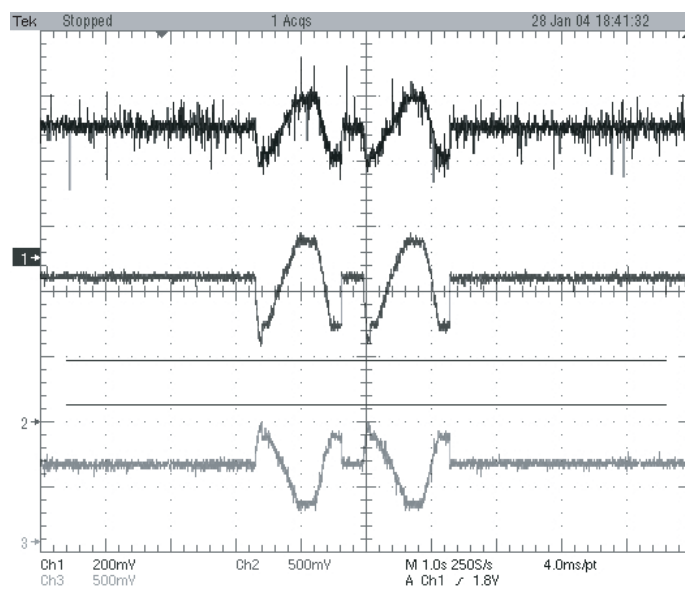


FIG 5-1

6. LASER POWER CONTROL RELATED SIGNAL (NO DISC CONDITION)

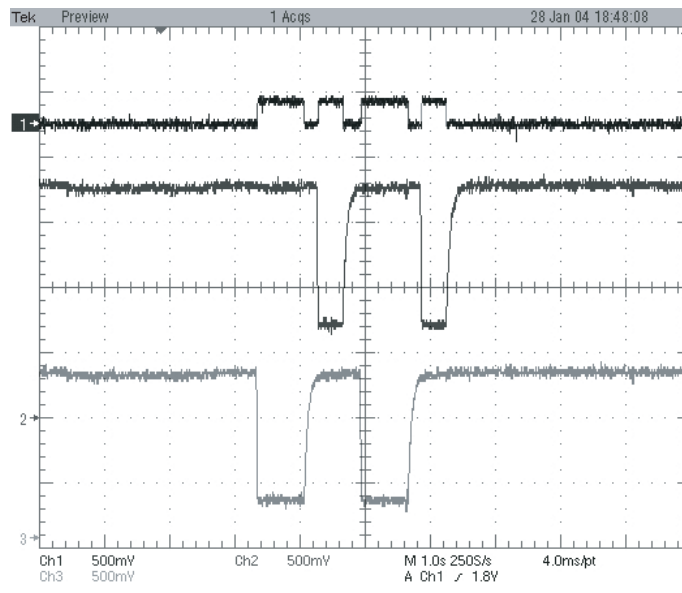


FIG 6-1

7. DISC TYPE JUDGEMENT WAVEFORM

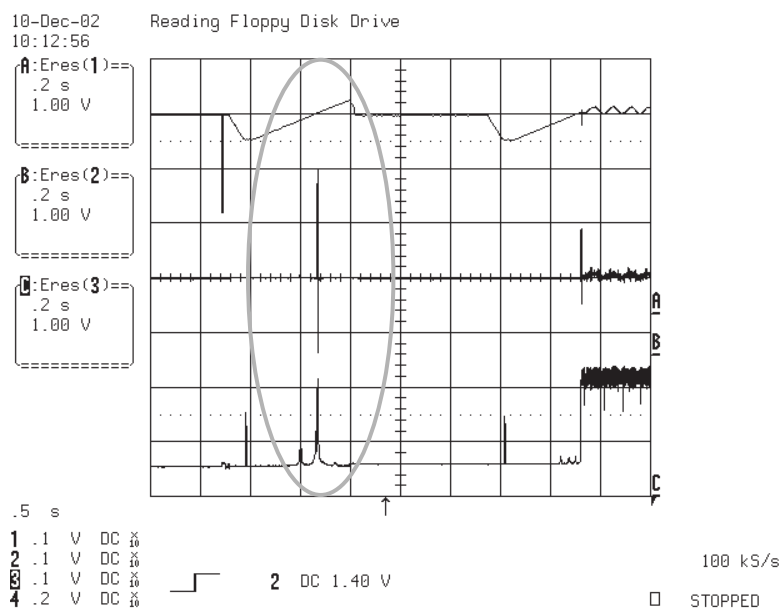


FIG 7-1

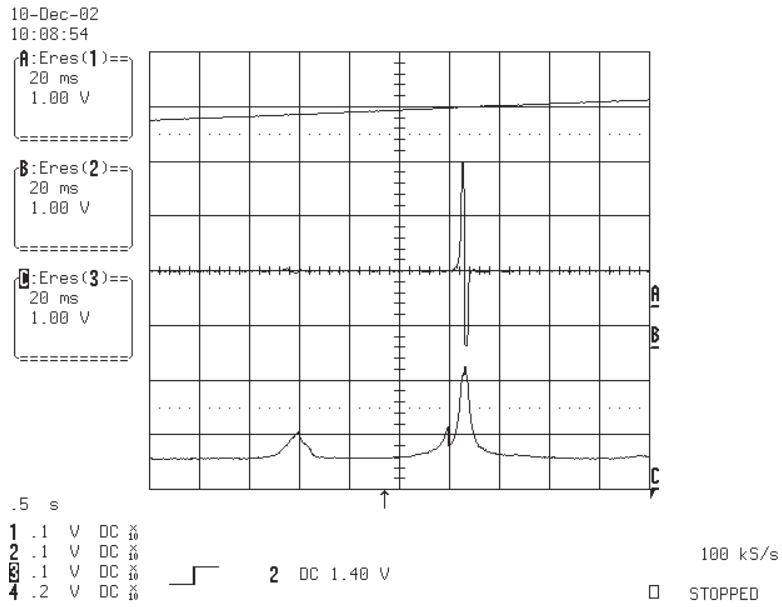


FIG 7-2 (DVD)

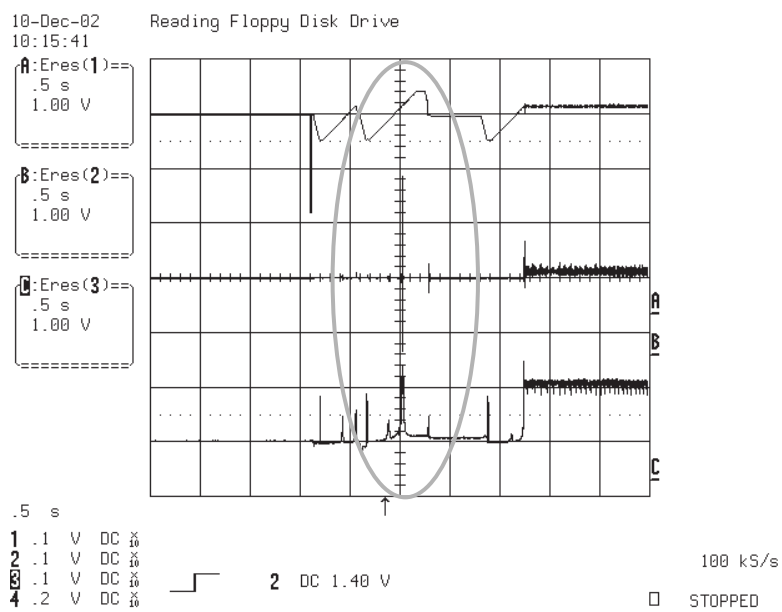


FIG 7-3 (CD)

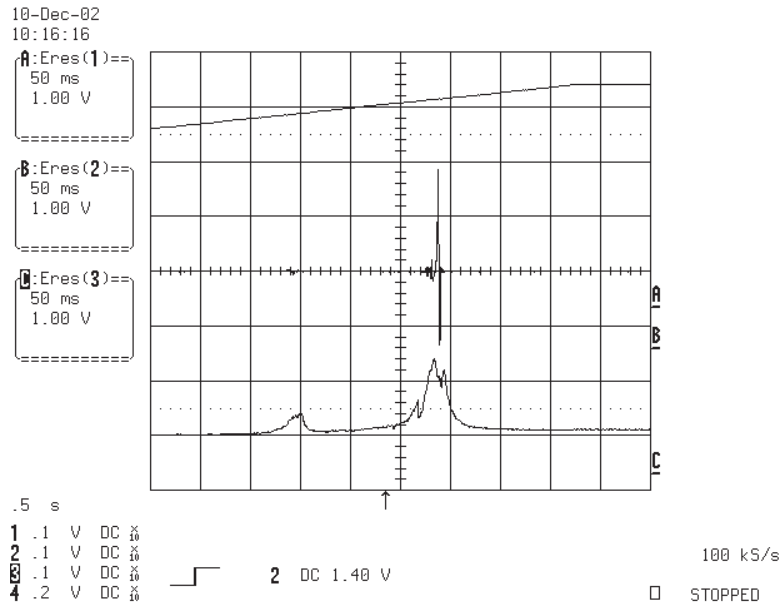


FIG 7-4 (CD)

8. FOCUS ON WAVEFORM

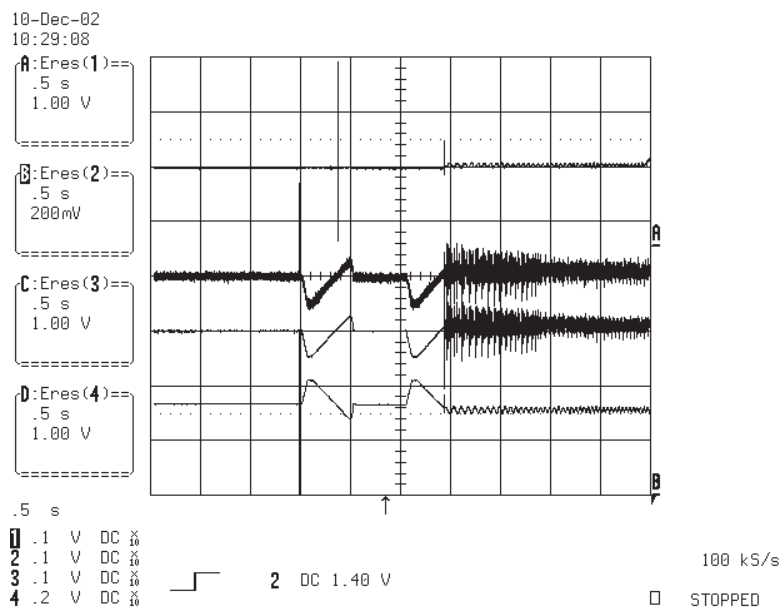


FIG 8-1 (DVD)

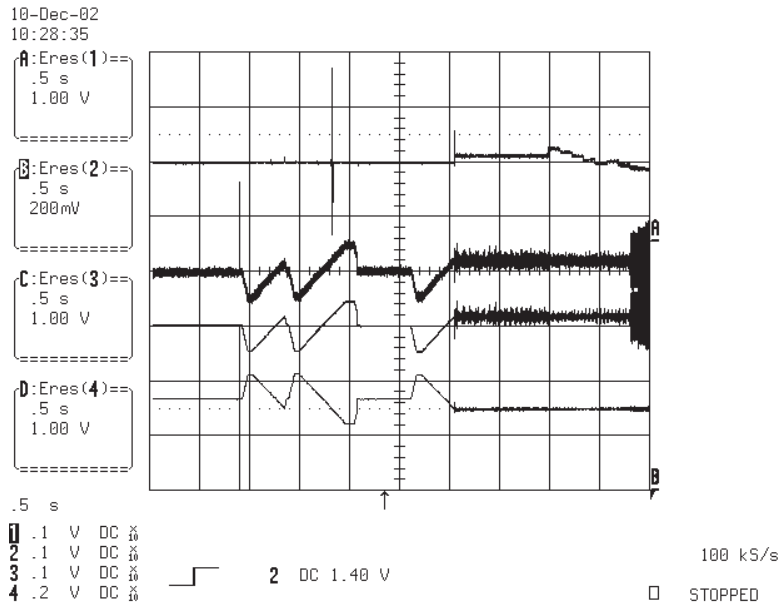


FIG 8-2 (CD)

9. SPINDLE CONTROL WAVEFORM (NO DISC CONDITION)

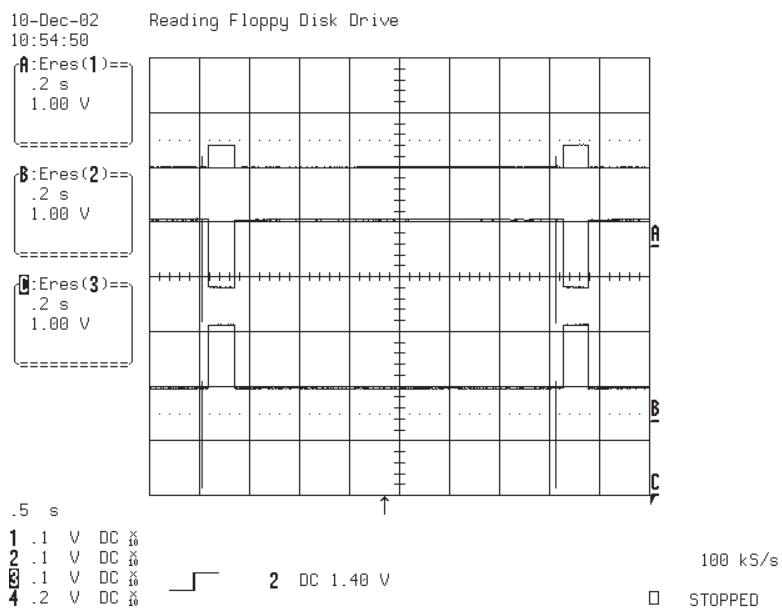


FIG 9-1

10. TRACKING CONTROL RELATED SIGNAL(System checking)

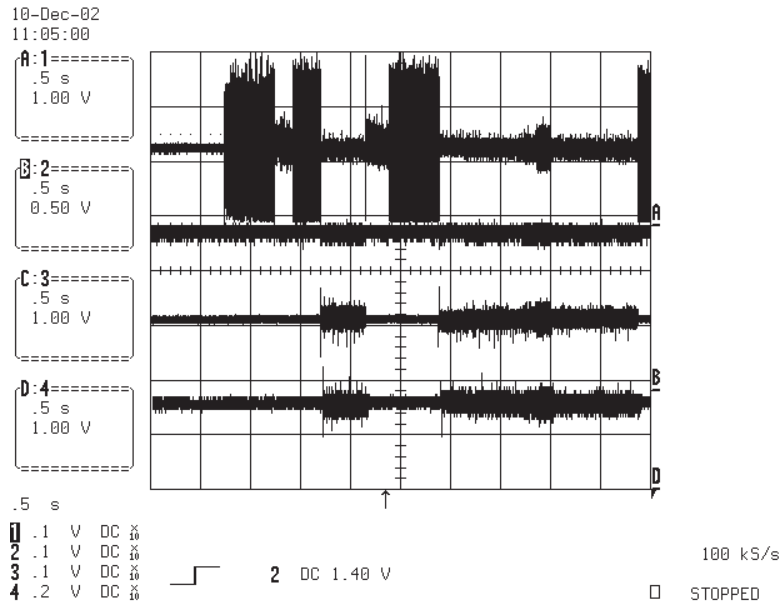


FIG 10-1 (DVD)

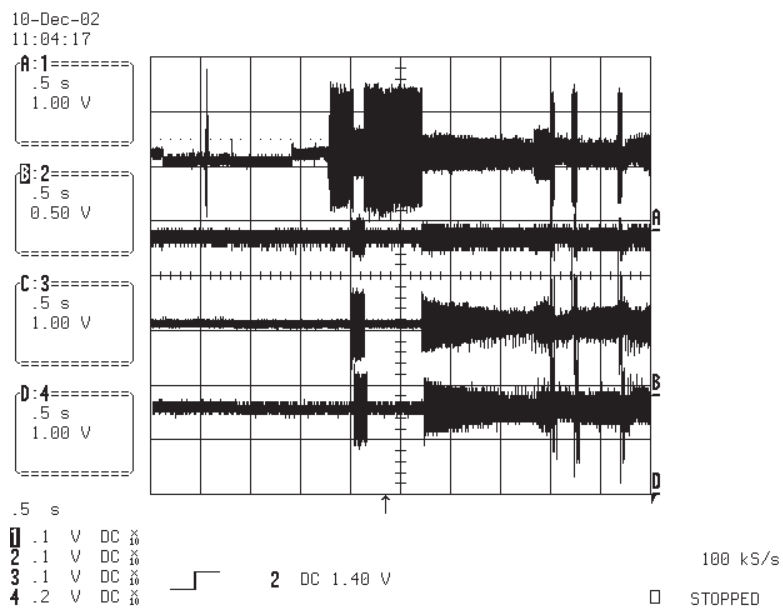


FIG 10-2 (CD)

11. MT1389 AUDIO OPTICAL AND COAXIAL OUTPUT (SPDIF)

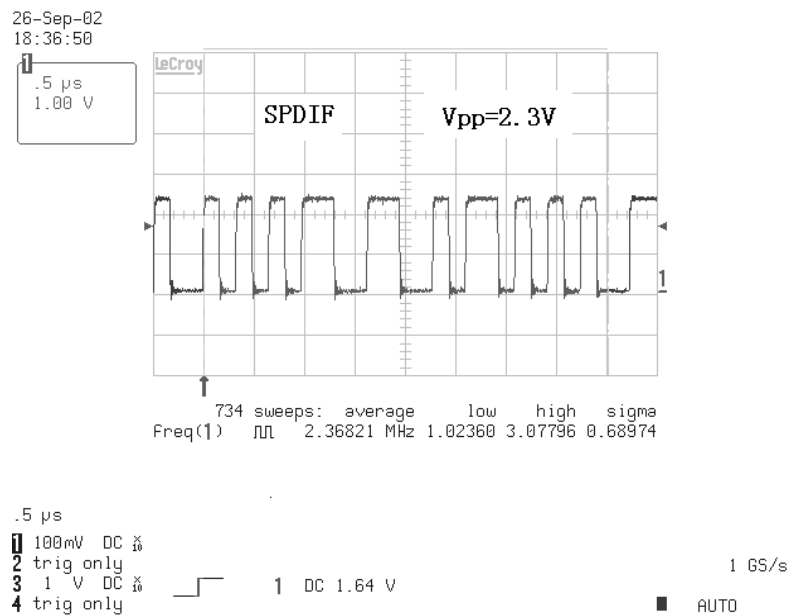


FIG 11-1 (DVD)

12. MT1389 VIDEO OUTPUT WAVEFORM

1) 100%

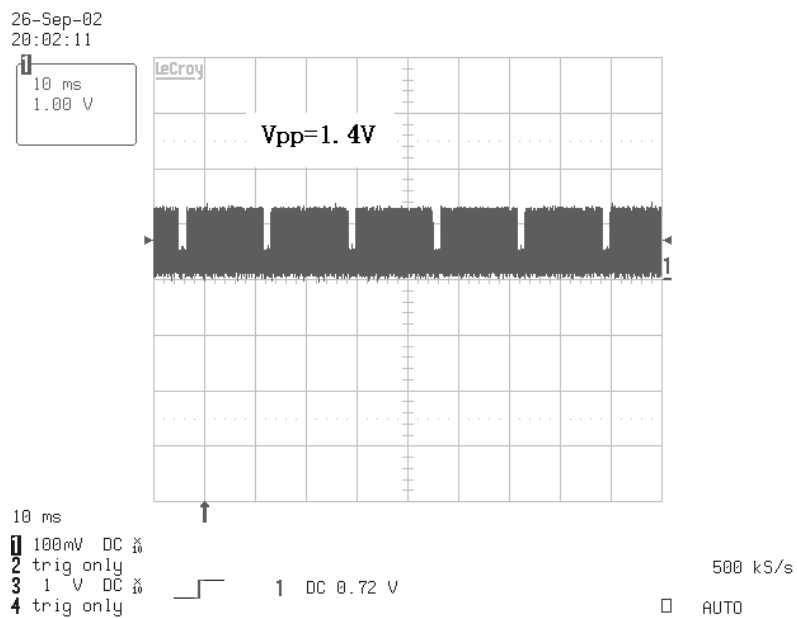


FIG 12-1

2) COMPOSITE VIDEO SIGNAL

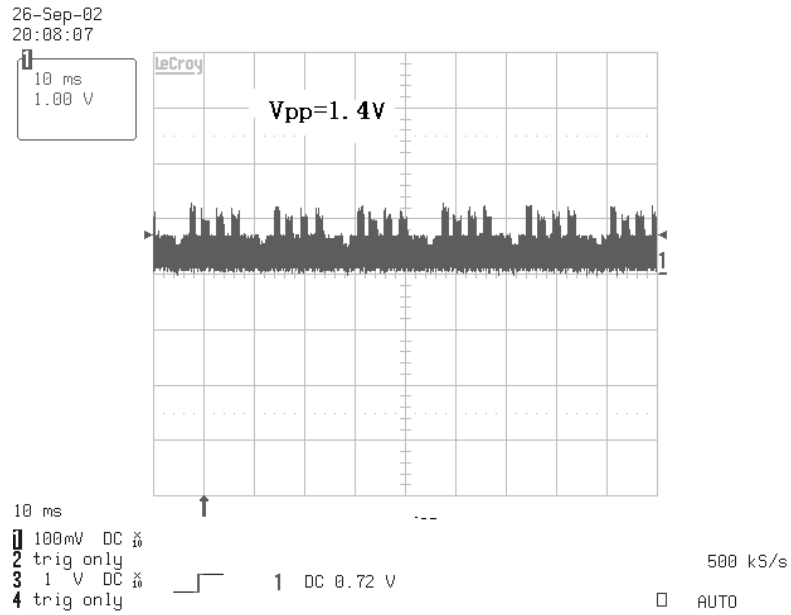


FIG 12-2

13. MT1389 AUDIO OUTPUT TO AUDIO DAC

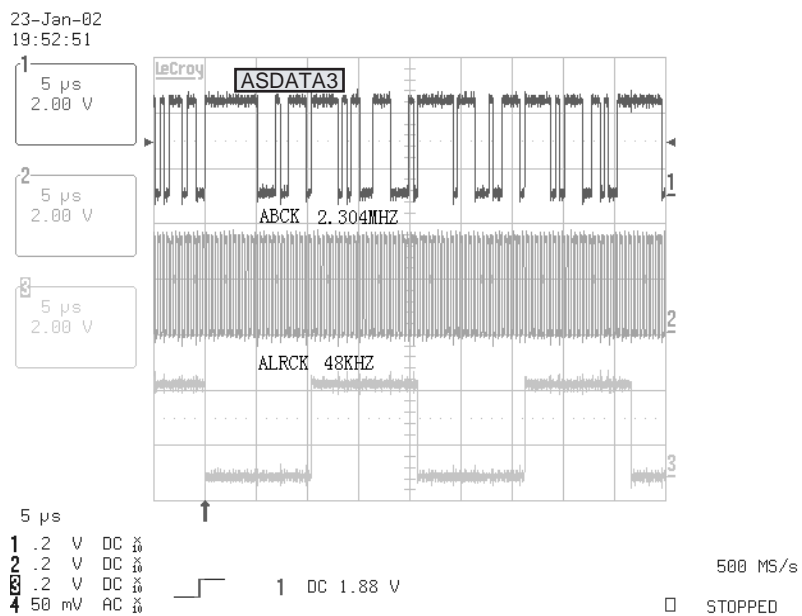


FIG 13-1

14. AUDIO OUTPUT FROM AUDIO DAC

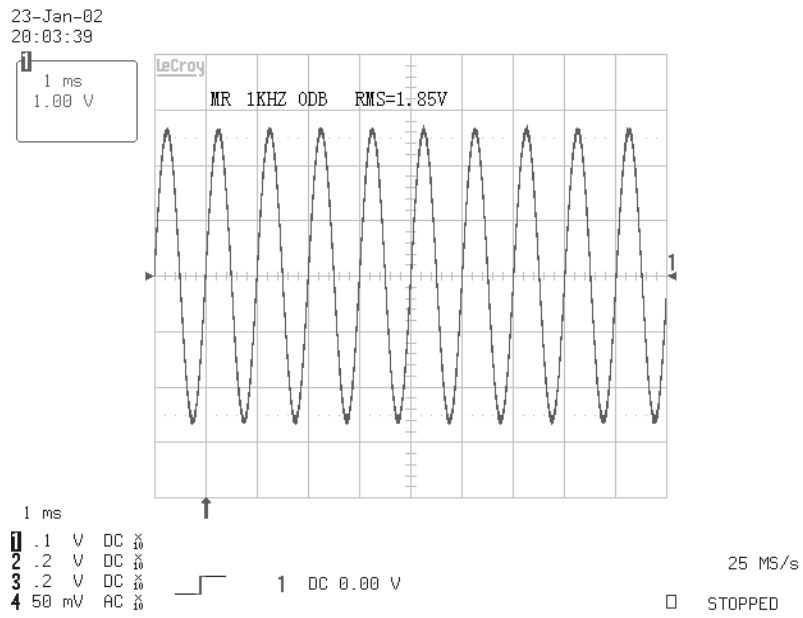
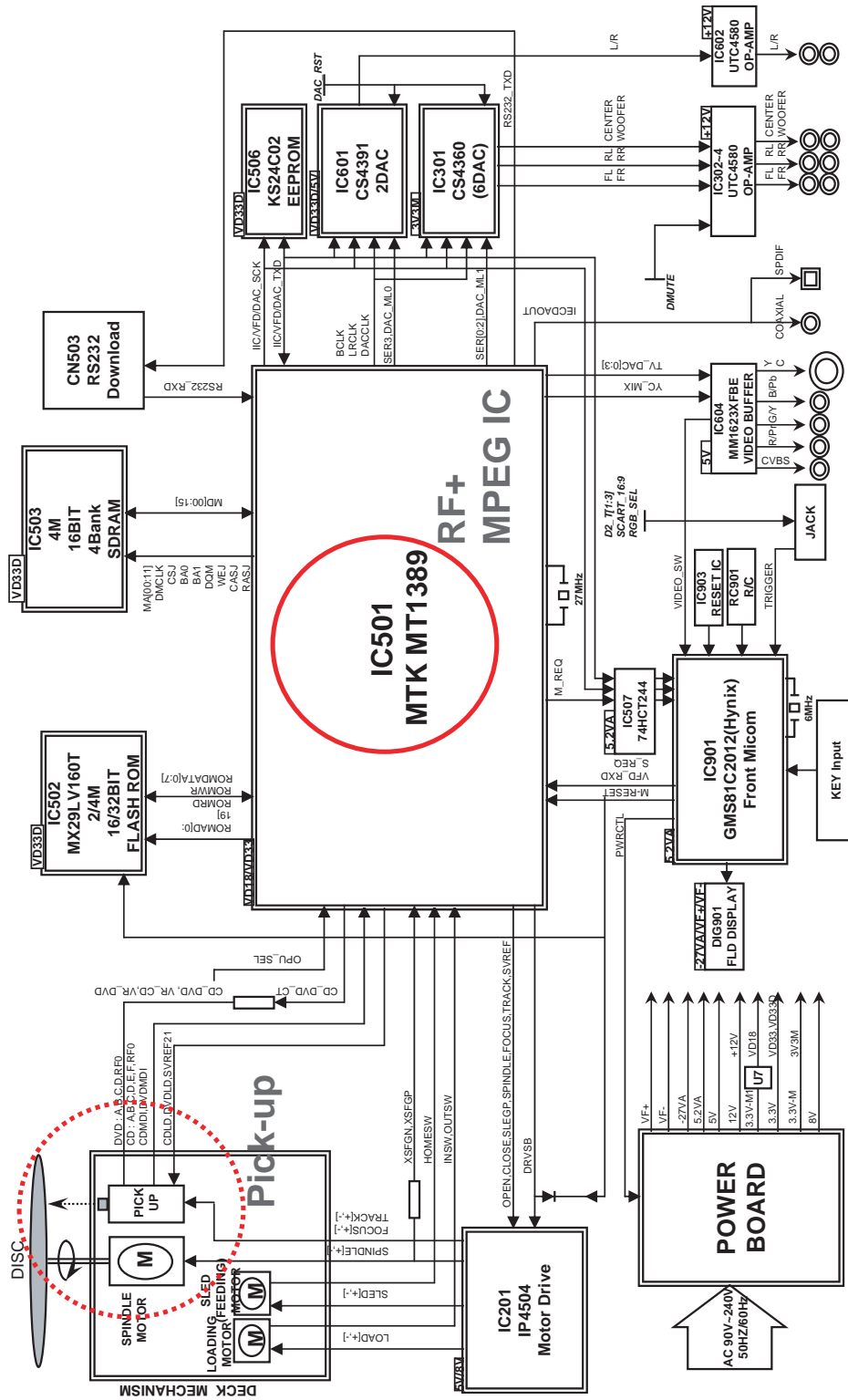


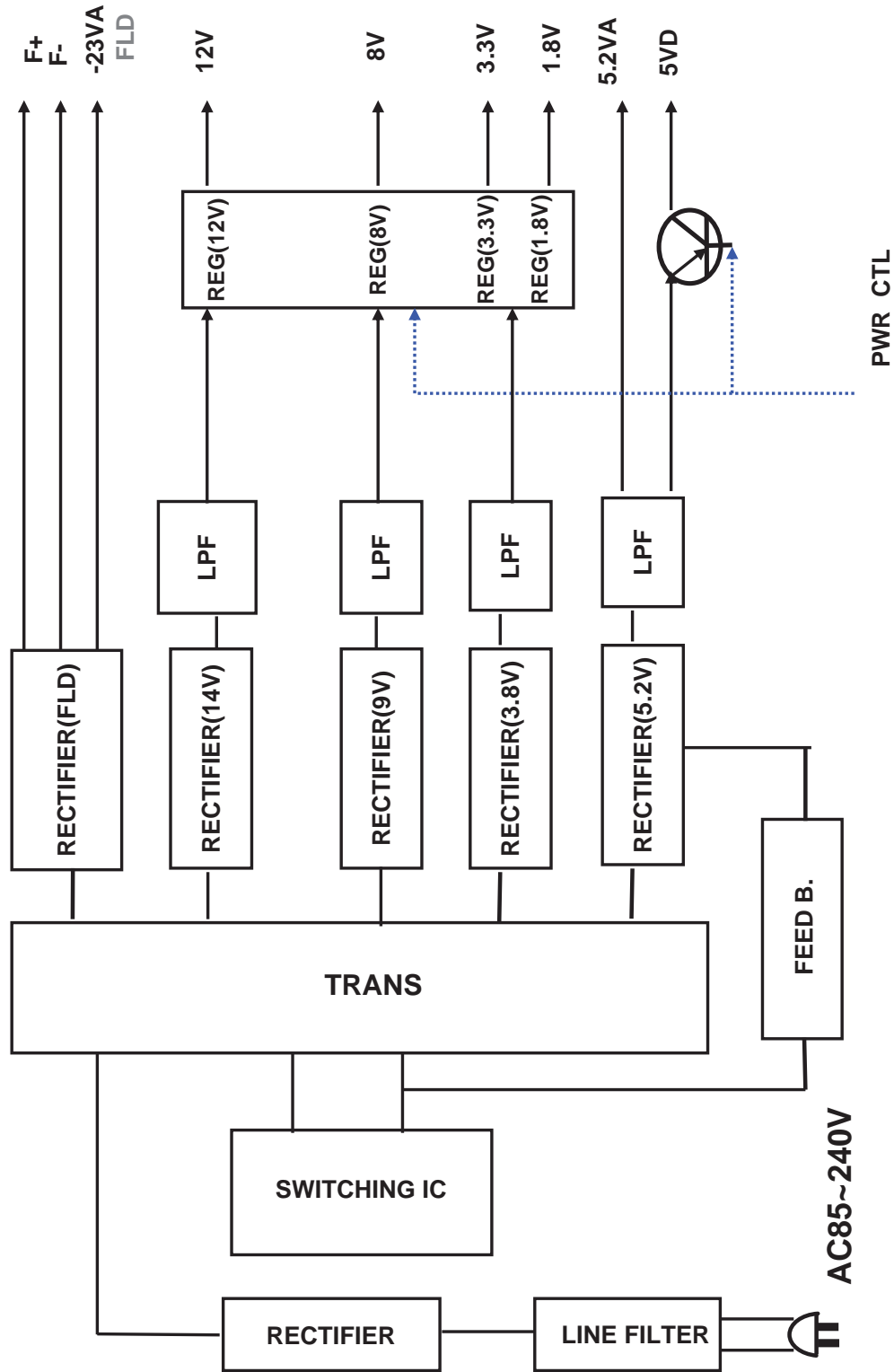
FIG 14-1

BLOCK DIAGRAMS

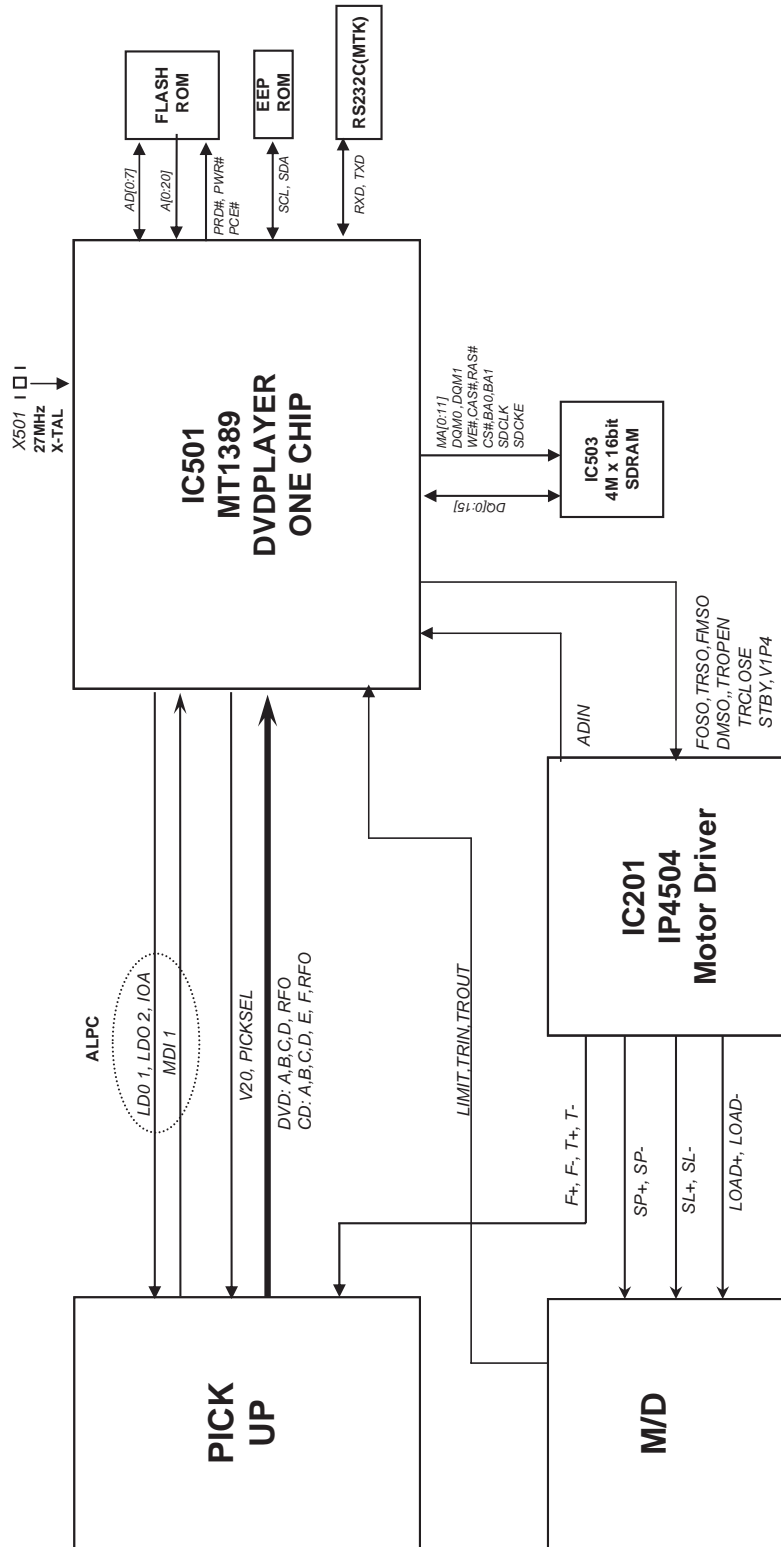
1. Overall Block Diagram



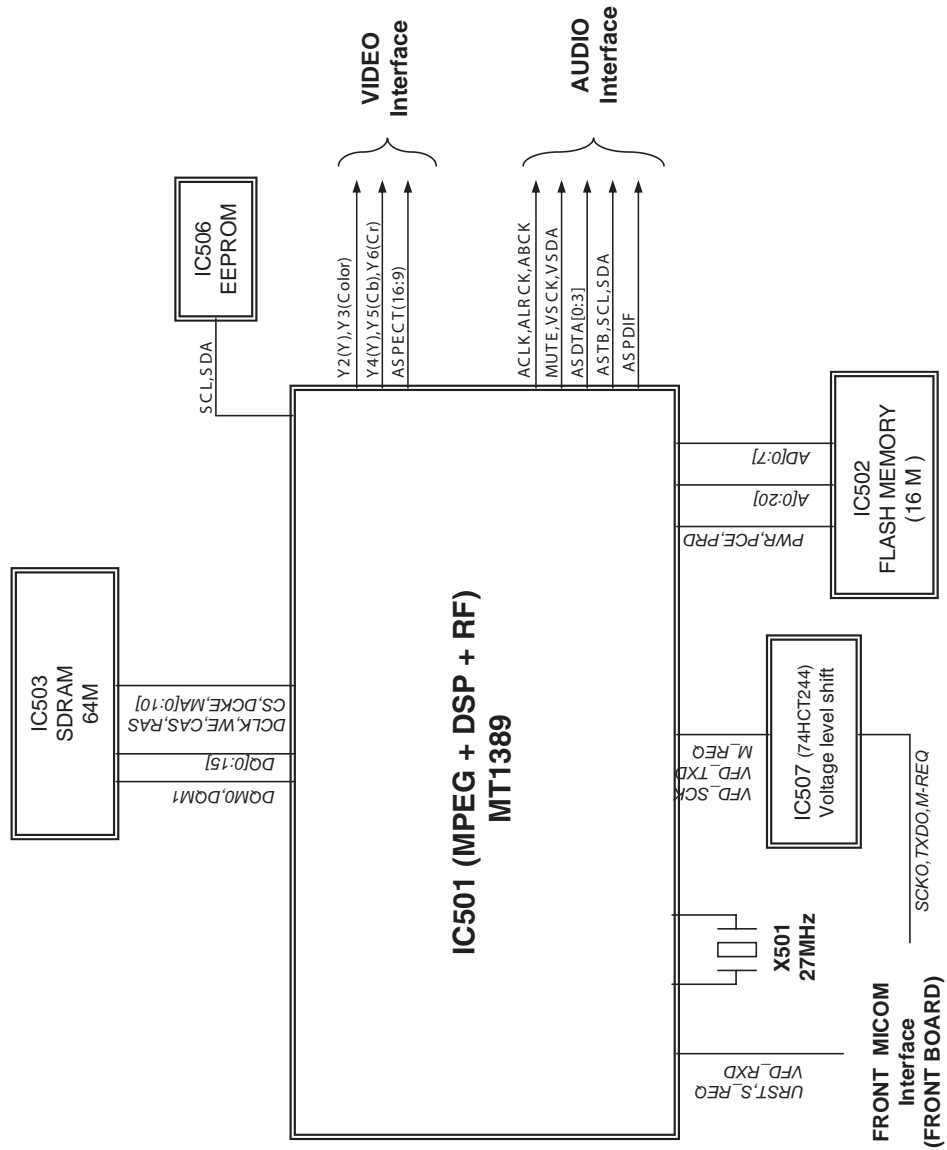
2. Power(SMPS) Block Diagram



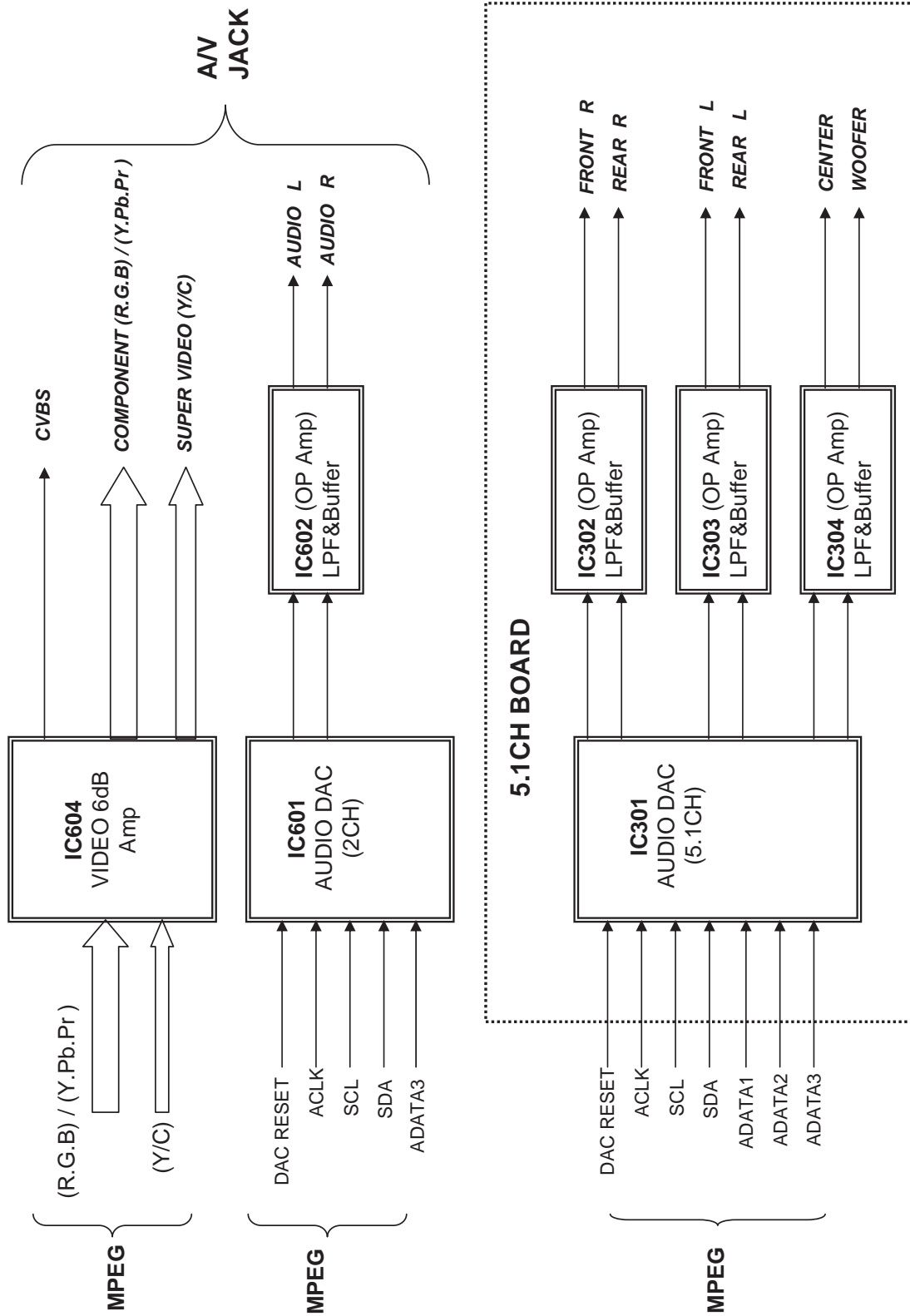
3. SERVO Block Diagram



4. MPEG & MEMORY Block Diagram



5. VIDEO & AUDIO Block Diagram



CIRCUIT DIAGRAMS

1. POWER(SMPS) CIRCUIT DIAGRAM

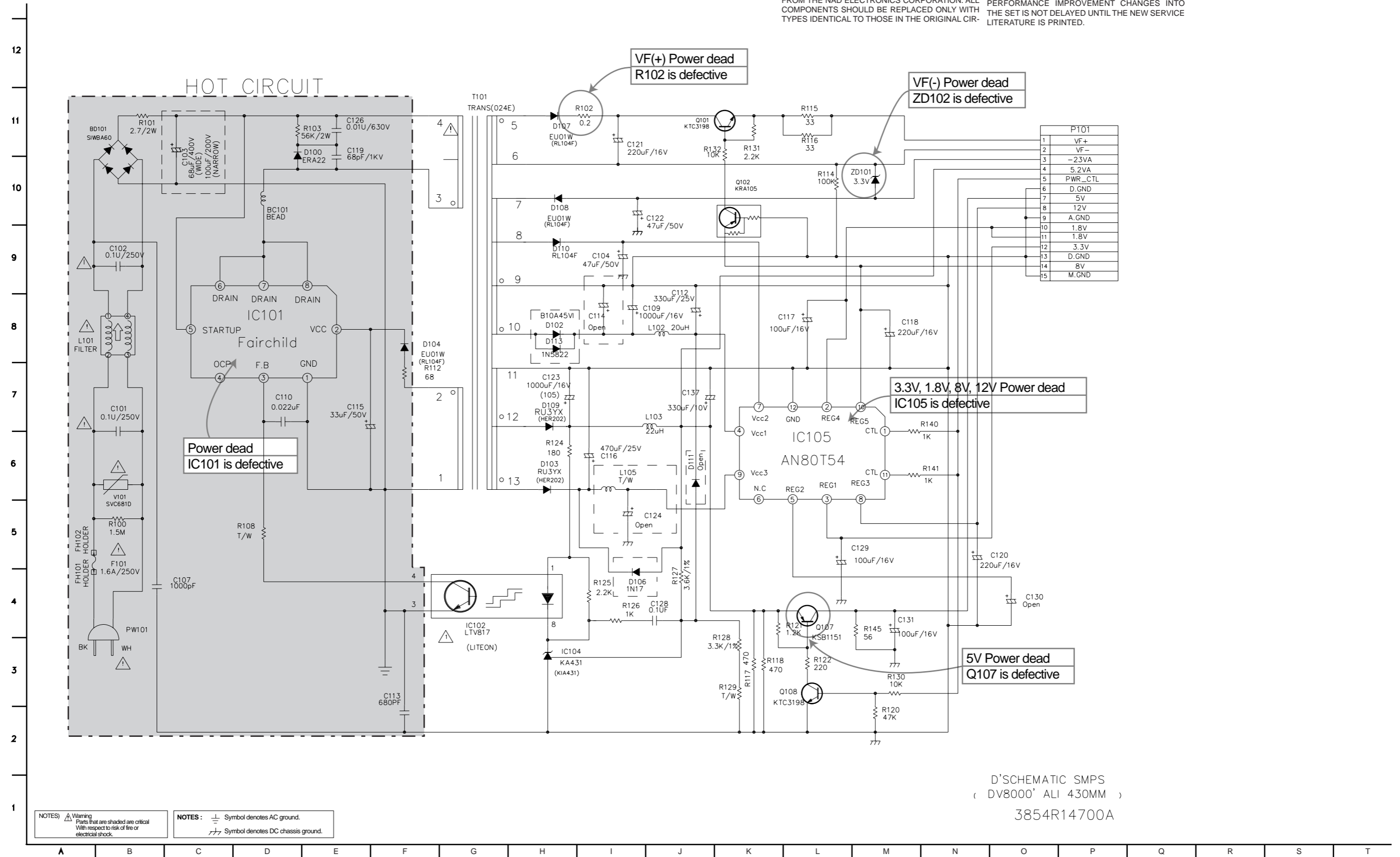
IMPORTANT SAFETY NOTICE

WHEN SERVICING THIS CHASSIS, UNDER NO CIRCUMSTANCES SHOULD THE ORIGINAL DESIGN BE MODIFIED OR ALTERED WITHOUT PERMISSION FROM THE NAD ELECTRONICS CORPORATION. ALL COMPONENTS SHOULD BE REPLACED ONLY WITH TYPES IDENTICAL TO THOSE IN THE ORIGINAL CIR-

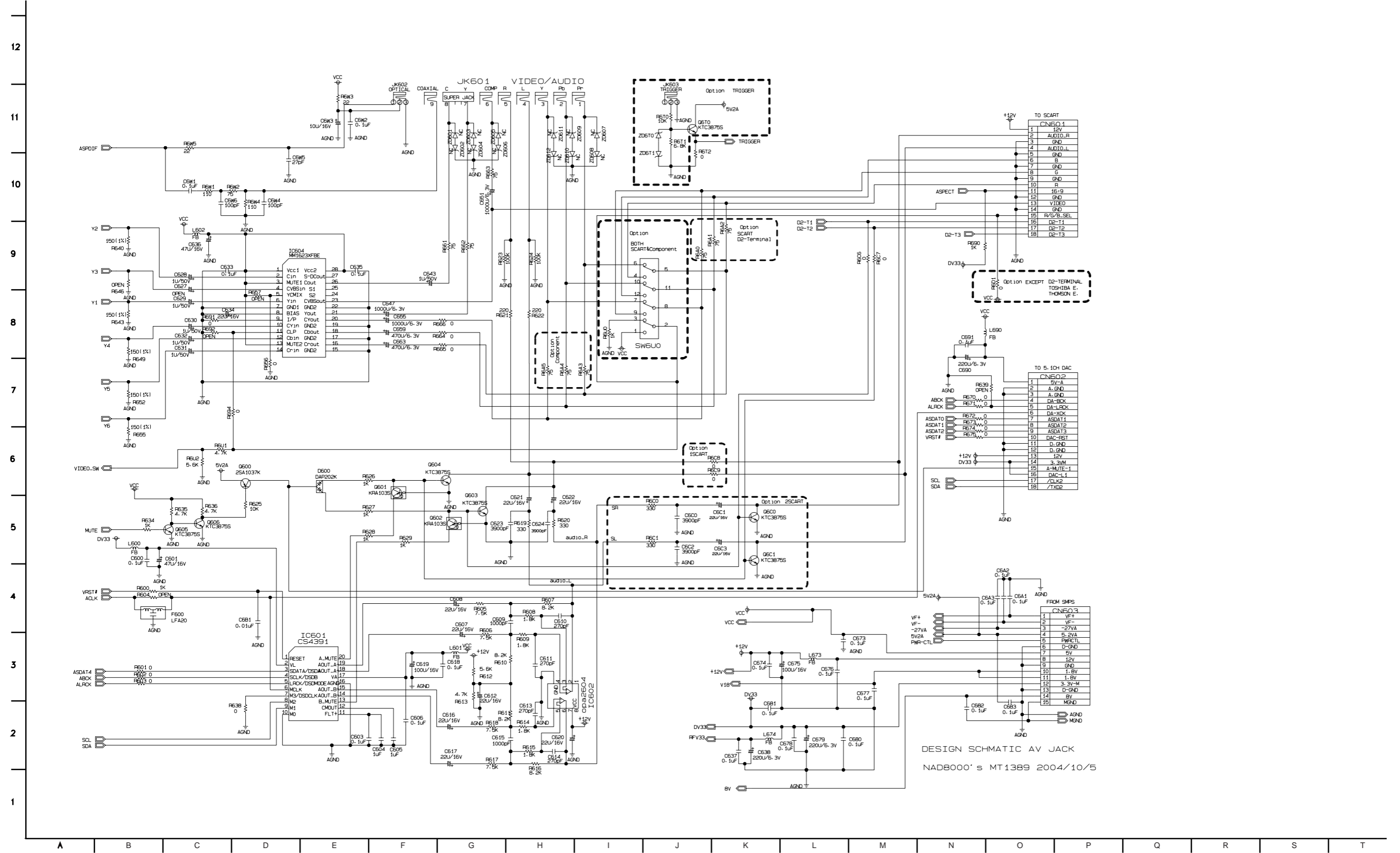
CUIT. SPECIAL COMPONENTS ARE SHADED ON THE SCHEMATIC FOR EASY IDENTIFICATION. THIS CIRCUIT DIAGRAM MAY OCCASIONALLY DIFFER FROM THE ACTUAL CIRCUIT USED. THIS WAY, IMPLEMENTATION OF THE LATEST SAFETY AND PERFORMANCE IMPROVEMENT CHANGES INTO THE SET IS NOT DELAYED UNTIL THE NEW SERVICE LITERATURE IS PRINTED.

NOTE :

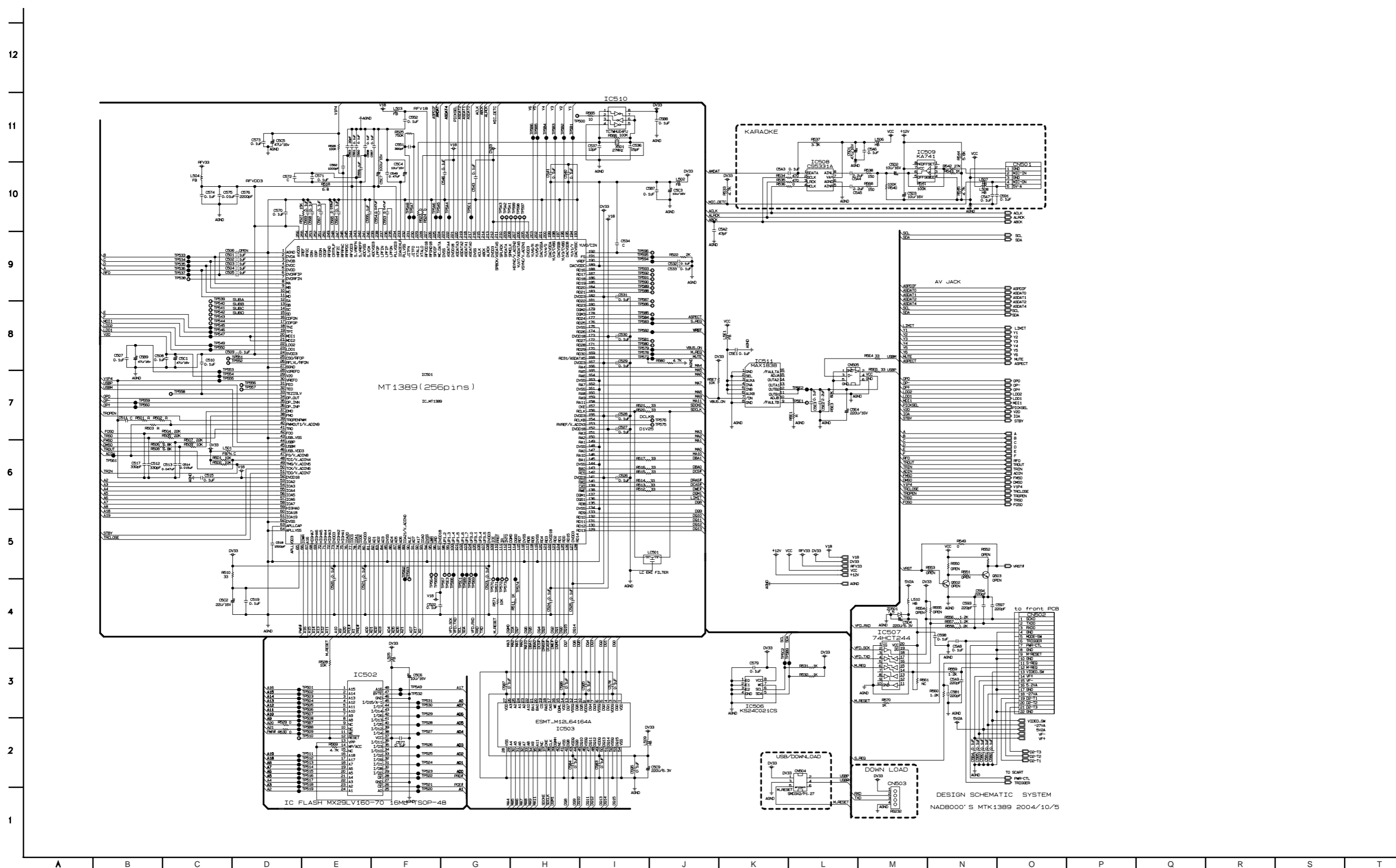
1. Shaded(■) parts are critical for safety. Replace only with specified part number.
2. Voltages are DC-measured with a digital voltmeter during Play mode.



2. AV/JACK CIRCUIT DIAGRAM

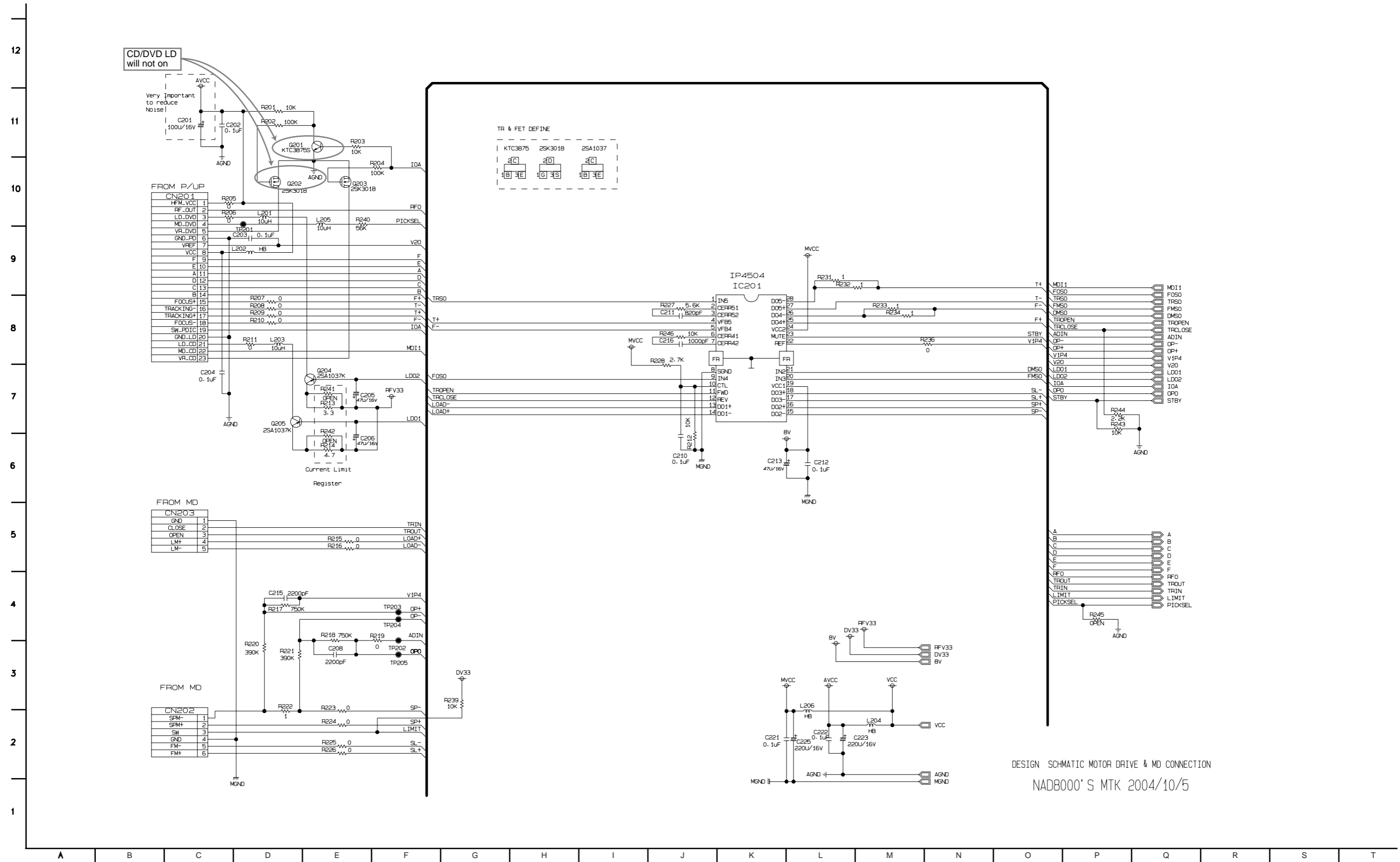


3. SYSTEM CIRCUIT DIAGRAM

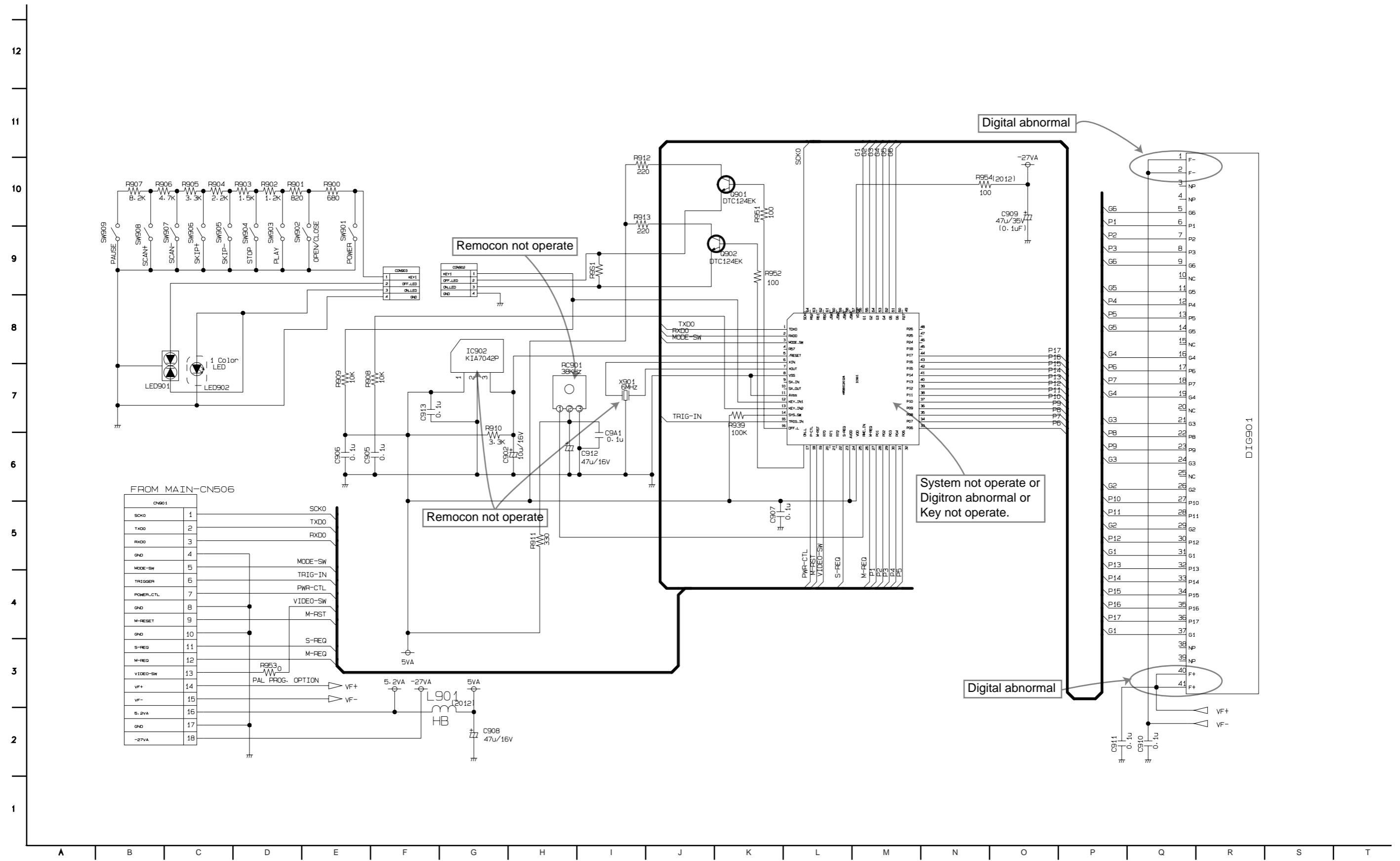


DESIGN SCHEMATIC SYSTEM
NADB000'S MTK1389 2004/10/5

4. DRIVER CIRCUIT DIAGRAM

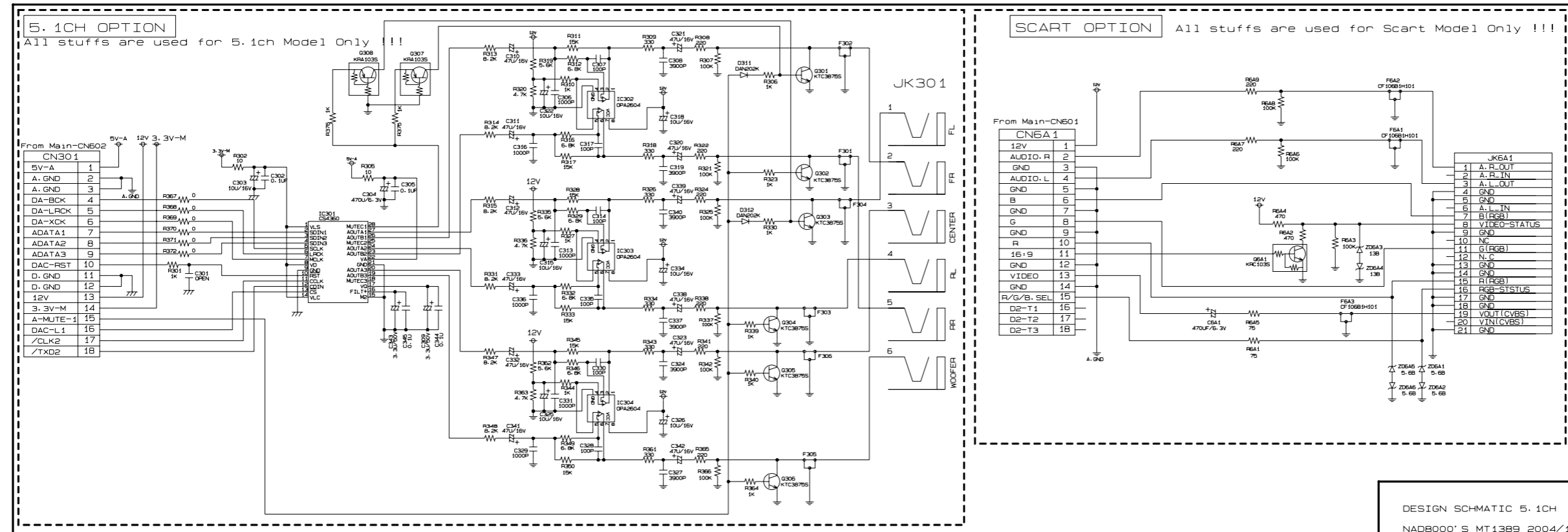


5. TIMER CIRCUIT DIAGRAM



6. 5.1CH/SCART CIRCUIt DIAGRAM (T524 MODEL ONLY)

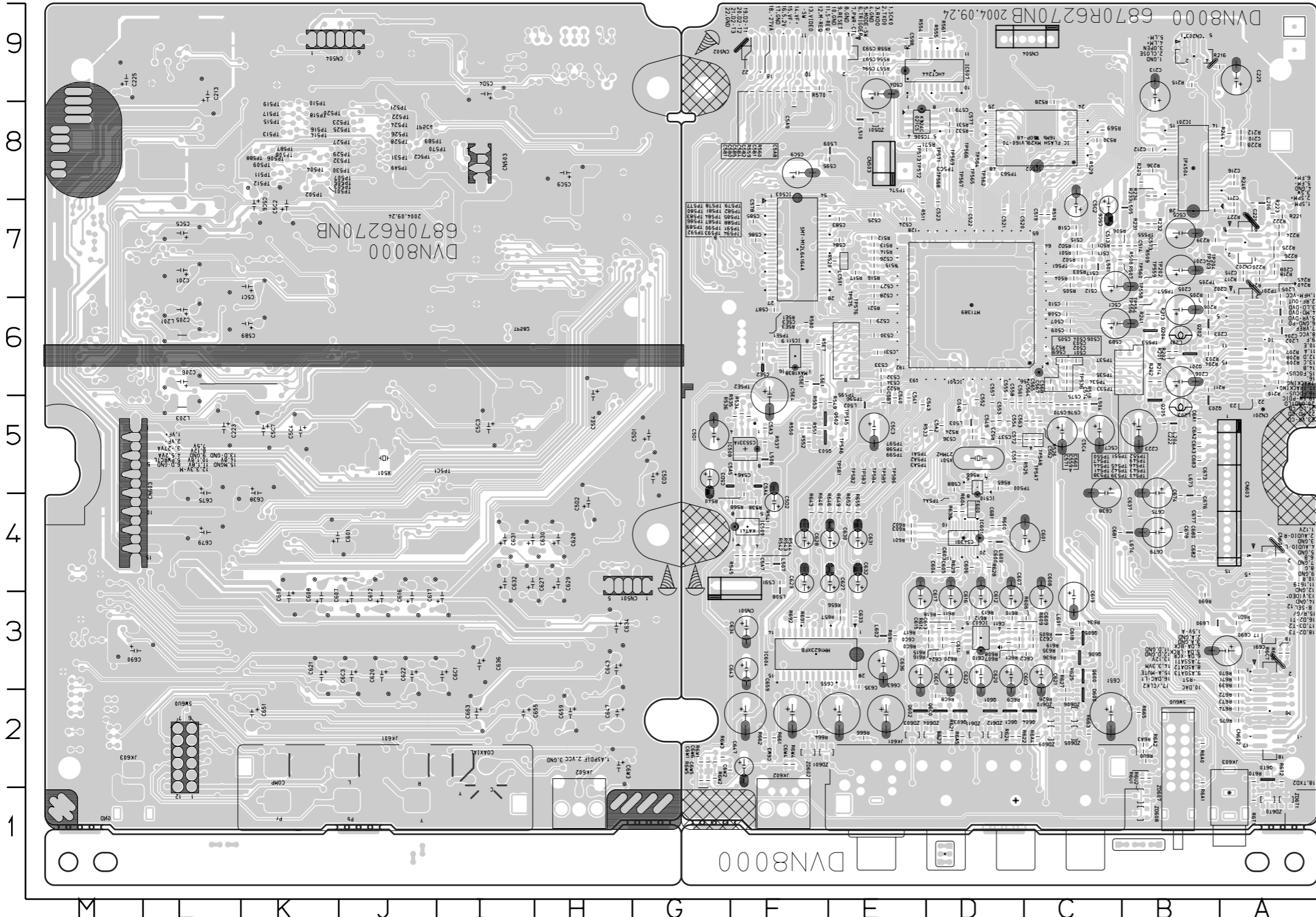
12
11
10
9
8
7
6
5
4
3
2
1



A B C D E F G H I J K L M N O P Q R S T

PRINTED CIRCUIT DIAGRAMS

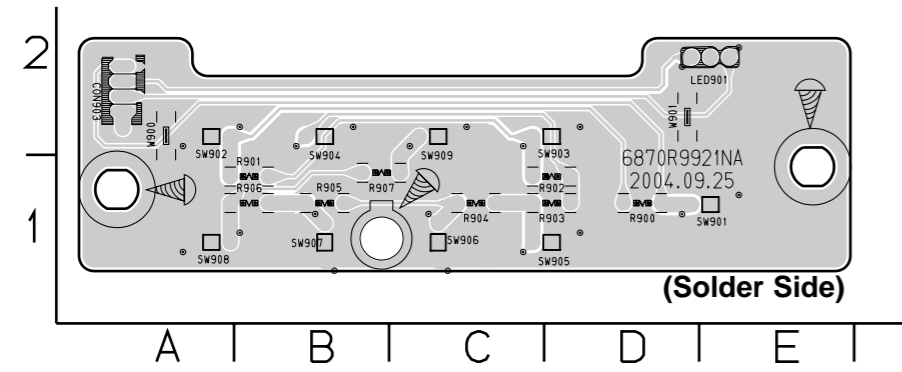
1. MAIN P.C.BOARD



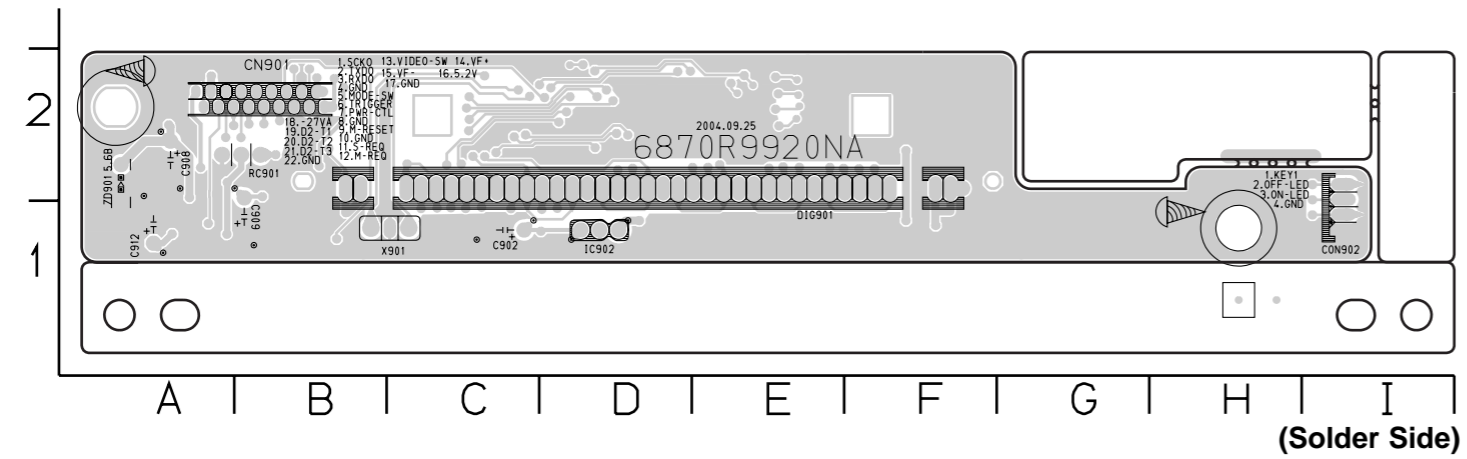
LOCATION GUIDE

C201	L7	C558	H6	C6C2	K3	Q204	L6	L6	R509	L7	R603	L4	R6C1	J3	TP574	I8
C202	L7	C559	K5	C6C3	J3	Q205	L5	L5	R510	K7	R604	J4	R6C5	M3	TP575	I7
C203	L6	C560	K5	C6C4	K4	Q206	H5	H5	R511	I7	R605	K3	R6C7	M3	TP576	I7
C204	M6	C561	J5	C6C5	K4	Q207	G2	G2	R512	I7	R606	K3	R6C8	J2	TP577	I6
C205	L6	C562	K5	C6C6	J4	Q208	K3	K3	R513	I7	R607	J3	R6C9	K2	TP578	I6
C206	L6	C563	K5	C6C7	H4	Q209	J2	J2	R514	I7	R608	J3	R6D1	M3	TP579	I6
C207	M7	C564	K5	C6C8	J4	Q210	M2	M2	R515	I7	R609	J3	R6D2	M2	TP580	I6
C208	M7	C565	K5	C6C9	J4	Q211	M2	M2	R516	I7	R610	J3	R6D3	M2	TP581	I6
C209	M7	C566	K5	C6C10	J4	Q212	M2	M2	R517	I7	R611	J3	R6D4	M2	TP582	I6
C210	M8	C567	K6	C6C11	J3	Q213	M1	M1	R518	I7	R612	J3	R6D5	M2	TP583	I6
C211	M7	C568	K5	C6C12	J3	Q214	M2	M2	R519	I7	R613	J3	R6D6	M2	TP584	I6
C212	L8	C569	K6	C6C13	J3	Q215	M1	M1	R520	I7	R614	J3	R6D7	M2	TP585	I6
C213	L9	C570	K6	C6C14	J3	Q216	M1	M1	R521	I7	R615	J3	R6D8	M2	TP586	I6
C214	M8	C571	K5	C6C15	J3	Q217	M2	M2	R522	I6	R616	J3	R6D9	M2	TP587	I6
C215	M7	C572	J5	C6C16	J3	Q218	M2	M2	R523	I6	R617	J3	R6D10	M2	TP588	I6
C216	M8	C573	K5	C6C17	J3	Q219	M2	M2	R524	I6	R618	J3	R6D11	M2	TP589	I6
C217	M7	C574	K5	C6C18	J3	Q220	M2	M2	R525	I6	R619	J3	R6D12	M2	TP590	I6
C218	M8	C575	K5	C6C19	J3	Q221	M2	M2	R526	I6	R620	J3	R6D13	M2	TP591	I6
C219	M8	C576	K5	C6C20	J3	Q222	M2	M2	R527	I6	R621	J3	R6D14	M2	TP592	I6
C220	M8	C577	K5	C6C21	J3	Q223	M2	M2	R528	I6	R622	J3	R6D15	M2	TP593	I6
C221	M7	C578	K5	C6C22	J3	Q224	M2	M2	R529	I6	R623	J3	R6D16	M2	TP594	I6
C222	L5	C579	K3	C6C23	M2	Q225	L6	L6	R530	I6	R624	J3	R6D17	M2	TP595	I6
C223	L5	C580	K3	C6C24	M2	Q226	L6	L6	R531	I6	R625	J3	R6D18	M2	TP596	I6
C224	M9	C581	K6	C6C25	J3	Q227	L6	L6	R532	I6	R626	J3	R6D19	M2	TP597	I6
C225	M9	C582	K6	C6C26	J3	Q228	L6	L6	R533	I6	R627	J3	R6D20	M2	TP598	I6
C226	M9	C583	K6	C6C27	J3	Q229	L6	L6	R534	I6	R628	J3	R6D21	M2	TP599	I6
C227	M9	C584	K6	C6C28	J3	Q230	L6	L6	R535	I6	R629	J3	R6D22	M2	TP600	I6
C228	M9	C585	K6	C6C29	J3	Q231	L6	L6	R536	I6	R630	J3	R6D23	M2	TP601	I6
C229	M9	C586	K6	C6C30	J3	Q232	L6	L6	R537	I6	R631	J3	R6D24	M2	TP602	I6
C230	M9	C587	K6	C6C31	J3	Q233	L6	L6	R538	I6	R632	J3	R6D25	M2	TP603	I6
C231	M9	C588	K6	C6C32	J3	Q234	L6	L6	R539	I6	R633	J3	R6D26	M2	TP604	I6
C232	M9	C589	K6	C6C33	J3	Q235	L6	L6	R540	I6	R634	J3	R6D27	M2	TP605	I6
C233	M9	C590	K6	C6C34	J3	Q236	L6	L6	R541	I6	R635	J3	R6D28	M2	TP606	I6
C234	M9	C591	K6	C6C35	J3	Q237	L6	L6	R542	I6	R636	J3	R6D29	M2	TP607	I6
C235	M9	C592	K6	C6C36	J3	Q238	L6	L6	R543	I6	R637	J3	R6D30	M2	TP608	I6
C236	M9	C593	K6	C6C37	J3	Q239	L6	L6	R544	I6	R638	J3	R6D31	M2	TP609	I6
C237	M9	C594	K6	C6C38	J3	Q240	L6	L6	R545	I6	R639	J3	R6D32	M2	TP610	I6
C238	M9	C595	K6	C6C39	J3	Q241	L6	L6	R546	I6	R640	J3	R6D33	M2	TP611	I6
C239	M9	C596	K6	C6C40	J3	Q242	L6	L6	R547	I6	R641	J3	R6D34	M2	TP612	I6
C240	M9	C597	K6	C6C41	J3	Q243	L6	L6	R548	I6	R642	J3	R6D35	M2	TP613	I6
C241	M9	C598	K6	C6C42	J3	Q244	L6	L6	R549	I6	R643	J3	R6D36	M2	TP614	I6
C242	M9	C599	K6	C6C43	J3	Q245	L6	L6	R550	I6	R644	J3	R6D37	M2	TP615	I6
C243	M9	C600	K6	C6C44	J3	Q246	L6	L6	R551	I6	R645	J3	R6D38	M2	TP616	I6
C244	M9	C601	K6	C6C45	J3	Q247	L6	L6	R552	I6	R646	J3	R6D39	M2	TP617	I6
C245	M9	C602	K6	C6C46	J3	Q248	L6	L6	R553	I6	R647	J3	R6D40	M2	TP618	I6
C246	M9	C603	K6	C6C47	J3	Q249	L6	L6	R554	I6	R648	J3	R6D41	M2	TP619	I6
C247	M9	C604	K6	C6C48	J3	Q250	L6	L6	R555	I6	R649	J3	R6D42	M2	TP620	I6
C248	M9	C605	K6	C6C49	J3	Q251	L6	L6	R556	I6	R650	J3	R6D43	M2	TP621	I6
C249	M9	C606	K6	C6C50	J3	Q252	L6	L6	R557	I6	R651	J3	R6D44	M2	TP622	I6
C250	M9	C607	K6	C6C51	J3	Q253	L6	L6	R558	I6	R652	J3	R6D45	M2	TP623	I6
C251	M9	C608	K6	C6C52	J3	Q254	L6	L6	R559	I6	R653	J3	R6D46	M2	TP624	I6
C252	M9	C609	K6	C6C53	J3	Q255	L6	L6	R560	I6	R654	J3	R6D47	M2	TP625	I6
C253	M9	C610	K6	C6C54	J3	Q256	L6	L6	R561	I6	R655	J3	R6D48	M2	TP626	I6
C254	M9	C611	K6	C6C55	J3	Q257	L6	L6	R562	I6	R656	J3	R6D49	M2	TP627	I6
C255	M9	C612	K6	C6C56	J3	Q258	L6	L6	R563	I6	R657	J3	R6D50	M2	TP628	I6

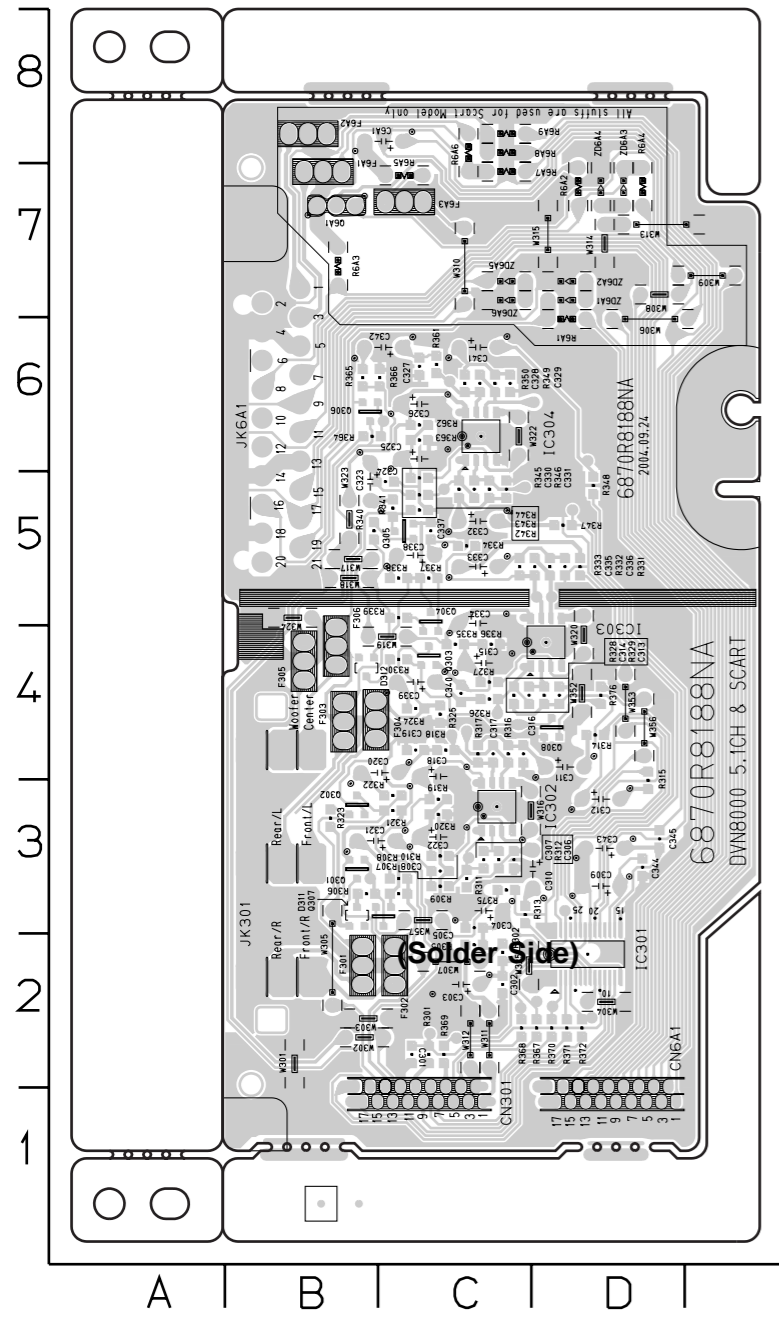
2. KEY P.C.BOARD



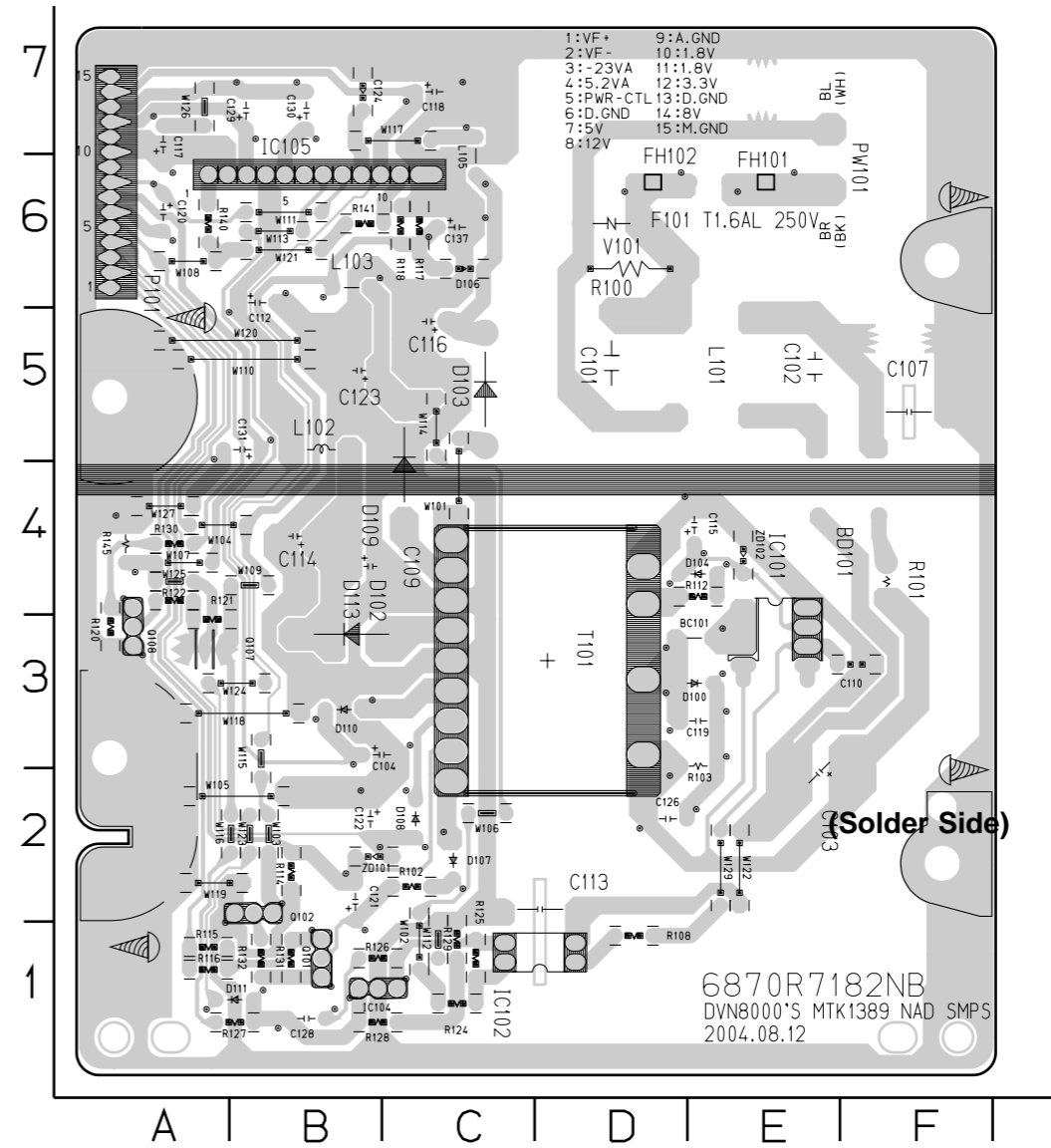
3. TIMER P.C.BOARD



4. JACK & 5.1CH I/O P.C.BOARD(OPTIONAL PART)



5. SMPS P.C.BOARD



SECTION 4 MECHANISM (DP-8)

CONTENTS

DECK MECHANISM PARTS LOCATIONS

- Top View.....4-1
- Top View(without Tray Disc)4-1
- Bottom View4-1

DECK MECHANISM DISASSEMBLY

- 1. Main Base4-2
 - 1-1. Clamp Assembly Disc.....4-2
 - 1-1-1. Plate Clamp4-2
 - 1-1-2. Magnet Clamp4-2
 - 1-1-3. Clamp Upper.....4-2
- 2. Tray Disc4-2
- 3. Base Assembly Sled4-3
 - 3-1. Gear Feed.....4-3
 - 3-2. Gear Middle4-3
 - 3-3. Gear Rack.....4-3
- 4. Rubber Rear4-3

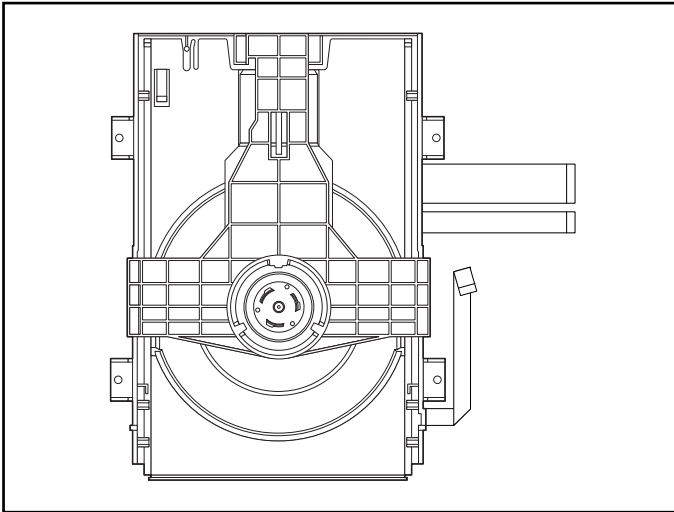
- 5. Frame Assembly Up/Down4-4
- 6. Belt Loading.....4-4
- 7. Gear Pulley4-4
- 8. Gear Loading4-4
- 9. Guide Up/Down.....4-4
- 10. PWB Assembly Loading4-4
- 11. Base Main.....4-4

EXPLODED VIEW

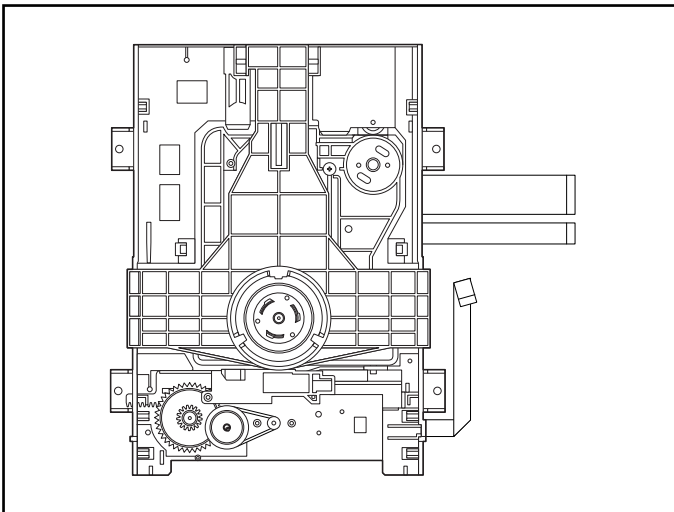
- 1. Deck Mechanism Exploded View....4-5
-

DECK MECHANISM PARTS LOCATION

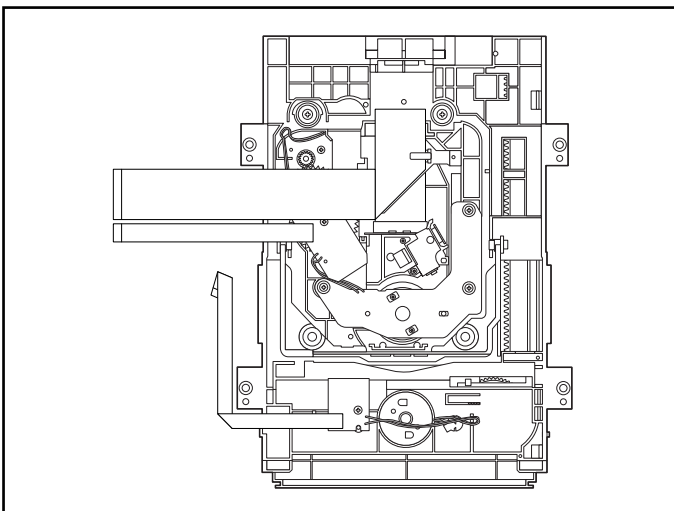
• Top View (With Tray)



• Top View (Without Tray)



• Bottom View



Procedure Starting No.	Parts	Fixing Type	Disassembly	Figure
1	1 Main Base			4-1
1	2 Clamp Assembly Disc			4-1
1, 2	3 Plate Clamp			4-1
1, 2, 3	4 Magnet Clamp			4-1
1, 2, 3, 4	5 Clamp Upper			4-1
1	6 Tray Disc			4-2
1, 6	7 Base Assembly Sled			4-3
1, 2, 6	8 Gear Feed	4 Screws, 1 Connector 1 Locking Tabs		4-3
1, 2, 6, 8	9 Gear Middle			4-3
1, 2, 6, 8, 9	10 Gear Rack	1 Screw		4-3
1, 2, 7	11 Rubber Rear			4-3
1, 2, 7	12 Frame Assembly Up/Down	1 Screw	Bottom	4-4
1, 2	13 Belt Loading	1 Locking Tab		4-4
1, 2, 13	14 Gear Pulley			4-4
1, 2, 13, 14	15 Gear Loading	1 Locking Tab		4-4
1, 2, 7, 12, 16	16 Guide Up/Down			4-4
13, 14 1, 2, 13	17 PWB Assembly Loading	1 Locking Tab 1 Hook 2 Screw	Bottom	4-4
1, 2, 7, 12, 13, 14, 15, 16, 17	18 Base Main	2 Locking Tabs		4-4

Note

When reassembling, perform the procedure in reverse order.

The "Bottom" on Disassembly column of above Table indicates the part should be disassembled at the Bottom side.

DECK MECHANISM DISASSEMBLY

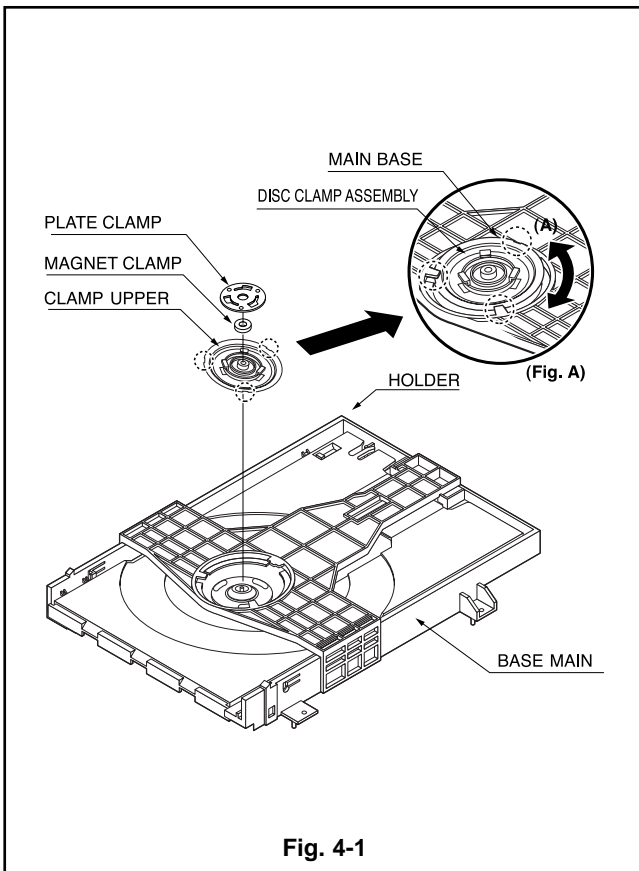


Fig. 4-1

1. Main Base (Fig. 4-1)

1-1. Clamp Assembly Disc

- 1) Place the Clamp Assembly Disc as Fig. (A)
- 2) Lift up the Clamp Assembly Disc in direction of arrow(A).
- 3) Separate the Clamp Assembly Disc from the Holder Clamp.

1-1-1. Plate Clamp

- 1) Turn the Plate Clamp to counterclockwise direction and then lift up the Plate Clamp.

1-1-2. Magnet Clamp

1-1-3. Clamp Upper

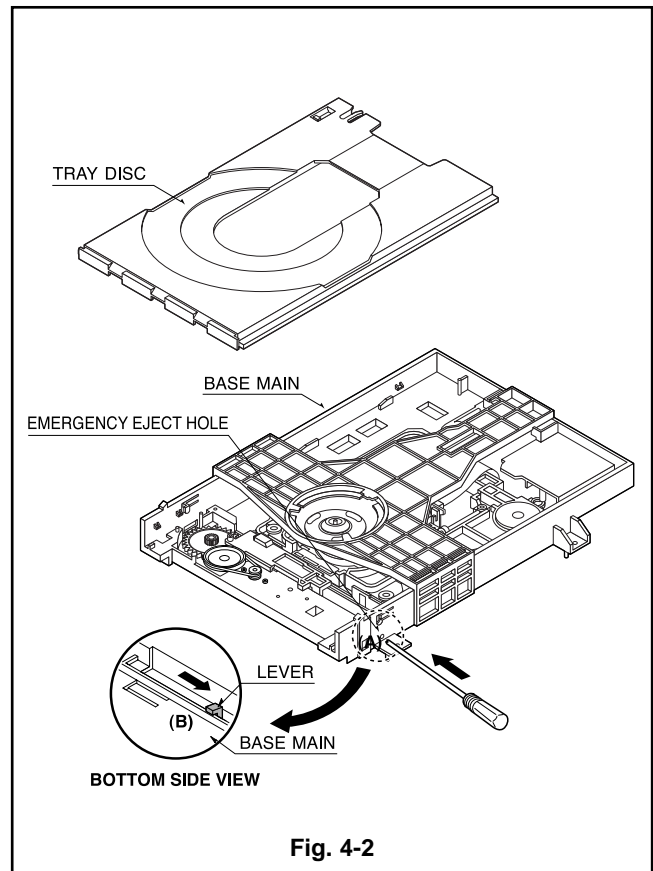


Fig. 4-2

2. Tray Disc (Fig. 4-2)

- 1) Insert and push a Driver in the emergency eject hole(A) at the right side, or put the Driver on the Lever(B) of the Gear Emergency and pull the Lever(B) in direction of arrow so that the Tray Disc is ejected about 15~20mm.
- 2) Pull the Tray Disc until it is separated from the Base Main completely.

DECK MECHANISM DISASSEMBLY

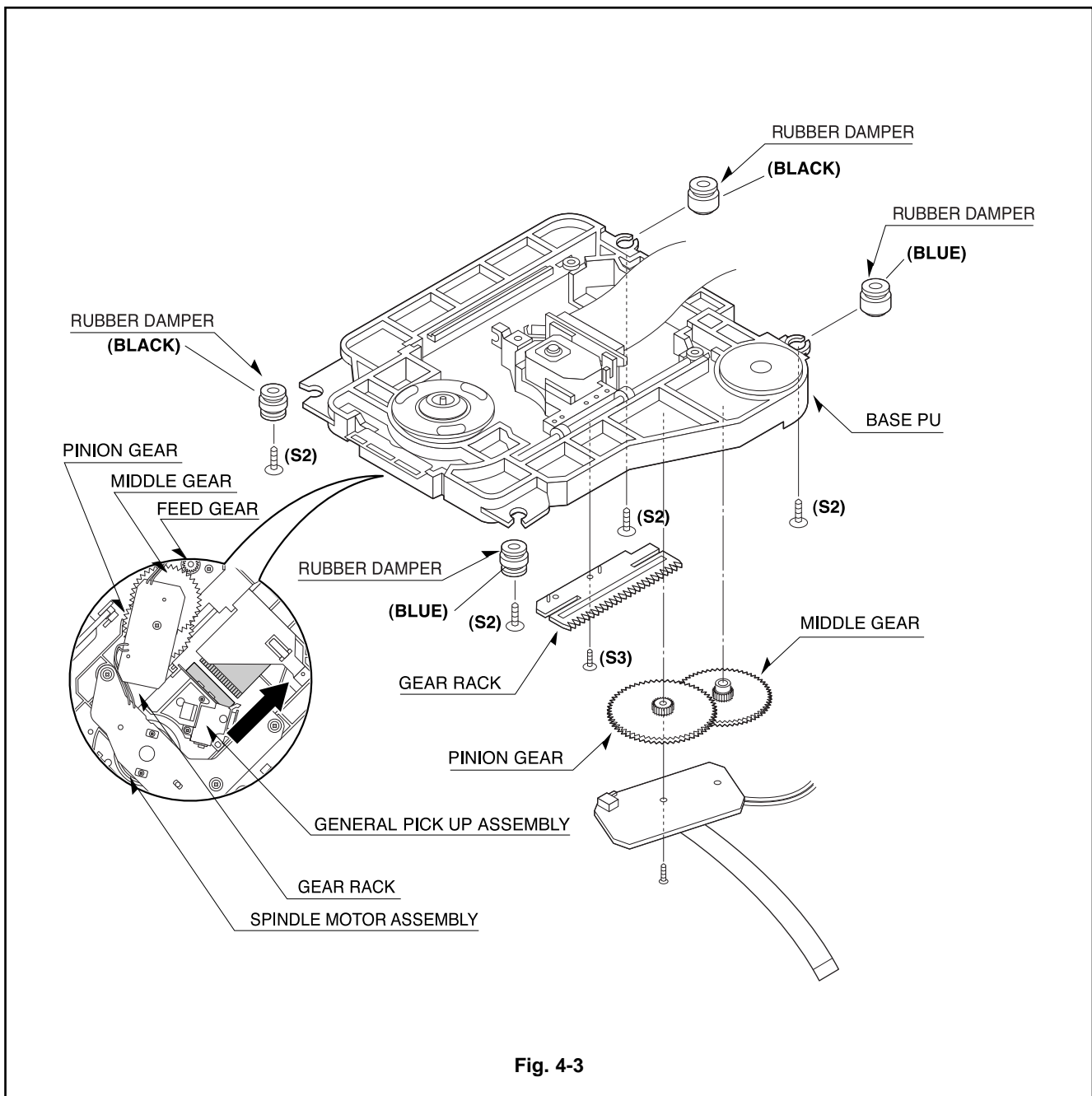


Fig. 4-3

3. Base Assembly Sled (Fig. 4-3)

- 1) Release 4 Screw(S2).
- 2) Disconnect the FFC Connector(C1)

- 3-1. Gear Feed
- 3-2. Gear Middle

3-3. Gear Rack

- 1) Release the Scerw(S3)

4. Rubber Rear (Fig. 4-3)

DECK MECHANISM DISASSEMBLY

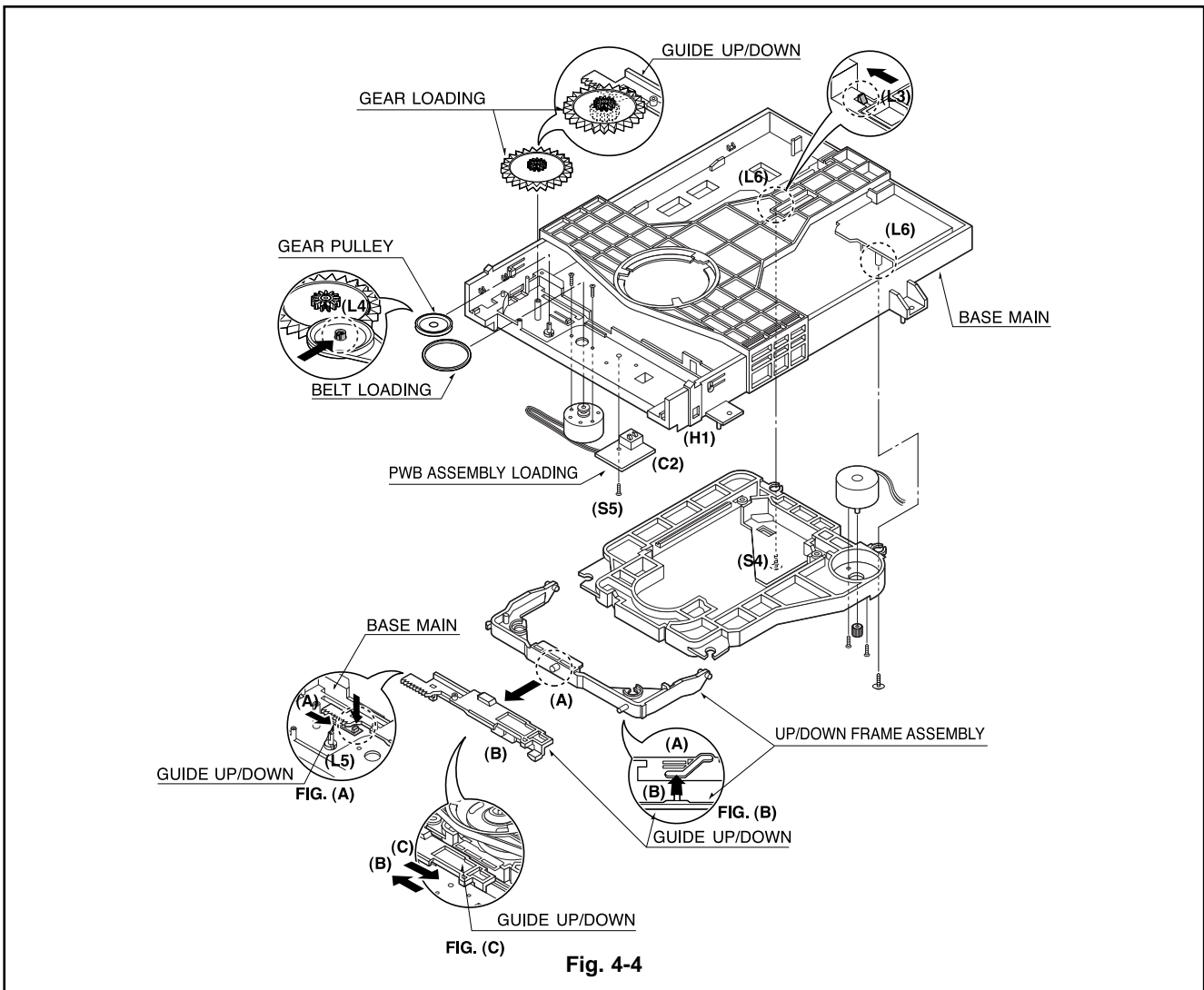


Fig. 4-4

5. Frame Assembly Up/Down (Fig. 4-4)

Note

Put the Base Main face down(Bottom Side)

- 1) Release the screw(S4)
- 2) Unlock the Locking Tab(L3) in direction of arrow and then lift up the Frame Assembly Up/Down to separate it from the Base Main.

Note

- When reassembling move the Guide Up/Down in direction of arrow(C) until it is positioned as Fig.(C).
- When reassembling insert (A) portion of the Frame Assembly Up/Down in the (B) portion of the Guide Up/Down as Fig.(B)

6. Belt Loading(Fig. 4-4)

Note

Put the Base Main on original position(Top Side)

7. Gear pulley (Fig. 4-4)

- 1) Unlock the Locking Tab(L4) in direction of arrow(B) and then separate the Gear Pulley from the Base Main.

8. Gear Loading (Fig. 4-4)

9. Guide Up/Down (Fig. 4-4)

- 1) Move the Guide Up/Down in direction of arrow(A) as Fig.(A)
- 2) Push the Locking Tab(L5) down and then lift up the Guide Up/Down to separate it from the Base Main.

Note

When reassembling place the Guide Up/Down as Fig.(C) and move it in direction arrow(B) until it is locked by the Locking Tab(L5). And confirm the Guide Up/Down as Fig.(A)

10. PWB Assembly Loading (Fig. 4-4)

Note

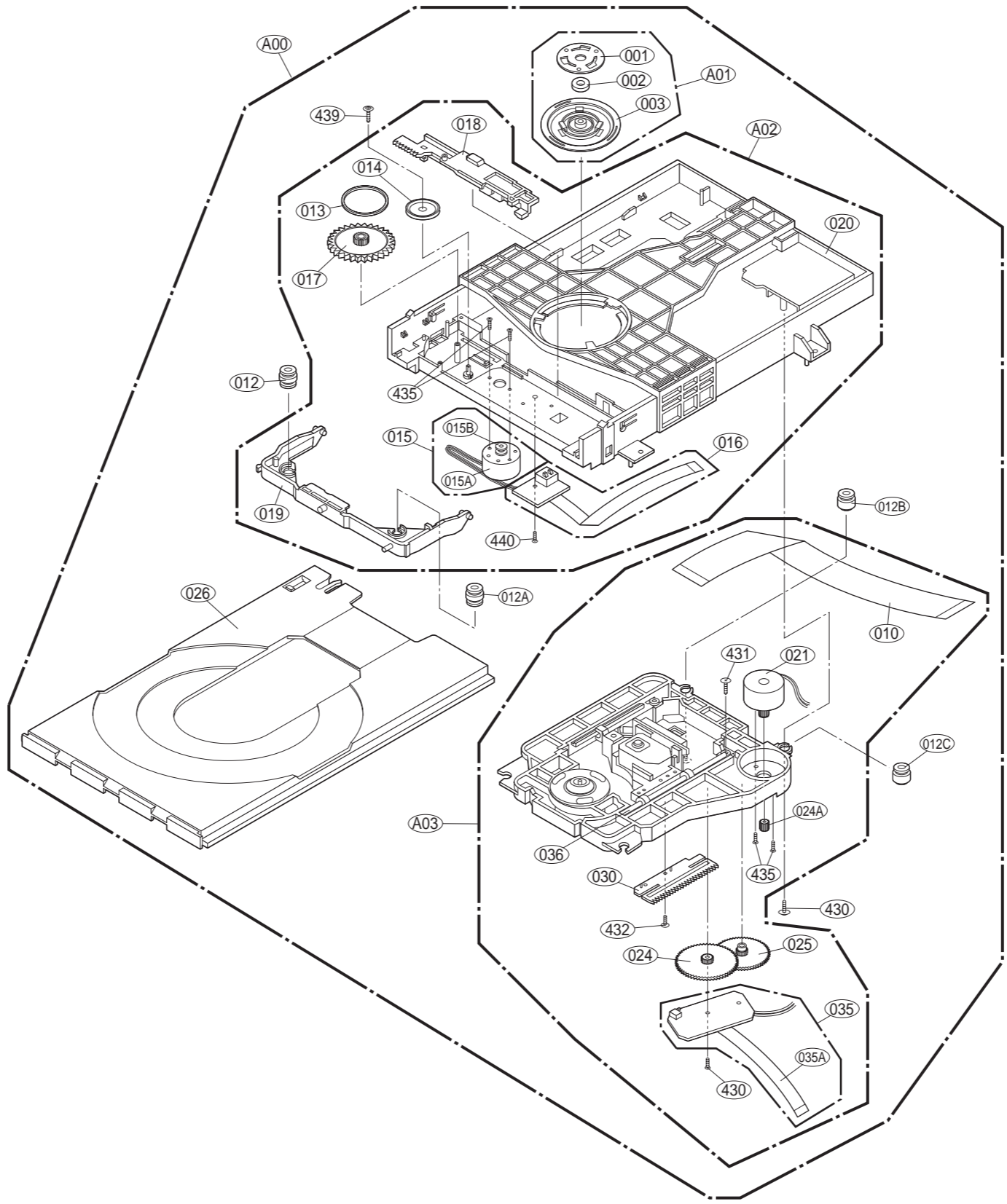
Put the Base Main face down(Bottom Side)

- 1) Release 1 Screws(S5)
- 2) Unlock the Loading Motor (C2) from the Hook (H1) on the Base Main.
- 3) Unlock 2 Locking Tabs(L6) and separate the PWB Assembly Loading from the Base Main.

11. Base Main(Fig. 4-4)

EXPLODED VIEWS

1. Deck Mechanism Exploded View



MEMO

A series of horizontal dotted lines for writing.

NOTES) If you want to purchase
Flash memory, you must order
" IC502A "

NOTES) ⚠ Warning
Parts that are shaded are critical With
respect to risk of fire or electrical
shock.

SECTION 5 REPLACEMENT PARTS LIST

MODEL : T514C(NAD)

RUN DATE : 23-JUNE-05

S	AL	LOCA. NO.	PART NO.	DESCRIPTION	SPECIFICATION	REMARKS	
*** INDIVIDUAL PARTS ***							
			250	3110R-D027A	CASE	DVN8000 PRESS TOP (D423G)	
			283	3580R-T166A	DOOR	DVD DVN8021NCM (D423G) MOLD TR	
			300	6410RCHX03A	POWER CORD	CE-503/JL201B H03VVH2-F 2X0.75	
			463	1SZZR-0098G	SCREW,DRAWING	+ 2 D3.0 L8.0 MSWR3/FZMCW-1 3C	
			465	1SZZR-0097K	SCREW,DRAWING	+ 2 D3.0 L10.0 MSWR3/FZB 3 CR	
			801	3835RD0046B	INSTRUCTION ASSEMBLY	DVD DVN8021ECM-HA6ENN/2-ENG/FR	
			802	3890R-C308C	BOX	DVN8021ECM HA6ENN SW3-A	
			803	3920R-E139A	PACKING	DVD DVN8011 110 NAD	
			804	3880R-E002A	BAG,VINYL	430 500 0.5 DVD9000	NSP
			808	6910A90004A	BATTERY,ALKALINE	R03P SHANGHAI SHENKANG 1.5V 4A	
			808	841-0021	BATTERY,MN	ER03X HI WATT 1.5V .MA/H AAA	ALTERNATE
			900	6711R2N124B	REMOTE CONTROLLER ASSEMBLY	NAD DVN8021NCM HA1UNN NAD	
*** CHASSIS ASSEMBLY ***							
			A44	3141R-D045E	CHASSIS ASSEMBLY	DVN8021ECM(T514C) MAIN (WEEE	
			260	3140R-D002B	CHASSIS	DV7000 PRESS WITH FOOT	
			261	5040R-5040C	RUBBER	DVD DVN8000 OTHER FOOT D17.5X	
			320	3720R-D123E	PANEL,VIDEO	DVD DVN8021ECM(T514C) PRESS BA	
			467	1SZZR-0097N	SCREW,DRAWING	+ 2 D3.0 L8.0 MSWR3/FZB 3CR BK	
*** BOARD ASSEMBLY ***							
			A43	3501RF6993C	BOARD ASSEMBLY	DVD DVN8021ECM HA6ENN FRONT	
			280	3721R-F883C	PANEL ASSEMBLY,FRONT	DVD DVN8021ECM HA6ENN NAD	
			452	1SZZR-0098A	SCREW,DRAWING	+ 2 D3.0 L10.0 MSWR3/FZMCY-1 3	
			A49	6871R-9971A	PWB(PCB) ASSEMBLY,TOTAL	DVN8000S TMER SH	
			C902	0CE1064F638	CAPACITOR,FIXED ELECTROLYTIC	10UF SRA,SS 16V 20% FM5 TP 5	
			C908	0CE4764F638	CAPACITOR,FIXED ELECTROLYTIC	47UF SRA,SS 16V 20% FM5 TP 5	
			C909	0CE4764J638	CAPACITOR,FIXED ELECTROLYTIC	47UF SRA,SS 35V 20% FM5 TP 5	
			C912	0CE4764F638	CAPACITOR,FIXED ELECTROLYTIC	47UF SRA,SS 16V 20% FM5 TP 5	
			CN901	6630R-FB05R	CONNECTOR (CIRC),FFC/FPC	00-6232-018-104-800 ELCO 18PIN	
			CON902	6631R-E078J	CONNECTOR ASSEMBLY	GIL-S04/9073 04AN 4P 120M/M UL	
			DIG901	6302RCV226A	DIGITRON	VFD14-0601N ZEC SEG VFD DVD800	
			IC902	0IKE704200B	IC,KEC	KIA7042P 3P 4.2V RESET(TAPING)	
			RC901	6712R1038GA	REMOTE CONTROLLER RECEIVER	TSOP2438SB1 VISHAY 38KHZ 10.2M	
			X901	6212BA3004A	RESONATOR,CERAMIC	CSTLS6M00G53-A0 MURATA 6MHZ +/-	
			ZD901	0DZ562609AA	DIODE,ZENERS	GDZJ5.6B 26MM TP GRANDE DO34	
			C905	0CH1104K942	CAPACITOR,FIXED CERAMIC(TEMP.C	0.1UF 50V 80%,-20% Y5V(F) 1608	
			C906	0CH1104K942	CAPACITOR,FIXED CERAMIC(TEMP.C	0.1UF 50V 80%,-20% Y5V(F) 1608	
			C907	0CH1104K942	CAPACITOR,FIXED CERAMIC(TEMP.C	0.1UF 50V 80%,-20% Y5V(F) 1608	
			C910	0CH1104K942	CAPACITOR,FIXED CERAMIC(TEMP.C	0.1UF 50V 80%,-20% Y5V(F) 1608	
			C911	0CH1104K942	CAPACITOR,FIXED CERAMIC(TEMP.C	0.1UF 50V 80%,-20% Y5V(F) 1608	
			C913	0CH1104K942	CAPACITOR,FIXED CERAMIC(TEMP.C	0.1UF 50V 80%,-20% Y5V(F) 1608	
			C9A1	0CH1104K942	CAPACITOR,FIXED CERAMIC(TEMP.C	0.1UF 50V 80%,-20% Y5V(F) 1608	
			IC901	0IMCRHY084B	IC,MICRO CONTROLLER	HMS81C2012A-HK012 2ND HYNIX 64	
			L901	6200HJC102A	FILTER(CIRC),EMC	HB-1M2012-102JT CERATECH TP	
			Q901	0TRAU80002A	TRANSISTOR,BIPOLARS	AUK KOREA SRC1203S R/TP SOT23	
			Q902	0TRAU80002A	TRANSISTOR,BIPOLARS	AUK KOREA SRC1203S R/TP SOT23	
			R908	0RH1002C622	RESISTOR,METAL GLAZED(CHIP)	10K OHM 1 / 16 W 1608 5.00% D	
			R909	0RH1002C622	RESISTOR,METAL GLAZED(CHIP)	10K OHM 1 / 16 W 1608 5.00% D	

S	AL	LOCA. NO.	PART NO.	DESCRIPTION	SPECIFICATION	REMARKS
		R910	0RH3301C622	RESISTOR,METAL GLAZED(CHIP)	3.3K OHM 1 / 16 W 1608 5.00% D	
		R911	0RH3300C622	RESISTOR,METAL GLAZED(CHIP)	330 OHM 1 / 16 W 1608 5.00% D	
		R912	0RH2200C622	RESISTOR,METAL GLAZED(CHIP)	220 OHM 1 / 16 W 1608 5.00% D	
		R913	0RH2200C622	RESISTOR,METAL GLAZED(CHIP)	220 OHM 1 / 16 W 1608 5.00% D	
		R939	0RH1003C622	RESISTOR,METAL GLAZED(CHIP)	100K OHM 1 / 16 W 1608 5.00% D	
		R951	0RH1000C622	RESISTOR,METAL GLAZED(CHIP)	100 OHM 1 / 16 W 1608 5.00% D	
		R952	0RH1000C622	RESISTOR,METAL GLAZED(CHIP)	100 OHM 1 / 16 W 1608 5.00% D	
		R954	0RH1000D622	RESISTOR,METAL GLAZED(CHIP)	100 OHM 1 / 10 W 2012 5.00% D	
		A42	6871R-9771A	PWB(PCB) ASSEMBLY,TOTAL	DVN8000S KEY SH	
		CON903	561-712D	CONNECTOR (CIRC),WAFER	GIL-S-04P-S2L2-EF LG CABLE 4PI	
		LED901	0DLAU0029AA	LED	AUK SYM3272 (YELLOW-GREEN,GREE	
		R900	0RD6800F608	RESISTOR,FIXED CARBON FILM	680 OHM 1/6 W 5% TA26	
		R901	0RD8200F608	RESISTOR,FIXED CARBON FILM	820 OHM 1/6 W 5% TA26	
		R902	0RD1201F608	RESISTOR,FIXED CARBON FILM	1.2K OHM 1/6 W 5% TA26	
		R903	0RD1501F608	RESISTOR,FIXED CARBON FILM	1.5K OHM 1/6 W 5% TA26	
		R904	0RD2201F608	RESISTOR,FIXED CARBON FILM	2.2K OHM 1/6 W 5% TA26	
		R905	0RD3301F608	RESISTOR,FIXED CARBON FILM	3.3K OHM 1/6 W 5% TA26	
		R906	0RD4701F608	RESISTOR,FIXED CARBON FILM	4.7K OHM 1/6 W 5% TA26	
		R907	0RD8201F608	RESISTOR,FIXED CARBON FILM	8.2K OHM 1/6 W 5% TA26	
		SW901	6600R000036	SWITCH,TACT	EVQ 225 05R MATSUSHITA 15VDC 2	
		SW901	556-219B	SWITCH,TACT	THV10910G TACT DC 12 V 5-0 A V	ALTERNATE
		SW902	6600R000036	SWITCH,TACT	EVQ 225 05R MATSUSHITA 15VDC 2	
		SW902	556-219B	SWITCH,TACT	THV10910G TACT DC 12 V 5-0 A V	ALTERNATE
		SW903	6600R000036	SWITCH,TACT	EVQ 225 05R MATSUSHITA 15VDC 2	
		SW903	556-219B	SWITCH,TACT	THV10910G TACT DC 12 V 5-0 A V	ALTERNATE
		SW904	6600R000036	SWITCH,TACT	EVQ 225 05R MATSUSHITA 15VDC 2	
		SW904	556-219B	SWITCH,TACT	THV10910G TACT DC 12 V 5-0 A V	ALTERNATE
		SW905	6600R000036	SWITCH,TACT	EVQ 225 05R MATSUSHITA 15VDC 2	
		SW905	556-219B	SWITCH,TACT	THV10910G TACT DC 12 V 5-0 A V	ALTERNATE
		SW906	556-219B	SWITCH,TACT	THV10910G TACT DC 12 V 5-0 A V	
		SW906	6600R000036	SWITCH,TACT	EVQ 225 05R MATSUSHITA 15VDC 2	ALTERNATE
		SW907	556-219B	SWITCH,TACT	THV10910G TACT DC 12 V 5-0 A V	
		SW907	6600R000036	SWITCH,TACT	EVQ 225 05R MATSUSHITA 15VDC 2	ALTERNATE
		SW908	556-219B	SWITCH,TACT	THV10910G TACT DC 12 V 5-0 A V	
		SW908	6600R000036	SWITCH,TACT	EVQ 225 05R MATSUSHITA 15VDC 2	ALTERNATE
		SW909	556-219B	SWITCH,TACT	THV10910G TACT DC 12 V 5-0 A V	
		SW909	6600R000036	SWITCH,TACT	EVQ 225 05R MATSUSHITA 15VDC 2	ALTERNATE
*** DECK ASSEMBLY,DVD ***						
		A00	6721RHD032B	DECK ASSEMBLY,DVD	DVD DP-8(SH) MTK 1389 NAD	NSP
		A01	4861R-0016B	CLAMP ASSEMBLY	DISC DP7 - SH	
		001	3300R-0547A	PLATE	CLAMP	NSP
		002	5016H-1016B	MAGNET	CLAMP(LDM-R608,10*5,1*1.5T)	NSP
		003	4860R-0021A	CLAMP	UPPER DP7	NSP
		A02	3041R-D007B	BASE ASSEMBLY	MAIN DP-8 39MM SH	
		013	4400R-0006B	BELT	DECK/MECHA DP2-5, DP7C,DP7A OT	
		014	4470R-0154A	GEAR	DECK/MECHA DP8 PULLEY MOLD	
		015	4681R-A009A	MOTOR ASSEMBLY	DVD LOADING DP-8 - SH	
		016	6871R-9288A	PWB(PCB) ASSEMBLY,TOTAL	DP-8 LOADING -SH	
		017	4470R-0153A	GEAR	DECK/MECHA DP8 LOADING MOLD	
		018	4974R-0055A	GUIDE	DECK/MECHA DP8 UP/DOWN MOLD	
		019	3210R-M006B	FRAME	UP/DOWN DP-8 MOLD	
		020	3040R-M061B	BASE	MAIN DP-8 MOLD	
		015A	4680R-E007A	MOTOR(MECH)	FEEDING BCZ3B01 SANKYO FOR DVD	NSP
		015A	4680R-E008A	MOTOR(MECH)	FEEDING RF-300EA-1D390 MABUCHI	NSP
		015B	4560R-0008A	PULLEY	MOTOR	
		435	1SZZR-0011A	SCREW,DRAWING	MACHINE	
		439	1SZZR-0075A	SCREW,DRAWING	+ 1 D1.7 L10.0 SWRCH18A/FZW DP	

S	AL	LOCA. NO.	PART NO.	DESCRIPTION	SPECIFICATION	REMARKS
		440	1SZZH-1007B	SCREW,DRAWING	+ D2.0 6MM SWRCH16A/ZNBK 4MM 1	
		A03	3041R-D008M	BASE ASSEMBLY	SLED DP8 - SH	
		010	6850R-JW24Y	CABLE,FLAT	P=1.0 FFC UL2896(0.035X0.7) 23	
		021	4680R-E007A	MOTOR(MECH)	FEEDING BCZ3B01 SANKYO FOR DVD	
		021	4680R-E008A	MOTOR(MECH)	FEEDING RF-300EA-1D390 MABUCHI	ALTERNATE
		024	4470R-0151A	GEAR	DECK/MECHA PINION MOLD DP8	
		024A	4470R-0149A	GEAR	DECK/MECHA FEED MOTOR MOLD DP8	
		025	4470R-0150A	GEAR	DECK/MECHA MIDDLE MOLD DP8	
		030	4470R-0152A	GEAR	DECK/MECHA RACK MOLD DP8	
		035	6871R-9283A	PWB(PCB) ASSEMBLY,TOTAL	FEEDING DP8 - SH	
		036	4370H-1024C	SHAFT	P/U (R,GM-RT1332A)	
		431	1SZZR-0062A	SCREW,DRAWING	+ 1 D1.7 L4.5 SWCH18A/NI DP8 P	
		432	1SZZR-0072A	SCREW,DRAWING	+ 1 D1.7 L4.5 SWRCH18A/FZY DP8	
		435	1SZZR-0011A	SCREW,DRAWING	MACHINE	
		035A	6850R-GF10Z	CABLE,FLAT	P=1.0 FFC UL2896(0.05X0.65) 6	
		012	5040R-0083B	RUBBER	DVD DP-8 FRONT LEFT 10 OTHER B	
		012A	5040R-0083A	RUBBER	DVD DP-6, DP-8 FRONT RIGHT 20	
		012B	5040R-0110B	RUBBER	DVD DP-8 REAR LEFT 30 OTHER BL	
		012C	5040R-0110A	RUBBER	DVD REAR DP8 RIGHT 20 OTHER BL	
		026	3390R-0023A	TRAY	DECK/MECHA DP8 DISC MOLD	
		430	1SZZR-0064B	SCREW,DRAWING	+ 1 D1.7 L7.0 SWCH18A/BZN DP8	
*** CABLE ASSEMBLY ***						
		810	6851R-0074D	CABLE ASSEMBLY	1WAY YELLOW 1.2M + 2WAY RW 1.	
		811	6850R-PAA2F	CABLE,COAXIAL	1 WAY COAXIAL DT_HY_HIT_SEIL	
		812	6850R-PBA2H	CABLE,COAXIAL	2 WAY COAXIAL RED_WHITE DT_HY_	
*** PWB(PCB) ASSEMBLY,TOTAL ***						
		A47	6871R-7195N	PWB(PCB) ASSEMBLY,TOTAL	DVN8000S MTK1389 NAD SMPS WIDE	
		BC101	636-004C	FILTER(CIRC),EMC	BEAD CORE BFS3550R2FD8,R T/P	
		BD101	0DRRE00060A	DIODE,RECTIFIERS	DB105-C-S-V50 RECTRON BK NON 6	
		BD101	0DD160000DA	DIODE,RECTIFIERS	S1WBA60 BK SHINDENGEN - 600V -	ALTERNATE
		C101	624-088S	CAPACITOR,DRAWING	MPX104K ETR/EUROPTRONIC BULK	
		C102	624-088S	CAPACITOR,DRAWING	MPX104K ETR/EUROPTRONIC BULK	
		C103	0CE686JU6A0	CAPACITOR,FIXED ELECTROLYTIC	68UF SMH,HC 400V 20% VNSN BULK	
		C104	624-085D	CAPACITOR,FIXED ELECTROLYTIC	CE 47UF/50V KME (SMPS)	
		C107	0CG1020U630	CAPACITOR,FIXED CERAMIC(TEMP.C	1000PF D 400V 20% E(Z5U) R	
		C109	0CE108BF630	CAPACITOR,FIXED ELECTROLYTIC	1000UF KME TYPE 16V 20% FM5 BU	
		C110	0CN223AK948	CAPACITOR,TUBULAR(HIGH DIELEC)	0.022UF 50V Z F TA26 S	
		C112	0CE3376D638	CAPACITOR,FIXED ELECTROLYTIC	330UF SMS,SG 10V 20% FM5 TP 5	
		C113	0CC6810U565	CAPACITOR,FIXED CERAMIC(TEMP.C	680PF D 400V 10% N470 TR	
		C115	0CE3366K638	CAPACITOR,FIXED ELECTROLYTIC	33UF SMS,SG 50V 20% FM5 TP 5	
		C116	0CE477BH630	CAPACITOR,FIXED ELECTROLYTIC	470UF KME TYPE 25V 20% FM5 BUL	
		C117	0CE1074F638	CAPACITOR,FIXED ELECTROLYTIC	100UF SRA,SS 16V 20% FM5 TP 5	
		C118	0CE2276F638	CAPACITOR,FIXED ELECTROLYTIC	220UF SMS,SG 16V 20% FM5 TP 5	
		C119	624-087G	CAPACITOR,FIXED CERAMIC(HIGH D	HIGH-VOL 68PF/1KV SMPS SAMHWA	
		C120	0CE2276F638	CAPACITOR,FIXED ELECTROLYTIC	220UF SMS,SG 16V 20% FM5 TP 5	
		C121	0CE2276F638	CAPACITOR,FIXED ELECTROLYTIC	220UF SMS,SG 16V 20% FM5 TP 5	
		C122	624-085D	CAPACITOR,FIXED ELECTROLYTIC	CE 47UF/50V KME (SMPS)	
		C123	0CE108BF630	CAPACITOR,FIXED ELECTROLYTIC	1000UF KME TYPE 16V 20% FM5 BU	
		C124	0DZ182609AA	DIODE,ZENERS	GDZJ18B 26MM TP GRANDE DO34 0	
		C124	0DZ182609AB	DIODE,ZENERS	UZ-18BSB 26MM TP PYUNG CHANG	ALTERNATE
		C126	0CQ1031Y519	CAPACITOR,FIXED FILM	0.01UF D 630V 10% PE NI TP5	
		C128	0CQ1042K409	CAPACITOR,FIXED FILM	0.1UF S 50V 5% PE TP5	
		C129	0CE1074F638	CAPACITOR,FIXED ELECTROLYTIC	100UF SRA,SS 16V 20% FM5 TP 5	
		C131	0CE1074F638	CAPACITOR,FIXED ELECTROLYTIC	100UF SRA,SS 16V 20% FM5 TP 5	
		C137	0CE3376D638	CAPACITOR,FIXED ELECTROLYTIC	330UF SMS,SG 10V 20% FM5 TP 5	
		D100	0DD221009AA	DIODE,RECTIFIERS	ERA22-10 KFLB,TP ,R T/P,FUJI	
		D100	0DRRE00163A	DIODE,RECTIFIERS	1F7(U FORMING) RECTRON BK NON	ALTERNATE

S	AL	LOCA. NO.	PART NO.	DESCRIPTION	SPECIFICATION	REMARKS
		D100	0DR400709AA	DIODE,RECTIFIERS	10SP07U(SUF4007SP) TP GULF SEM	ALTERNATE
		D103	0DRGF00200A	DIODE,RECTIFIERS	SUF2003(=HER202) GULF BK DO15	
		D103	0DR310000AA	DIODE,RECTIFIERS	RU3YXLF-C1 BK SANKEN - 100V 2A	ALTERNATE
		D103	0DR202000AB	DIODE,RECTIFIERS	HER202 BK RECTRON - 100V 2A 60	ALTERNATE
		D104	0DRGF00239A	DIODE,RECTIFIERS	FR104E GULF TP NON 400V 1A 30A	
		D104	0DD010009AC	DIODE,RECTIFIERS	EU01W(R-FORM) TP SANKEN	ALTERNATE
		D104	0DR104009BA	DIODE,RECTIFIERS	RL104F TP RECTRON - 400V 1A 30	ALTERNATE
		D106	0DRRE00029A	DIODE,RECTIFIERS	1N17 RECTRON TP NON 20V 1A 20	
		D107	0DRGF00239A	DIODE,RECTIFIERS	FR104E GULF TP NON 400V 1A 30A	
		D107	0DR104009BA	DIODE,RECTIFIERS	RL104F TP RECTRON - 400V 1A 30	ALTERNATE
		D107	0DD010009AC	DIODE,RECTIFIERS	EU01W(R-FORM) TP SANKEN	ALTERNATE
		D108	0DR104009BA	DIODE,RECTIFIERS	RL104F TP RECTRON - 400V 1A 30	
		D108	0DRGF00239A	DIODE,RECTIFIERS	FR104E GULF TP NON 400V 1A 30A	ALTERNATE
		D108	0DD010009AC	DIODE,RECTIFIERS	EU01W(R-FORM) TP SANKEN	ALTERNATE
		D109	0DR310000AA	DIODE,RECTIFIERS	RU3YXLF-C1 BK SANKEN - 100V 2A	
		D109	0DRGF00200A	DIODE,RECTIFIERS	SUF2003(=HER202) GULF BK DO15	ALTERNATE
		D109	0DR202000AB	DIODE,RECTIFIERS	HER202 BK RECTRON - 100V 2A 60	ALTERNATE
		D110	0DR104009BA	DIODE,RECTIFIERS	RL104F TP RECTRON - 400V 1A 30	
		D110	0DD010009AC	DIODE,RECTIFIERS	EU01W(R-FORM) TP SANKEN	ALTERNATE
		D110	0DRGF00239A	DIODE,RECTIFIERS	FR104E GULF TP NON 400V 1A 30A	ALTERNATE
		D113	0DRGF00210A	DIODE,RECTIFIERS	1N5822 GULF BK DO201AD 40V 3A	
		D113	0DR810040BA	DIODE,RECTIFIERS	ERC81-004L22 BK FUJI DO201AD 4	ALTERNATE
		D113	0DR158220AA	DIODE,RECTIFIERS	1N5822 BK RECTRON DO201AD 40V	ALTERNATE
		F101	0FS1601B51D	FUSE,SLOW BLOW	1600MA 250 V 5.2X20 CY/GL KS/J	
		FH101	586-008B	HOLDER	FUSE CLIP TP SINSUNG	
		FH102	586-008B	HOLDER	FUSE CLIP TP SINSUNG	
		IC101	0IPMGFA054A	IC,POWER MANAGEMENT	FSDM0265RN FAIRCHILD 8PIN,DIP	
		IC102	657-062B	SENSOR	PC123Y PHOTO-COUPLER(SARPH)	
		IC102	657-063A	SENSOR	LTV-817B,PHOTO COUPLER(LITEON)	ALTERNATE
		IC104	0IKE431000A	IC,KEC	KIA431 3 PIN TP - -	
		IC104	0ISS431000A	IC,SAMSUNG ELECTRONICS	KA431AZ (LM431AZ) - - - -	ALTERNATE
		IC104	0IPMGUK001A	IC,POWER MANAGEMENT	SL431-AT AUK 3PIN TO-92 TP PRO	ALTERNATE
		IC105	0IPMGMA001A	IC,POWER MANAGEMENT	AN80T54 MATSUSHITA 12PIN,FP-12	
		L101	6200JB8013O	FILTER(CIRC),EMC	SQ2116 SAMWAH TECOM BK SQ1116	
		L102	633-088D	COIL,CHOKE	20UH KWANGSUNG LEAD CUT	
		L103	633-088G	COIL,CHOKE	22MH TOKO 5MM TP	
		P101	6631R-E034G	CONNECTOR ASSEMBLY	GIL-S/9073ST 15 PIN 260MM UL1	
		PW101	561-292B	CONNECTOR(CIRC),DRAWING	GP390 LGC 3P 3.96 STRAIGHT SN	
		Q101	0TR319809AC	TRANSISTOR,BIPOLARS	KTC3198 TP KEC - - -BL (KTC181	
		Q101	0TR534309BA	TRANSISTOR,BIPOLARS	2SC5343-L TP AUK TO92 -	ALTERNATE
		Q102	0TR105009AD	TRANSISTOR,BIPOLARS	KRA105M KEC TP TO92 50V 100MA	
		Q102	0TRAU90025A	TRANSISTOR,BIPOLARS	SRA2205MAT AUK KOREA TP TO92 -	ALTERNATE
		Q107	0TR115100AA	TRANSISTOR,BIPOLARS	KSB1151-Y BK SAMSUNG - TO-126	
		Q107	0TR115100AC	TRANSISTOR,BIPOLARS	KTB1151-Y BK KEC TO126 -	ALTERNATE
		Q108	0TR319809AC	TRANSISTOR,BIPOLARS	KTC3198 TP KEC - - -BL (KTC181	
		Q108	0TR534309BA	TRANSISTOR,BIPOLARS	2SC5343-L TP AUK TO92 -	ALTERNATE
		R100	0RD1504H632	RESISTOR,FIXED CARBON FILM	1.5M OHM 1/2 W 5.00% MF10	
		R101	614-007A	RESISTOR,FIXED CEMENT	2.7/2W CEMENT SMPS V	
		R102	0RF0200F708	RESISTOR,VARIABLE[CARBON FILM]	0.2 OHM 1/6 W 10% TA26	
		R103	0RS5602K619	RESISTOR,FIXED METAL OXIDE FIL	56K OHM 2 W 5.00% TR	
		R112	0RD0822F608	RESISTOR,FIXED CARBON FILM	82 OHM 1/6 W 5% TA26	
		R114	0RD1003F608	RESISTOR,FIXED CARBON FILM	100K OHM 1/6 W 5% TA26	
		R115	0RD0332F608	RESISTOR,FIXED CARBON FILM	33 OHM 1/6 W 5% TA26	
		R116	0RD0332F608	RESISTOR,FIXED CARBON FILM	33 OHM 1/6 W 5% TA26	
		R117	0RD2200F608	RESISTOR,FIXED CARBON FILM	220 OHM 1/6 W 5% TA26	
		R118	0RD2200F608	RESISTOR,FIXED CARBON FILM	220 OHM 1/6 W 5% TA26	
		R120	0RD4702F608	RESISTOR,FIXED CARBON FILM	47K OHM 1/6 W 5% TA26	

S	AL	LOCA. NO.	PART NO.	DESCRIPTION	SPECIFICATION	REMARKS
		R121	0RD1201F608	RESISTOR, FIXED CARBON FILM	1.2K OHM 1/6 W 5% TA26	
		R122	0RD2200F608	RESISTOR, FIXED CARBON FILM	220 OHM 1/6 W 5% TA26	
		R124	0RD1800F608	RESISTOR, FIXED CARBON FILM	180 OHM 1/6 W 5% TA26	
		R125	0RD2201F608	RESISTOR, FIXED CARBON FILM	2.2K OHM 1/6 W 5% TA26	
		R126	0RD1001F608	RESISTOR, FIXED CARBON FILM	1K OHM 1/6 W 5% TA26	
		R127	0RN3601E408	RESISTOR, FIXED METAL FILM	3.6K OHM 1/8 W 1.00% TA26	
		R128	0RN3301E408	RESISTOR, FIXED METAL FILM	3.3K OHM 1/8 W 1.00% TA26	
		R130	0RD1002F608	RESISTOR, FIXED CARBON FILM	10K OHM 1/6 W 5% TA26	
		R131	0RD2201F608	RESISTOR, FIXED CARBON FILM	2.2K OHM 1/6 W 5% TA26	
		R132	0RD1002F608	RESISTOR, FIXED CARBON FILM	10K OHM 1/6 W 5% TA26	
		R140	0RD1001F608	RESISTOR, FIXED CARBON FILM	1K OHM 1/6 W 5% TA26	
		R141	0RD1001F608	RESISTOR, FIXED CARBON FILM	1K OHM 1/6 W 5% TA26	
		R145	0RS0562K619	RESISTOR, FIXED METAL OXIDE FIL	56 OHM 2 W 5% TR	
▲		T101	6170RNGW05F	TRANSFORMER, SMPS[COIL]	EER2828 HORIZONTAL SAMWHA SOOJ	
▲		V101	656-004C	VARISTOR, DRAWING	SVC681D-10A SAMHWA 4.O CUT	
		ZD101	0DZ332609FB	DIODE, ZENERS	GDZJ3.3B 26MM GRANDE TP26 DO34	
		ZD102	0DZ222609AA	DIODE, ZENERS	GDZJ22B 26MM GRANDE TP DO34 0	
*** SUB PWB(PCB) ASSEMBLY ***						
		A46	6885R-3333C	SUB PWB(PCB) ASSEMBLY	DVN8021ECM.HA6ENN 55(U) 53(S)	
		IC502A	6957R-9972G	PROGRAM	NV8C3000B. MIH	
		C202	0CH1104K942	CAPACITOR, FIXED CERAMIC(TEMP.C	0.1UF 50V 80%,-20% Y5V(F) 1608	
		C203	0CH1104K942	CAPACITOR, FIXED CERAMIC(TEMP.C	0.1UF 50V 80%,-20% Y5V(F) 1608	
		C204	0CH1104K942	CAPACITOR, FIXED CERAMIC(TEMP.C	0.1UF 50V 80%,-20% Y5V(F) 1608	
		C208	0CH1222K562	CAPACITOR, FIXED CERAMIC(TEMP.C	2200PF 50V 10% X7R(X) 1608 R/T	
		C210	0CH1104K942	CAPACITOR, FIXED CERAMIC(TEMP.C	0.1UF 50V 80%,-20% Y5V(F) 1608	
		C211	0CH1821K562	CAPACITOR, FIXED CERAMIC(TEMP.C	820PF 1608 50V 10% X7R R/TP	
		C212	0CH1104K942	CAPACITOR, FIXED CERAMIC(TEMP.C	0.1UF 50V 80%,-20% Y5V(F) 1608	
		C215	0CH1222K562	CAPACITOR, FIXED CERAMIC(TEMP.C	2200PF 50V 10% X7R(X) 1608 R/T	
		C216	0CH1102K562	CAPACITOR, FIXED CERAMIC(TEMP.C	1000PF 50V 10% X7R(X) 1608 R/T	
		C221	0CH1104K942	CAPACITOR, FIXED CERAMIC(TEMP.C	0.1UF 50V 80%,-20% Y5V(F) 1608	
		C222	0CH1104K942	CAPACITOR, FIXED CERAMIC(TEMP.C	0.1UF 50V 80%,-20% Y5V(F) 1608	
		C501	0CH1105D942	CAPACITOR, FIXED CERAMIC(TEMP.C	1UF 10V 80%,-20% Y5V(F) 1608 R	
		C502	0CH1105D942	CAPACITOR, FIXED CERAMIC(TEMP.C	1UF 10V 80%,-20% Y5V(F) 1608 R	
		C503	0CH1105D942	CAPACITOR, FIXED CERAMIC(TEMP.C	1UF 10V 80%,-20% Y5V(F) 1608 R	
		C504	0CH1105D942	CAPACITOR, FIXED CERAMIC(TEMP.C	1UF 10V 80%,-20% Y5V(F) 1608 R	
		C505	0CH1105D942	CAPACITOR, FIXED CERAMIC(TEMP.C	1UF 10V 80%,-20% Y5V(F) 1608 R	
		C507	0CH1104K942	CAPACITOR, FIXED CERAMIC(TEMP.C	0.1UF 50V 80%,-20% Y5V(F) 1608	
		C508	0CH1104K942	CAPACITOR, FIXED CERAMIC(TEMP.C	0.1UF 50V 80%,-20% Y5V(F) 1608	
		C509	0CH1104K942	CAPACITOR, FIXED CERAMIC(TEMP.C	0.1UF 50V 80%,-20% Y5V(F) 1608	
		C510	0CH1104K942	CAPACITOR, FIXED CERAMIC(TEMP.C	0.1UF 50V 80%,-20% Y5V(F) 1608	
		C512	0CH4331K412	CAPACITOR, FIXED CERAMIC(HIGH D	330PF 50V 5% NP0 1608 R/TP	
		C513	0CH1473K942	CAPACITOR, FIXED CERAMIC(TEMP.C	0.047UF 50V 80%,-20% Y5V(F) 16	
		C514	0CH1153K562	CAPACITOR, FIXED CERAMIC(TEMP.C	0.015UF 50V 10% X7R(X) 1608 R/	
		C515	0CH1104K942	CAPACITOR, FIXED CERAMIC(TEMP.C	0.1UF 50V 80%,-20% Y5V(F) 1608	
		C517	0CH4331K412	CAPACITOR, FIXED CERAMIC(HIGH D	330PF 50V 5% NP0 1608 R/TP	
		C518	0CH1152K562	CAPACITOR, FIXED CERAMIC(TEMP.C	1500PF 50V 10% X7R(X) 1608 R/T	
		C520	0CH1104K942	CAPACITOR, FIXED CERAMIC(TEMP.C	0.1UF 50V 80%,-20% Y5V(F) 1608	
		C521	0CH1104K942	CAPACITOR, FIXED CERAMIC(TEMP.C	0.1UF 50V 80%,-20% Y5V(F) 1608	
		C522	0CH1104K942	CAPACITOR, FIXED CERAMIC(TEMP.C	0.1UF 50V 80%,-20% Y5V(F) 1608	
		C523	0CH1104K942	CAPACITOR, FIXED CERAMIC(TEMP.C	0.1UF 50V 80%,-20% Y5V(F) 1608	
		C524	0CH1104K942	CAPACITOR, FIXED CERAMIC(TEMP.C	0.1UF 50V 80%,-20% Y5V(F) 1608	
		C525	0CH1104K942	CAPACITOR, FIXED CERAMIC(TEMP.C	0.1UF 50V 80%,-20% Y5V(F) 1608	
		C526	0CH1104K942	CAPACITOR, FIXED CERAMIC(TEMP.C	0.1UF 50V 80%,-20% Y5V(F) 1608	
		C527	0CH1104K942	CAPACITOR, FIXED CERAMIC(TEMP.C	0.1UF 50V 80%,-20% Y5V(F) 1608	
		C528	0CH1104K942	CAPACITOR, FIXED CERAMIC(TEMP.C	0.1UF 50V 80%,-20% Y5V(F) 1608	
		C529	0CH1104K942	CAPACITOR, FIXED CERAMIC(TEMP.C	0.1UF 50V 80%,-20% Y5V(F) 1608	
		C530	0CH1104K942	CAPACITOR, FIXED CERAMIC(TEMP.C	0.1UF 50V 80%,-20% Y5V(F) 1608	

S	AL	LOCA. NO.	PART NO.	DESCRIPTION	SPECIFICATION	REMARKS
		C531	0CH1104K942	CAPACITOR, FIXED CERAMIC(TEMP.C	0.1UF 50V 80%,-20% Y5V(F) 1608	
		C532	0CH1104K942	CAPACITOR, FIXED CERAMIC(TEMP.C	0.1UF 50V 80%,-20% Y5V(F) 1608	
		C533	0CH1104K942	CAPACITOR, FIXED CERAMIC(TEMP.C	0.1UF 50V 80%,-20% Y5V(F) 1608	
		C536	0CH4150K412	CAPACITOR, FIXED CERAMIC(HIGH D	15PF 50V 5% NP0 1608 R/TP	
		C537	0CH4120K412	CAPACITOR, FIXED CERAMIC(HIGH D	12PF 50V 5% NP0 1608 R/TP	
		C540	0CH1104K942	CAPACITOR, FIXED CERAMIC(TEMP.C	0.1UF 50V 80%,-20% Y5V(F) 1608	
		C541	0CH1104K942	CAPACITOR, FIXED CERAMIC(TEMP.C	0.1UF 50V 80%,-20% Y5V(F) 1608	
		C543	0CH1104K942	CAPACITOR, FIXED CERAMIC(TEMP.C	0.1UF 50V 80%,-20% Y5V(F) 1608	
		C546	0CH1104K942	CAPACITOR, FIXED CERAMIC(TEMP.C	0.1UF 50V 80%,-20% Y5V(F) 1608	
		C549	0CK474CF94A	CAPACITOR, FIXED CERAMIC(HIGH D	0.47UF 1608 16V 80%,-20% R/TP	
		C551	0CH4391K412	CAPACITOR, FIXED CERAMIC(HIGH D	390PF 50V 5% NP0 1608 R/TP	
		C552	0CH1104K942	CAPACITOR, FIXED CERAMIC(TEMP.C	0.1UF 50V 80%,-20% Y5V(F) 1608	
		C553	0CH1473K942	CAPACITOR, FIXED CERAMIC(TEMP.C	0.047UF 50V 80%,-20% Y5V(F) 16	
		C554	0CH1473K942	CAPACITOR, FIXED CERAMIC(TEMP.C	0.047UF 50V 80%,-20% Y5V(F) 16	
		C555	0CH1105D942	CAPACITOR, FIXED CERAMIC(TEMP.C	1UF 10V 80%,-20% Y5V(F) 1608 R	
		C557	0CH1104K942	CAPACITOR, FIXED CERAMIC(TEMP.C	0.1UF 50V 80%,-20% Y5V(F) 1608	
		C558	0CH1104K942	CAPACITOR, FIXED CERAMIC(TEMP.C	0.1UF 50V 80%,-20% Y5V(F) 1608	
		C559	0CH1105D942	CAPACITOR, FIXED CERAMIC(TEMP.C	1UF 10V 80%,-20% Y5V(F) 1608 R	
		C560	0CH1104K942	CAPACITOR, FIXED CERAMIC(TEMP.C	0.1UF 50V 80%,-20% Y5V(F) 1608	
		C561	0CH1104K942	CAPACITOR, FIXED CERAMIC(TEMP.C	0.1UF 50V 80%,-20% Y5V(F) 1608	
		C562	0CH1102K562	CAPACITOR, FIXED CERAMIC(TEMP.C	1000PF 50V 10% X7R(X) 1608 R/T	
		C563	0CH4200K412	CAPACITOR, FIXED CERAMIC(HIGH D	20PF 50V 5% NP0 1608 R/TP	
		C564	0CH1104K942	CAPACITOR, FIXED CERAMIC(TEMP.C	0.1UF 50V 80%,-20% Y5V(F) 1608	
		C565	0CH1333K562	CAPACITOR, FIXED CERAMIC(TEMP.C	0.033UF 50V 10% X7R(X) 1608 R/	
		C567	0CH1104K942	CAPACITOR, FIXED CERAMIC(TEMP.C	0.1UF 50V 80%,-20% Y5V(F) 1608	
		C568	0CH1104K942	CAPACITOR, FIXED CERAMIC(TEMP.C	0.1UF 50V 80%,-20% Y5V(F) 1608	
		C569	0CH1104K942	CAPACITOR, FIXED CERAMIC(TEMP.C	0.1UF 50V 80%,-20% Y5V(F) 1608	
		C570	0CH1104K942	CAPACITOR, FIXED CERAMIC(TEMP.C	0.1UF 50V 80%,-20% Y5V(F) 1608	
		C571	0CH1104K942	CAPACITOR, FIXED CERAMIC(TEMP.C	0.1UF 50V 80%,-20% Y5V(F) 1608	
		C573	0CH1104K942	CAPACITOR, FIXED CERAMIC(TEMP.C	0.1UF 50V 80%,-20% Y5V(F) 1608	
		C574	0CH1104K942	CAPACITOR, FIXED CERAMIC(TEMP.C	0.1UF 50V 80%,-20% Y5V(F) 1608	
		C575	0CH1103K562	CAPACITOR, FIXED CERAMIC(TEMP.C	0.01UF 50V 10% X7R(X) 1608 R/T	
		C576	0CH1222K562	CAPACITOR, FIXED CERAMIC(TEMP.C	2200PF 50V 10% X7R(X) 1608 R/T	
		C577	0CH1104K942	CAPACITOR, FIXED CERAMIC(TEMP.C	0.1UF 50V 80%,-20% Y5V(F) 1608	
		C578	0CH1104K942	CAPACITOR, FIXED CERAMIC(TEMP.C	0.1UF 50V 80%,-20% Y5V(F) 1608	
		C579	0CH1104K942	CAPACITOR, FIXED CERAMIC(TEMP.C	0.1UF 50V 80%,-20% Y5V(F) 1608	
		C580	0CH1104K942	CAPACITOR, FIXED CERAMIC(TEMP.C	0.1UF 50V 80%,-20% Y5V(F) 1608	
		C581	0CH1104K942	CAPACITOR, FIXED CERAMIC(TEMP.C	0.1UF 50V 80%,-20% Y5V(F) 1608	
		C582	0CH1104K942	CAPACITOR, FIXED CERAMIC(TEMP.C	0.1UF 50V 80%,-20% Y5V(F) 1608	
		C583	0CH1104K942	CAPACITOR, FIXED CERAMIC(TEMP.C	0.1UF 50V 80%,-20% Y5V(F) 1608	
		C584	0CH1104K942	CAPACITOR, FIXED CERAMIC(TEMP.C	0.1UF 50V 80%,-20% Y5V(F) 1608	
		C585	0CH1104K942	CAPACITOR, FIXED CERAMIC(TEMP.C	0.1UF 50V 80%,-20% Y5V(F) 1608	
		C586	0CH1104K942	CAPACITOR, FIXED CERAMIC(TEMP.C	0.1UF 50V 80%,-20% Y5V(F) 1608	
		C587	0CH1104K942	CAPACITOR, FIXED CERAMIC(TEMP.C	0.1UF 50V 80%,-20% Y5V(F) 1608	
		C593	0CH4221K412	CAPACITOR, FIXED CERAMIC(HIGH D	220PF 50V 5% NP0 1608 R/TP	
		C594	0CH4221K412	CAPACITOR, FIXED CERAMIC(HIGH D	220PF 50V 5% NP0 1608 R/TP	
		C595	0CH1104K942	CAPACITOR, FIXED CERAMIC(TEMP.C	0.1UF 50V 80%,-20% Y5V(F) 1608	
		C597	0CH4221K412	CAPACITOR, FIXED CERAMIC(HIGH D	220PF 50V 5% NP0 1608 R/TP	
		C598	0CH1104K942	CAPACITOR, FIXED CERAMIC(TEMP.C	0.1UF 50V 80%,-20% Y5V(F) 1608	
		C5A2	0CH4470K412	CAPACITOR, FIXED CERAMIC(HIGH D	47PF 50V 5% NP0 1608 R/TP	
		C5A8	0CH1104K942	CAPACITOR, FIXED CERAMIC(TEMP.C	0.1UF 50V 80%,-20% Y5V(F) 1608	
		C5A9	0CH4221K412	CAPACITOR, FIXED CERAMIC(HIGH D	220PF 50V 5% NP0 1608 R/TP	
		C5B1	0CH4221K412	CAPACITOR, FIXED CERAMIC(HIGH D	220PF 50V 5% NP0 1608 R/TP	
		C5B4	0CH1104K942	CAPACITOR, FIXED CERAMIC(TEMP.C	0.1UF 50V 80%,-20% Y5V(F) 1608	
		C5B5	0CH1104K942	CAPACITOR, FIXED CERAMIC(TEMP.C	0.1UF 50V 80%,-20% Y5V(F) 1608	
		C5B7	0CH1104K942	CAPACITOR, FIXED CERAMIC(TEMP.C	0.1UF 50V 80%,-20% Y5V(F) 1608	
		C5B8	0CH1104K942	CAPACITOR, FIXED CERAMIC(TEMP.C	0.1UF 50V 80%,-20% Y5V(F) 1608	

S	AL	LOCA. NO.	PART NO.	DESCRIPTION	SPECIFICATION	REMARKS
		C600	0CH1104K942	CAPACITOR, FIXED CERAMIC(TEMP.C	0.1UF 50V 80%,-20% Y5V(F) 1608	
		C603	0CH1104K942	CAPACITOR, FIXED CERAMIC(TEMP.C	0.1UF 50V 80%,-20% Y5V(F) 1608	
		C604	0CH1105D942	CAPACITOR, FIXED CERAMIC(TEMP.C	1UF 10V 80%,-20% Y5V(F) 1608 R	
		C605	0CH1105D942	CAPACITOR, FIXED CERAMIC(TEMP.C	1UF 10V 80%,-20% Y5V(F) 1608 R	
		C606	0CH1104K942	CAPACITOR, FIXED CERAMIC(TEMP.C	0.1UF 50V 80%,-20% Y5V(F) 1608	
		C609	0CH1102K562	CAPACITOR, FIXED CERAMIC(TEMP.C	1000PF 50V 10% X7R(X) 1608 R/T	
		C610	0CH4271K412	CAPACITOR, FIXED CERAMIC(HIGH D	270PF 50V 5% NP0 1608 R/TP	
		C611	0CH4271K412	CAPACITOR, FIXED CERAMIC(HIGH D	270PF 50V 5% NP0 1608 R/TP	
		C613	0CH4271K412	CAPACITOR, FIXED CERAMIC(HIGH D	270PF 50V 5% NP0 1608 R/TP	
		C614	0CH4271K412	CAPACITOR, FIXED CERAMIC(HIGH D	270PF 50V 5% NP0 1608 R/TP	
		C615	0CH1102K562	CAPACITOR, FIXED CERAMIC(TEMP.C	1000PF 50V 10% X7R(X) 1608 R/T	
		C618	0CH1104K942	CAPACITOR, FIXED CERAMIC(TEMP.C	0.1UF 50V 80%,-20% Y5V(F) 1608	
		C623	0CH1392K562	CAPACITOR, FIXED CERAMIC(TEMP.C	3900PF 50V 10% X7R(X) 1608 R/T	
		C624	0CH1392K562	CAPACITOR, FIXED CERAMIC(TEMP.C	3900PF 50V 10% X7R(X) 1608 R/T	
		C633	0CH1104K942	CAPACITOR, FIXED CERAMIC(TEMP.C	0.1UF 50V 80%,-20% Y5V(F) 1608	
		C635	0CH1104K942	CAPACITOR, FIXED CERAMIC(TEMP.C	0.1UF 50V 80%,-20% Y5V(F) 1608	
		C637	0CH1104K942	CAPACITOR, FIXED CERAMIC(TEMP.C	0.1UF 50V 80%,-20% Y5V(F) 1608	
		C673	0CH1104K942	CAPACITOR, FIXED CERAMIC(TEMP.C	0.1UF 50V 80%,-20% Y5V(F) 1608	
		C674	0CH1104K942	CAPACITOR, FIXED CERAMIC(TEMP.C	0.1UF 50V 80%,-20% Y5V(F) 1608	
		C676	0CH1104K942	CAPACITOR, FIXED CERAMIC(TEMP.C	0.1UF 50V 80%,-20% Y5V(F) 1608	
		C677	0CH1104K942	CAPACITOR, FIXED CERAMIC(TEMP.C	0.1UF 50V 80%,-20% Y5V(F) 1608	
		C678	0CH1104K942	CAPACITOR, FIXED CERAMIC(TEMP.C	0.1UF 50V 80%,-20% Y5V(F) 1608	
		C680	0CH1104K942	CAPACITOR, FIXED CERAMIC(TEMP.C	0.1UF 50V 80%,-20% Y5V(F) 1608	
		C681	0CH1104K942	CAPACITOR, FIXED CERAMIC(TEMP.C	0.1UF 50V 80%,-20% Y5V(F) 1608	
		C682	0CH1104K942	CAPACITOR, FIXED CERAMIC(TEMP.C	0.1UF 50V 80%,-20% Y5V(F) 1608	
		C683	0CH1104K942	CAPACITOR, FIXED CERAMIC(TEMP.C	0.1UF 50V 80%,-20% Y5V(F) 1608	
		C691	0CH1104K942	CAPACITOR, FIXED CERAMIC(TEMP.C	0.1UF 50V 80%,-20% Y5V(F) 1608	
		C6A1	0CH1104K942	CAPACITOR, FIXED CERAMIC(TEMP.C	0.1UF 50V 80%,-20% Y5V(F) 1608	
		C6A2	0CH1104K942	CAPACITOR, FIXED CERAMIC(TEMP.C	0.1UF 50V 80%,-20% Y5V(F) 1608	
		C6A3	0CH1104K942	CAPACITOR, FIXED CERAMIC(TEMP.C	0.1UF 50V 80%,-20% Y5V(F) 1608	
		C6B1	0CH1103K562	CAPACITOR, FIXED CERAMIC(TEMP.C	0.01UF 50V 10% X7R(X) 1608 R/T	
		C6W1	0CH1104K942	CAPACITOR, FIXED CERAMIC(TEMP.C	0.1UF 50V 80%,-20% Y5V(F) 1608	
		C6W2	0CH1104K942	CAPACITOR, FIXED CERAMIC(TEMP.C	0.1UF 50V 80%,-20% Y5V(F) 1608	
		C6W4	0CH4101K412	CAPACITOR, FIXED CERAMIC(HIGH D	100PF 50V 5% NP0 1608 R/TP	
		C6W5	0CH4270K412	CAPACITOR, FIXED CERAMIC(HIGH D	27PF 50V 5% NP0 1608 R/TP	
		C6W6	0CH4101K412	CAPACITOR, FIXED CERAMIC(HIGH D	100PF 50V 5% NP0 1608 R/TP	
		CN201	6630XE00123	CONNECTOR (CIRC),FFC/FPC	04-6232-023-010-801+/JE500-B1.	
		CN202	6630XE00106	CONNECTOR (CIRC),FFC/FPC	JE500-B1.0-T06/04-6232-006-010	
		CN203	6630XE00105	CONNECTOR (CIRC),FFC/FPC	JE500-B1.0-T05/04-6232-005-010	
		CN502	6630XE00118	CONNECTOR (CIRC),FFC/FPC	04-6232-018-010-801+/JE500-B1.	
		CN601	6630XE00118	CONNECTOR (CIRC),FFC/FPC	04-6232-018-010-801+/JE500-B1.	
		D600	0DSRM00118A	DIODE, SWITCHING	DAP202K T146 ROHM R/TP SMD 80V	
		D600	0DD181009AA	DIODE, DRAWING	DIODE CHIP KDS181-T1(A3) KEC	ALTERNATE
		F600	6200JB8010V	FILTER(CIRC),EMC	LFA20-2A1E473MT MITSUBISHI MAT	
		IC201	0ILNRJ001A	IC, LINEAR	IP4504 INTERPION 28PIN, SSOPH-3	
		IC201	0ILNRJ001B	IC, LINEAR	IP4504ALTF INTERPION 28PIN, SSO	ALTERNATE
		IC501	0ILNRNF009B	IC, LINEAR	MT1389FE/CO2-L MEDIATEK INCORP	
		IC503	0IMMRHY001E	IC, MEMORIES	HY57V641620HGT-7 HYUNDAI 54PIN	
		IC503	0IMMREB004A	IC, MEMORIES	M12L64164A-7T ELITE MEMORY TEC	ALTERNATE
		IC506	0ISS240210A	IC, SAMSUNG ELECTRONICS	S524A40X21-SCT0 SOP8 TP EEPROM	
		IC507	0IFA742440F	IC, FAIRCHILD	MM74HCT244SJ 20P SOIC TP 3-STA	
		IC601	0IPRPCI003C	IC, PERIPHERALS	CS4391A-KZR CIRRUS LOGIC 20PIN	
		IC601	0IPRPCI003B	IC, PERIPHERALS	CS4391-KZR CIRRUS LOGIC 20 TSS	ALTERNATE
		IC602	0ILNRBB003A	IC, LINEAR	0PA2604AU BUR BROWN 8P SOP R/T	
		IC604	0IPRPMT008A	IC, PERIPHERALS	MM1623XFBE MITSUMI 28PIN SOP R	
		L202	6200HJC102A	FILTER(CIRC),EMC	HB-1M2012-102JT CERATECH TP	
		L204	6200HJC102A	FILTER(CIRC),EMC	HB-1M2012-102JT CERATECH TP	

S	AL	LOCA. NO.	PART NO.	DESCRIPTION	SPECIFICATION	REMARKS
		L205	0LCCE00004E	INDUCTOR,CHIP	FI-C2012-103KJT (10UH) CERATEC	
		L206	6200HJC102A	FILTER(CIRC),EMC	HB-1M2012-102JT CERATECH TP	
		L502	6200HJC102A	FILTER(CIRC),EMC	HB-1M2012-102JT CERATECH TP	
		L503	6200HJC102A	FILTER(CIRC),EMC	HB-1M2012-102JT CERATECH TP	
		L504	6200HJC102A	FILTER(CIRC),EMC	HB-1M2012-102JT CERATECH TP	
		L505	6200HJC102A	FILTER(CIRC),EMC	HB-1M2012-102JT CERATECH TP	
		L509	6200HJC102A	FILTER(CIRC),EMC	HB-1M2012-102JT CERATECH TP	
		L510	6200HJC102A	FILTER(CIRC),EMC	HB-1M2012-102JT CERATECH TP	
		L600	6200HJC102A	FILTER(CIRC),EMC	HB-1M2012-102JT CERATECH TP	
		L601	6200HJC102A	FILTER(CIRC),EMC	HB-1M2012-102JT CERATECH TP	
		L602	6200HJC102A	FILTER(CIRC),EMC	HB-1M2012-102JT CERATECH TP	
		L673	6200HJC102A	FILTER(CIRC),EMC	HB-1M2012-102JT CERATECH TP	
		L674	6200HJC102A	FILTER(CIRC),EMC	HB-1M2012-102JT CERATECH TP	
		L690	6200HJC102A	FILTER(CIRC),EMC	HB-1M2012-102JT CERATECH TP	
		Q201	0TR387509AC	TRANSISTOR,BIPOLARS	CHIP KTC3875S-GR-T1(ALG) TP KE	
		Q201	0TRON80009A	TRANSISTOR,BIPOLARS	BC846ALT1 ON SEMI(MOTOROLA) R/	ALTERNATE
		Q201	0TRAU80017A	TRANSISTOR,BIPOLARS	2SC5343SG AUK KOREA R/TP SOT23	ALTERNATE
		Q202	0TRRH80042A	TRANSISTOR,BIPOLARS	2SK3018 T106 ROHM KOREA R/TP U	
		Q203	0TRRH80042A	TRANSISTOR,BIPOLARS	2SK3018 T106 ROHM KOREA R/TP U	
		Q204	0TR150409AC	TRANSISTOR,BIPOLARS	KTA1504 TP KEC - -GR-T1(ASG) C	
		Q205	0TR150409AC	TRANSISTOR,BIPOLARS	KTA1504 TP KEC - -GR-T1(ASG) C	
		Q600	0TR150409AC	TRANSISTOR,BIPOLARS	KTA1504 TP KEC - -GR-T1(ASG) C	
		Q601	0TR103009AC	TRANSISTOR,BIPOLARS	KRA103S-T1(PC)22-22 CHIP TP KE	
		Q601	0TRAU80012A	TRANSISTOR,BIPOLARS	SRA2203S AUK KOREA R/TP SOT23	ALTERNATE
		Q601	0TRON80007A	TRANSISTOR,BIPOLARS	MMUN2112LT1 ON SEMI(MOTOROLA)	ALTERNATE
		Q602	0TR103009AC	TRANSISTOR,BIPOLARS	KRA103S-T1(PC)22-22 CHIP TP KE	
		Q602	0TRAU80012A	TRANSISTOR,BIPOLARS	SRA2203S AUK KOREA R/TP SOT23	ALTERNATE
		Q602	0TRON80007A	TRANSISTOR,BIPOLARS	MMUN2112LT1 ON SEMI(MOTOROLA)	ALTERNATE
		Q603	0TR387509AC	TRANSISTOR,BIPOLARS	CHIP KTC3875S-GR-T1(ALG) TP KE	
		Q603	0TRAU80017A	TRANSISTOR,BIPOLARS	2SC5343SG AUK KOREA R/TP SOT23	ALTERNATE
		Q603	0TRON80009A	TRANSISTOR,BIPOLARS	BC846ALT1 ON SEMI(MOTOROLA) R/	ALTERNATE
		Q604	0TRAU80017A	TRANSISTOR,BIPOLARS	2SC5343SG AUK KOREA R/TP SOT23	
		Q604	0TRON80009A	TRANSISTOR,BIPOLARS	BC846ALT1 ON SEMI(MOTOROLA) R/	ALTERNATE
		Q604	0TR387509AC	TRANSISTOR,BIPOLARS	CHIP KTC3875S-GR-T1(ALG) TP KE	ALTERNATE
		Q605	0TRAU80017A	TRANSISTOR,BIPOLARS	2SC5343SG AUK KOREA R/TP SOT23	
		Q605	0TRON80009A	TRANSISTOR,BIPOLARS	BC846ALT1 ON SEMI(MOTOROLA) R/	ALTERNATE
		Q605	0TR387509AC	TRANSISTOR,BIPOLARS	CHIP KTC3875S-GR-T1(ALG) TP KE	ALTERNATE
		Q606	0TRAU80017A	TRANSISTOR,BIPOLARS	2SC5343SG AUK KOREA R/TP SOT23	
		Q606	0TRON80009A	TRANSISTOR,BIPOLARS	BC846ALT1 ON SEMI(MOTOROLA) R/	ALTERNATE
		Q606	0TR387509AC	TRANSISTOR,BIPOLARS	CHIP KTC3875S-GR-T1(ALG) TP KE	ALTERNATE
		Q6T0	0TRAU80017A	TRANSISTOR,BIPOLARS	2SC5343SG AUK KOREA R/TP SOT23	
		Q6T0	0TR387509AC	TRANSISTOR,BIPOLARS	CHIP KTC3875S-GR-T1(ALG) TP KE	ALTERNATE
		Q6T0	0TRON80009A	TRANSISTOR,BIPOLARS	BC846ALT1 ON SEMI(MOTOROLA) R/	ALTERNATE
		R201	0RH1002C622	RESISTOR,METAL GLAZED(CHIP)	10K OHM 1 / 16 W 1608 5.00% D	
		R202	0RH1003C622	RESISTOR,METAL GLAZED(CHIP)	100K OHM 1 / 16 W 1608 5.00% D	
		R203	0RH1002C622	RESISTOR,METAL GLAZED(CHIP)	10K OHM 1 / 16 W 1608 5.00% D	
		R204	0RH1003C622	RESISTOR,METAL GLAZED(CHIP)	100K OHM 1 / 16 W 1608 5.00% D	
		R205	0RH0000C622	RESISTOR,METAL GLAZED(CHIP)	0 OHM 1 / 16 W 1608 5.00% D	
		R206	0RH0000C622	RESISTOR,METAL GLAZED(CHIP)	0 OHM 1 / 16 W 1608 5.00% D	
		R207	0RH0000C622	RESISTOR,METAL GLAZED(CHIP)	0 OHM 1 / 16 W 1608 5.00% D	
		R208	0RH0000C622	RESISTOR,METAL GLAZED(CHIP)	0 OHM 1 / 16 W 1608 5.00% D	
		R209	0RH0000C622	RESISTOR,METAL GLAZED(CHIP)	0 OHM 1 / 16 W 1608 5.00% D	
		R210	0RH0000C622	RESISTOR,METAL GLAZED(CHIP)	0 OHM 1 / 16 W 1608 5.00% D	
		R211	0RH0000C622	RESISTOR,METAL GLAZED(CHIP)	0 OHM 1 / 16 W 1608 5.00% D	
		R212	0RH1002C622	RESISTOR,METAL GLAZED(CHIP)	10K OHM 1 / 16 W 1608 5.00% D	
		R213	0RH0331C622	RESISTOR,METAL GLAZED(CHIP)	3.3 OHM 1 / 16 W 1608 5.00% D	
		R214	0RH0471C622	RESISTOR,METAL GLAZED(CHIP)	4.7 OHM 1 / 16 W 1608 5.00% D	

S	AL	LOCA. NO.	PART NO.	DESCRIPTION	SPECIFICATION	REMARKS
		R215	0RH0000C622	RESISTOR,METAL GLAZED(CHIP)	0 OHM 1 / 16 W 1608 5.00% D	
		R216	0RH0000C622	RESISTOR,METAL GLAZED(CHIP)	0 OHM 1 / 16 W 1608 5.00% D	
		R217	0RJ7503C677	RESISTOR,METAL GLAZED(CHIP)	750K OHM 1/16 W 5% 1608 R/TP	
		R218	0RJ7503C677	RESISTOR,METAL GLAZED(CHIP)	750K OHM 1/16 W 5% 1608 R/TP	
		R219	0RH0000C622	RESISTOR,METAL GLAZED(CHIP)	0 OHM 1 / 16 W 1608 5.00% D	
		R220	0RH3903C622	RESISTOR,METAL GLAZED(CHIP)	390K OHM 1 / 16 W 1608 5.00% D	
		R221	0RH3903C622	RESISTOR,METAL GLAZED(CHIP)	390K OHM 1 / 16 W 1608 5.00% D	
		R222	0RH0101C622	RESISTOR,METAL GLAZED(CHIP)	1 OHM 1 / 16 W 1608 5.00% D	
		R223	0RH0000C622	RESISTOR,METAL GLAZED(CHIP)	0 OHM 1 / 16 W 1608 5.00% D	
		R224	0RH0000C622	RESISTOR,METAL GLAZED(CHIP)	0 OHM 1 / 16 W 1608 5.00% D	
		R225	0RH0000C622	RESISTOR,METAL GLAZED(CHIP)	0 OHM 1 / 16 W 1608 5.00% D	
		R226	0RH0000C622	RESISTOR,METAL GLAZED(CHIP)	0 OHM 1 / 16 W 1608 5.00% D	
		R227	0RH5601C622	RESISTOR,METAL GLAZED(CHIP)	5.6K OHM 1 / 16 W 1608 5.00% D	
		R228	0RH2701C622	RESISTOR,METAL GLAZED(CHIP)	2.7K OHM 1 / 16 W 1608 5.00% D	
		R231	0RH0101C622	RESISTOR,METAL GLAZED(CHIP)	1 OHM 1 / 16 W 1608 5.00% D	
		R232	0RH0101C622	RESISTOR,METAL GLAZED(CHIP)	1 OHM 1 / 16 W 1608 5.00% D	
		R233	0RH0101C622	RESISTOR,METAL GLAZED(CHIP)	1 OHM 1 / 16 W 1608 5.00% D	
		R234	0RH0101C622	RESISTOR,METAL GLAZED(CHIP)	1 OHM 1 / 16 W 1608 5.00% D	
		R236	0RH0000C622	RESISTOR,METAL GLAZED(CHIP)	0 OHM 1 / 16 W 1608 5.00% D	
		R239	0RH1002C622	RESISTOR,METAL GLAZED(CHIP)	10K OHM 1 / 16 W 1608 5.00% D	
		R240	0RH5602C622	RESISTOR,METAL GLAZED(CHIP)	56K OHM 1 / 16 W 1608 5.00% D	
		R243	0RH1002C622	RESISTOR,METAL GLAZED(CHIP)	10K OHM 1 / 16 W 1608 5.00% D	
		R244	0RH2201C622	RESISTOR,METAL GLAZED(CHIP)	2.2K OHM 1 / 16 W 1608 5.00% D	
		R246	0RH1002C622	RESISTOR,METAL GLAZED(CHIP)	10K OHM 1 / 16 W 1608 5.00% D	
		R504	0RH2202C622	RESISTOR,METAL GLAZED(CHIP)	22K OHM 1 / 16 W 1608 5.00% D	
		R505	0RH2202C622	RESISTOR,METAL GLAZED(CHIP)	22K OHM 1 / 16 W 1608 5.00% D	
		R506	0RH6801C622	RESISTOR,METAL GLAZED(CHIP)	6.8K OHM 1 / 16 W 1608 5.00% D	
		R507	0RH2202C622	RESISTOR,METAL GLAZED(CHIP)	22K OHM 1 / 16 W 1608 5.00% D	
		R508	0RH6801C622	RESISTOR,METAL GLAZED(CHIP)	6.8K OHM 1 / 16 W 1608 5.00% D	
		R509	0RH1002C622	RESISTOR,METAL GLAZED(CHIP)	10K OHM 1 / 16 W 1608 5.00% D	
		R510	0RH0332C622	RESISTOR,METAL GLAZED(CHIP)	33 OHM 1 / 16 W 1608 5.00% D	
		R511	0RH1001C622	RESISTOR,METAL GLAZED(CHIP)	1K OHM 1 / 16 W 1608 5.00% D	
		R512	0RH0332C622	RESISTOR,METAL GLAZED(CHIP)	33 OHM 1 / 16 W 1608 5.00% D	
		R513	0RH0332C622	RESISTOR,METAL GLAZED(CHIP)	33 OHM 1 / 16 W 1608 5.00% D	
		R514	0RH0332C622	RESISTOR,METAL GLAZED(CHIP)	33 OHM 1 / 16 W 1608 5.00% D	
		R515	0RH0332C622	RESISTOR,METAL GLAZED(CHIP)	33 OHM 1 / 16 W 1608 5.00% D	
		R516	0RH0332C622	RESISTOR,METAL GLAZED(CHIP)	33 OHM 1 / 16 W 1608 5.00% D	
		R517	0RH0332C622	RESISTOR,METAL GLAZED(CHIP)	33 OHM 1 / 16 W 1608 5.00% D	
		R518	0RH0681C622	RESISTOR,METAL GLAZED(CHIP)	6.8 OHM 1 / 16 W 1608 5.00% D	
		R520	0RH0332C622	RESISTOR,METAL GLAZED(CHIP)	33 OHM 1 / 16 W 1608 5.00% D	
		R521	0RH0332C622	RESISTOR,METAL GLAZED(CHIP)	33 OHM 1 / 16 W 1608 5.00% D	
		R522	0RH2001C622	RESISTOR,METAL GLAZED(CHIP)	2K OHM 1 / 16 W 1608 5.00% D	
		R523	0RH0000C622	RESISTOR,METAL GLAZED(CHIP)	0 OHM 1 / 16 W 1608 5.00% D	
		R524	0RH0000C622	RESISTOR,METAL GLAZED(CHIP)	0 OHM 1 / 16 W 1608 5.00% D	
		R525	0RJ7503C677	RESISTOR,METAL GLAZED(CHIP)	750K OHM 1/16 W 5% 1608 R/TP	
		R526	0RH1003C622	RESISTOR,METAL GLAZED(CHIP)	100K OHM 1 / 16 W 1608 5.00% D	
		R527	0RH1502C622	RESISTOR,METAL GLAZED(CHIP)	15K OHM 1 / 16 W 1608 5.00% D	
		R528	0RH1002C622	RESISTOR,METAL GLAZED(CHIP)	10K OHM 1 / 16 W 1608 5.00% D	
		R529	0RH0000C622	RESISTOR,METAL GLAZED(CHIP)	0 OHM 1 / 16 W 1608 5.00% D	
		R530	0RH0000C622	RESISTOR,METAL GLAZED(CHIP)	0 OHM 1 / 16 W 1608 5.00% D	
		R531	0RH1001C622	RESISTOR,METAL GLAZED(CHIP)	1K OHM 1 / 16 W 1608 5.00% D	
		R532	0RH1001C622	RESISTOR,METAL GLAZED(CHIP)	1K OHM 1 / 16 W 1608 5.00% D	
		R533	0RH4701C622	RESISTOR,METAL GLAZED(CHIP)	4.7K OHM 1 / 16 W 1608 5.00% D	
		R549	0RH0000C622	RESISTOR,METAL GLAZED(CHIP)	0 OHM 1 / 16 W 1608 5.00% D	
		R556	0RH1201C622	RESISTOR,METAL GLAZED(CHIP)	1.2K OHM 1 / 16 W 1608 5.00% D	
		R557	0RH1201C622	RESISTOR,METAL GLAZED(CHIP)	1.2K OHM 1 / 16 W 1608 5.00% D	
		R558	0RH1201C622	RESISTOR,METAL GLAZED(CHIP)	1.2K OHM 1 / 16 W 1608 5.00% D	

S	AL	LOCA. NO.	PART NO.	DESCRIPTION	SPECIFICATION	REMARKS
		R559	0RH1201C622	RESISTOR,METAL GLAZED(CHIP)	1.2K OHM 1 / 16 W 1608 5.00% D	
		R560	0RH1201C622	RESISTOR,METAL GLAZED(CHIP)	1.2K OHM 1 / 16 W 1608 5.00% D	
		R565	0RH0102C622	RESISTOR,METAL GLAZED(CHIP)	10 OHM 1 / 16 W 1608 5.00% D	
		R566	0RH1003C622	RESISTOR,METAL GLAZED(CHIP)	100K OHM 1 / 16 W 1608 5.00% D	
		R569	0RH4701C622	RESISTOR,METAL GLAZED(CHIP)	4.7K OHM 1 / 16 W 1608 5.00% D	
		R570	0RH1001C622	RESISTOR,METAL GLAZED(CHIP)	1K OHM 1 / 16 W 1608 5.00% D	
		R571	0RH1002C622	RESISTOR,METAL GLAZED(CHIP)	10K OHM 1 / 16 W 1608 5.00% D	
		R580	0RH4701C622	RESISTOR,METAL GLAZED(CHIP)	4.7K OHM 1 / 16 W 1608 5.00% D	
		R5D1	0RH1002C622	RESISTOR,METAL GLAZED(CHIP)	10K OHM 1 / 16 W 1608 5.00% D	
		R5D2	0RH1002C622	RESISTOR,METAL GLAZED(CHIP)	10K OHM 1 / 16 W 1608 5.00% D	
		R5E7	0RH1002C622	RESISTOR,METAL GLAZED(CHIP)	10K OHM 1 / 16 W 1608 5.00% D	
		R600	0RH1001C622	RESISTOR,METAL GLAZED(CHIP)	1K OHM 1 / 16 W 1608 5.00% D	
		R601	0RH0000C622	RESISTOR,METAL GLAZED(CHIP)	0 OHM 1 / 16 W 1608 5.00% D	
		R602	0RH0000C622	RESISTOR,METAL GLAZED(CHIP)	0 OHM 1 / 16 W 1608 5.00% D	
		R603	0RH0000C622	RESISTOR,METAL GLAZED(CHIP)	0 OHM 1 / 16 W 1608 5.00% D	
		R605	0RH7501C622	RESISTOR,METAL GLAZED(CHIP)	7.5K OHM 1 / 16 W 1608 5.00% D	
		R606	0RH7501C622	RESISTOR,METAL GLAZED(CHIP)	7.5K OHM 1 / 16 W 1608 5.00% D	
		R607	0RH8201C622	RESISTOR,METAL GLAZED(CHIP)	8.2K OHM 1 / 16 W 1608 5.00% D	
		R608	0RH1801C622	RESISTOR,METAL GLAZED(CHIP)	1.8K OHM 1 / 16 W 1608 5.00% D	
		R609	0RH1801C622	RESISTOR,METAL GLAZED(CHIP)	1.8K OHM 1 / 16 W 1608 5.00% D	
		R610	0RH8201C622	RESISTOR,METAL GLAZED(CHIP)	8.2K OHM 1 / 16 W 1608 5.00% D	
		R611	0RH8201C622	RESISTOR,METAL GLAZED(CHIP)	8.2K OHM 1 / 16 W 1608 5.00% D	
		R612	0RH5601C622	RESISTOR,METAL GLAZED(CHIP)	5.6K OHM 1 / 16 W 1608 5.00% D	
		R613	0RH4701C622	RESISTOR,METAL GLAZED(CHIP)	4.7K OHM 1 / 16 W 1608 5.00% D	
		R614	0RH1801C622	RESISTOR,METAL GLAZED(CHIP)	1.8K OHM 1 / 16 W 1608 5.00% D	
		R615	0RH1801C622	RESISTOR,METAL GLAZED(CHIP)	1.8K OHM 1 / 16 W 1608 5.00% D	
		R616	0RH8201C622	RESISTOR,METAL GLAZED(CHIP)	8.2K OHM 1 / 16 W 1608 5.00% D	
		R617	0RH7501C622	RESISTOR,METAL GLAZED(CHIP)	7.5K OHM 1 / 16 W 1608 5.00% D	
		R618	0RH7501C622	RESISTOR,METAL GLAZED(CHIP)	7.5K OHM 1 / 16 W 1608 5.00% D	
		R619	0RH3300C622	RESISTOR,METAL GLAZED(CHIP)	330 OHM 1 / 16 W 1608 5.00% D	
		R620	0RH3300C622	RESISTOR,METAL GLAZED(CHIP)	330 OHM 1 / 16 W 1608 5.00% D	
		R621	0RH2200C622	RESISTOR,METAL GLAZED(CHIP)	220 OHM 1 / 16 W 1608 5.00% D	
		R622	0RH2200C622	RESISTOR,METAL GLAZED(CHIP)	220 OHM 1 / 16 W 1608 5.00% D	
		R623	0RH1003C622	RESISTOR,METAL GLAZED(CHIP)	100K OHM 1 / 16 W 1608 5.00% D	
		R624	0RH1003C622	RESISTOR,METAL GLAZED(CHIP)	100K OHM 1 / 16 W 1608 5.00% D	
		R625	0RH1002C622	RESISTOR,METAL GLAZED(CHIP)	10K OHM 1 / 16 W 1608 5.00% D	
		R626	0RH1001C622	RESISTOR,METAL GLAZED(CHIP)	1K OHM 1 / 16 W 1608 5.00% D	
		R627	0RH1001C622	RESISTOR,METAL GLAZED(CHIP)	1K OHM 1 / 16 W 1608 5.00% D	
		R628	0RH1001C622	RESISTOR,METAL GLAZED(CHIP)	1K OHM 1 / 16 W 1608 5.00% D	
		R629	0RH1001C622	RESISTOR,METAL GLAZED(CHIP)	1K OHM 1 / 16 W 1608 5.00% D	
		R634	0RH1001C622	RESISTOR,METAL GLAZED(CHIP)	1K OHM 1 / 16 W 1608 5.00% D	
		R635	0RH4701C622	RESISTOR,METAL GLAZED(CHIP)	4.7K OHM 1 / 16 W 1608 5.00% D	
		R636	0RH4701C622	RESISTOR,METAL GLAZED(CHIP)	4.7K OHM 1 / 16 W 1608 5.00% D	
		R638	0RH0000C622	RESISTOR,METAL GLAZED(CHIP)	0 OHM 1 / 16 W 1608 5.00% D	
		R640	0RH1500C422	RESISTOR,METAL GLAZED(CHIP)	150 OHM 1 / 16 W 1608 1.00% D	
		R643	0RH1500C422	RESISTOR,METAL GLAZED(CHIP)	150 OHM 1 / 16 W 1608 1.00% D	
		R649	0RH1500C422	RESISTOR,METAL GLAZED(CHIP)	150 OHM 1 / 16 W 1608 1.00% D	
		R652	0RH1500C422	RESISTOR,METAL GLAZED(CHIP)	150 OHM 1 / 16 W 1608 1.00% D	
		R655	0RH1500C422	RESISTOR,METAL GLAZED(CHIP)	150 OHM 1 / 16 W 1608 1.00% D	
		R656	0RH0000C622	RESISTOR,METAL GLAZED(CHIP)	0 OHM 1 / 16 W 1608 5.00% D	
		R661	0RH0752C622	RESISTOR,METAL GLAZED(CHIP)	75 OHM 1 / 16 W 1608 5.00% D	
		R662	0RH0752C622	RESISTOR,METAL GLAZED(CHIP)	75 OHM 1 / 16 W 1608 5.00% D	
		R663	0RH0752C622	RESISTOR,METAL GLAZED(CHIP)	75 OHM 1 / 16 W 1608 5.00% D	
		R664	0RH0000C622	RESISTOR,METAL GLAZED(CHIP)	0 OHM 1 / 16 W 1608 5.00% D	
		R665	0RH0000C622	RESISTOR,METAL GLAZED(CHIP)	0 OHM 1 / 16 W 1608 5.00% D	
		R666	0RH0000C622	RESISTOR,METAL GLAZED(CHIP)	0 OHM 1 / 16 W 1608 5.00% D	
		R670	0RH0000C622	RESISTOR,METAL GLAZED(CHIP)	0 OHM 1 / 16 W 1608 5.00% D	

S	AL	LOCA. NO.	PART NO.	DESCRIPTION	SPECIFICATION	REMARKS
		R671	0RH0000C622	RESISTOR,METAL GLAZED(CHIP)	0 OHM 1 / 16 W 1608 5.00% D	
		R672	0RH0000C622	RESISTOR,METAL GLAZED(CHIP)	0 OHM 1 / 16 W 1608 5.00% D	
		R673	0RH0000C622	RESISTOR,METAL GLAZED(CHIP)	0 OHM 1 / 16 W 1608 5.00% D	
		R674	0RH0000C622	RESISTOR,METAL GLAZED(CHIP)	0 OHM 1 / 16 W 1608 5.00% D	
		R675	0RH0000C622	RESISTOR,METAL GLAZED(CHIP)	0 OHM 1 / 16 W 1608 5.00% D	
		R690	0RH1001C622	RESISTOR,METAL GLAZED(CHIP)	1K OHM 1 / 16 W 1608 5.00% D	
		R691	0RH0000C622	RESISTOR,METAL GLAZED(CHIP)	0 OHM 1 / 16 W 1608 5.00% D	
		R694	0RH0000C622	RESISTOR,METAL GLAZED(CHIP)	0 OHM 1 / 16 W 1608 5.00% D	
		R6A0	0RH0752C622	RESISTOR,METAL GLAZED(CHIP)	75 OHM 1 / 16 W 1608 5.00% D	
		R6A1	0RH0752C622	RESISTOR,METAL GLAZED(CHIP)	75 OHM 1 / 16 W 1608 5.00% D	
		R6A2	0RH0752C622	RESISTOR,METAL GLAZED(CHIP)	75 OHM 1 / 16 W 1608 5.00% D	
		R6A3	0RH0752C622	RESISTOR,METAL GLAZED(CHIP)	75 OHM 1 / 16 W 1608 5.00% D	
		R6A4	0RH0752C622	RESISTOR,METAL GLAZED(CHIP)	75 OHM 1 / 16 W 1608 5.00% D	
		R6A5	0RH0752C622	RESISTOR,METAL GLAZED(CHIP)	75 OHM 1 / 16 W 1608 5.00% D	
		R6C6	0RH0000C622	RESISTOR,METAL GLAZED(CHIP)	0 OHM 1 / 16 W 1608 5.00% D	
		R6C7	0RH0000C622	RESISTOR,METAL GLAZED(CHIP)	0 OHM 1 / 16 W 1608 5.00% D	
		R6C8	0RH0000C622	RESISTOR,METAL GLAZED(CHIP)	0 OHM 1 / 16 W 1608 5.00% D	
		R6C9	0RH0000C622	RESISTOR,METAL GLAZED(CHIP)	0 OHM 1 / 16 W 1608 5.00% D	
		R6D1	0RH0000C622	RESISTOR,METAL GLAZED(CHIP)	0 OHM 1 / 16 W 1608 5.00% D	
		R6T0	0RH1002C622	RESISTOR,METAL GLAZED(CHIP)	10K OHM 1 / 16 W 1608 5.00% D	
		R6T1	0RH6801C622	RESISTOR,METAL GLAZED(CHIP)	6.8K OHM 1 / 16 W 1608 5.00% D	
		R6T2	0RH4702C622	RESISTOR,METAL GLAZED(CHIP)	47K OHM 1 / 16 W 1608 5.00% D	
		R6U1	0RH4701C622	RESISTOR,METAL GLAZED(CHIP)	4.7K OHM 1 / 16 W 1608 5.00% D	
		R6U2	0RH5601C622	RESISTOR,METAL GLAZED(CHIP)	5.6K OHM 1 / 16 W 1608 5.00% D	
		R6W1	0RH1100C622	RESISTOR,METAL GLAZED(CHIP)	110 OHM 1 / 16 W 1608 5.00% D	
		R6W2	0RH0752C622	RESISTOR,METAL GLAZED(CHIP)	75 OHM 1 / 16 W 1608 5.00% D	
		R6W3	0RH0222C622	RESISTOR,METAL GLAZED(CHIP)	22 OHM 1 / 16 W 1608 5.00% D	
		R6W4	0RH1100C622	RESISTOR,METAL GLAZED(CHIP)	110 OHM 1 / 16 W 1608 5.00% D	
		R6W5	0RH0222C622	RESISTOR,METAL GLAZED(CHIP)	22 OHM 1 / 16 W 1608 5.00% D	
		ZD501	0DZPH00058A	DIODE,ZENERS	BZX84-C7V5 PHILIPS R/TP SOT23	
		C201	0CE1074F638	CAPACITOR,FIXED ELECTROLYTIC	100UF SRA,SS 16V 20% FM5 TP 5	
		C205	0CE4764F638	CAPACITOR,FIXED ELECTROLYTIC	47UF SRA,SS 16V 20% FM5 TP 5	
		C206	0CE4764F638	CAPACITOR,FIXED ELECTROLYTIC	47UF SRA,SS 16V 20% FM5 TP 5	
		C213	0CE4764F638	CAPACITOR,FIXED ELECTROLYTIC	47UF SRA,SS 16V 20% FM5 TP 5	
		C223	0CE2274C638	CAPACITOR,FIXED ELECTROLYTIC	220UF SRA,SS 6.3V 20% FM5 TP 5	
		C225	0CE2274C638	CAPACITOR,FIXED ELECTROLYTIC	220UF SRA,SS 6.3V 20% FM5 TP 5	
		C5B9	0CE4764F638	CAPACITOR,FIXED ELECTROLYTIC	47UF SRA,SS 16V 20% FM5 TP 5	
		C5C1	0CE4764F638	CAPACITOR,FIXED ELECTROLYTIC	47UF SRA,SS 16V 20% FM5 TP 5	
		C5C2	0CE2264F638	CAPACITOR,FIXED ELECTROLYTIC	22UF SRA,SS 16V 20% FM5 TP 5	
		C5C3	0CE1064F638	CAPACITOR,FIXED ELECTROLYTIC	10UF SRA,SS 16V 20% FM5 TP 5	
		C5C4	0CE1064F638	CAPACITOR,FIXED ELECTROLYTIC	10UF SRA,SS 16V 20% FM5 TP 5	
		C5C5	0CE4764F638	CAPACITOR,FIXED ELECTROLYTIC	47UF SRA,SS 16V 20% FM5 TP 5	
		C5C6	0CE1064F638	CAPACITOR,FIXED ELECTROLYTIC	10UF SRA,SS 16V 20% FM5 TP 5	
		C5C7	0CE1074F638	CAPACITOR,FIXED ELECTROLYTIC	100UF SRA,SS 16V 20% FM5 TP 5	
		C5C9	0CE2274C638	CAPACITOR,FIXED ELECTROLYTIC	220UF SRA,SS 6.3V 20% FM5 TP 5	
		C5D4	0CE2274C638	CAPACITOR,FIXED ELECTROLYTIC	220UF SRA,SS 6.3V 20% FM5 TP 5	
		C601	0CE4764F638	CAPACITOR,FIXED ELECTROLYTIC	47UF SRA,SS 16V 20% FM5 TP 5	
		C607	0CE2264F638	CAPACITOR,FIXED ELECTROLYTIC	22UF SRA,SS 16V 20% FM5 TP 5	
		C608	0CE2264F638	CAPACITOR,FIXED ELECTROLYTIC	22UF SRA,SS 16V 20% FM5 TP 5	
		C612	0CE2264F638	CAPACITOR,FIXED ELECTROLYTIC	22UF SRA,SS 16V 20% FM5 TP 5	
		C616	0CE2264F638	CAPACITOR,FIXED ELECTROLYTIC	22UF SRA,SS 16V 20% FM5 TP 5	
		C617	0CE2264F638	CAPACITOR,FIXED ELECTROLYTIC	22UF SRA,SS 16V 20% FM5 TP 5	
		C619	0CE1074F638	CAPACITOR,FIXED ELECTROLYTIC	100UF SRA,SS 16V 20% FM5 TP 5	
		C620	0CE2264F638	CAPACITOR,FIXED ELECTROLYTIC	22UF SRA,SS 16V 20% FM5 TP 5	
		C621	0CE2264F638	CAPACITOR,FIXED ELECTROLYTIC	22UF SRA,SS 16V 20% FM5 TP 5	
		C622	0CE2264F638	CAPACITOR,FIXED ELECTROLYTIC	22UF SRA,SS 16V 20% FM5 TP 5	
		C628	0CE1054K638	CAPACITOR,FIXED ELECTROLYTIC	1UF SRA,SS 50V 20% FM5 TP 5	

S	AL	LOCA. NO.	PART NO.	DESCRIPTION	SPECIFICATION	REMARKS
		C629	0CE1054K638	CAPACITOR, FIXED ELECTROLYTIC	1UF SRA, SS 50V 20% FM5 TP 5	
		C630	0CE1054K638	CAPACITOR, FIXED ELECTROLYTIC	1UF SRA, SS 50V 20% FM5 TP 5	
		C631	0CE1054K638	CAPACITOR, FIXED ELECTROLYTIC	1UF SRA, SS 50V 20% FM5 TP 5	
		C632	0CE1054K638	CAPACITOR, FIXED ELECTROLYTIC	1UF SRA, SS 50V 20% FM5 TP 5	
		C634	0CE2264F638	CAPACITOR, FIXED ELECTROLYTIC	22UF SRA, SS 16V 20% FM5 TP 5	
		C636	0CE4764F638	CAPACITOR, FIXED ELECTROLYTIC	47UF SRA, SS 16V 20% FM5 TP 5	
		C638	0CE2274C638	CAPACITOR, FIXED ELECTROLYTIC	220UF SRA, SS 6.3V 20% FM5 TP 5	
		C643	0CE1054K638	CAPACITOR, FIXED ELECTROLYTIC	1UF SRA, SS 50V 20% FM5 TP 5	
		C647	0CE1086C638	CAPACITOR, FIXED ELECTROLYTIC	1000000000PF SMS, SG 6.3V 20% F	
		C651	0CE1086C638	CAPACITOR, FIXED ELECTROLYTIC	1000000000PF SMS, SG 6.3V 20% F	
		C655	0CE1086C638	CAPACITOR, FIXED ELECTROLYTIC	1000000000PF SMS, SG 6.3V 20% F	
		C659	0CE4775C638	CAPACITOR, FIXED ELECTROLYTIC	470UF SR, SV 6.3V 20% FM5 TP 5	
		C663	0CE4775C638	CAPACITOR, FIXED ELECTROLYTIC	470UF SR, SV 6.3V 20% FM5 TP 5	
		C675	0CE1074F638	CAPACITOR, FIXED ELECTROLYTIC	100UF SRA, SS 16V 20% FM5 TP 5	
		C679	0CE2274C638	CAPACITOR, FIXED ELECTROLYTIC	220UF SRA, SS 6.3V 20% FM5 TP 5	
		C690	0CE2274C638	CAPACITOR, FIXED ELECTROLYTIC	220UF SRA, SS 6.3V 20% FM5 TP 5	
		C6W3	0CE1064F638	CAPACITOR, FIXED ELECTROLYTIC	10UF SRA, SS 16V 20% FM5 TP 5	
		CN603	561-7110	CONNECTOR (CIRC), WAFER	GIL-S-15P-S2T2-EF LG CABLE 15P	
		JK601	6612J00044G	JACK, RCA	ATT-10dB YUQIU RCA/DIN-200GK F	
		JK602	6612K00003B	JACK, FIBER OPTIC	PLT131/T5/12(12Mbps) EVERLIGHT	
		JK602	6612K00003A	JACK, FIBER OPTIC	PLT131/T5/6 EVERLIGHT PUSH TYP	ALTERNATE
		JK603	6612F00007A	JACK, PHONE	PJ-308-01 YUQIU	
		L201	0LR0102J025	INDUCTOR, RADIAL LEAD	10UH 5% TP 4 X 5 TR5 -	
		L203	0LR0102J025	INDUCTOR, RADIAL LEAD	10UH 5% TP 4 X 5 TR5 -	
		X501	6212AA2270G	RESONATOR, CRYSTAL	HC-49S SOUTH STAR 27MHZ +/- 20	
*** PWB(PCB) ASSEMBLY, TOTAL ***						
		A48	6871R-6281W	PWB(PCB) ASSEMBLY, TOTAL	DVN8021ECM SH IO ASSY	
		C6A1	0CE477CC618	CAPACITOR, FIXED ELECTROLYTIC	470UF SHL, SD 6.3V 20% TP 5 FL	
		C6A1	0CE4774C638	CAPACITOR, FIXED ELECTROLYTIC	470UF SRA, SS 6.3V 20% FM5 TP 5	ALTERNATE
		F6A1	6200HJC901A	FILTER(CIRC), EMC	CFI06B1H101MF SAMHWA TP 2-5K	
		F6A2	6200HJC901A	FILTER(CIRC), EMC	CFI06B1H101MF SAMHWA TP 2-5K	
		F6A3	6200HJC901A	FILTER(CIRC), EMC	CFI06B1H101MF SAMHWA TP 2-5K	
		Q6A1	0TR120309AE	TRANSISTOR, BIPOLARS	SRC1203 TP AUK TO92 22K, 22K	
		Q6A1	0TR103009AE	TRANSISTOR, BIPOLARS	KRC103M(KRC1203) KEC TP TO92M	ALTERNATE
		R6A1	0RD0752F608	RESISTOR, FIXED CARBON FILM	75 OHM 1/6 W 5.00% TA26	
		R6A2	0RD4700F608	RESISTOR, FIXED CARBON FILM	470 OHM 1/6 W 5% TA26	
		R6A3	0RD1003F608	RESISTOR, FIXED CARBON FILM	100K OHM 1/6 W 5% TA26	
		R6A4	0RD4700F608	RESISTOR, FIXED CARBON FILM	470 OHM 1/6 W 5% TA26	
		R6A5	0RD0752F608	RESISTOR, FIXED CARBON FILM	75 OHM 1/6 W 5.00% TA26	
		R6A6	0RD1003F608	RESISTOR, FIXED CARBON FILM	100K OHM 1/6 W 5% TA26	
		R6A7	0RD2200F608	RESISTOR, FIXED CARBON FILM	220 OHM 1/6 W 5% TA26	
		R6A8	0RD1003F608	RESISTOR, FIXED CARBON FILM	100K OHM 1/6 W 5% TA26	
		R6A9	0RD2200F608	RESISTOR, FIXED CARBON FILM	220 OHM 1/6 W 5% TA26	
		ZD6A1	0DZ562609AA	DIODE, ZENERS	GDZJ5.6B 26MM TP GRANDE DO34	
		ZD6A2	0DZ562609AA	DIODE, ZENERS	GDZJ5.6B 26MM TP GRANDE DO34	
		ZD6A3	0DZ132609CA	DIODE, ZENERS	GDZJ13B 26MM TP GRANDE DO34 0	
		ZD6A4	0DZ132609CA	DIODE, ZENERS	GDZJ13B 26MM TP GRANDE DO34 0	
		ZD6A5	0DZ562609AA	DIODE, ZENERS	GDZJ5.6B 26MM TP GRANDE DO34	
		ZD6A6	0DZ562609AA	DIODE, ZENERS	GDZJ5.6B 26MM TP GRANDE DO34	
		CN6A1	6630R-FB05R	CONNECTOR (CIRC), FFC/FPC	00-6232-018-104-800 ELCO 18PIN	
		JK6A1	6612M00003C	JACK, SCART	ATT-10dB YUQIU RGB-16PBK FOR	

NOTES) If you want to purchase
Flash memory, you must order
" IC502A "

NOTES) ⚠ Warning
Parts that are shaded are critical With
respect to risk of fire or electrical
shock.

SECTION 5 REPLACEMENT PARTS LIST

MODEL : T524C(NAD)

RUN DATE : 23-JUNE-05

S	AL	LOCA. NO.	PART NO.	DESCRIPTION	SPECIFICATION	REMARKS
*** INDIVIDUAL PARTS ***						
		250	3110R-D027A	CASE	DVN8000 PRESS TOP (D423G)	
		283	3580R-T166B	DOOR	DVD DFN8024NH (D423G) MOLD TRA	
	⚠	300	6410RCHX03A	POWER CORD	CE-503/JL201B H03VVH2-F 2X0.75	
		463	1SZZR-0098G	SCREW,DRAWING	+ 2 D3.0 L8.0 MSWR3/FZMCW-1 3C	
		465	1SZZR-0097K	SCREW,DRAWING	+ 2 D3.0 L10.0 MSWR3/FZB 3 CR	
		801	3835RD0046D	INSTRUCTION ASSEMBLY	DVD DVN8043ECM-HA6ENN/2-ENG/FR	
		802	3890R-C307Z	BOX	DVN8043ECM HA6ENN SW3-A	
		803	3920R-E139A	PACKING	DVD DVN8011 110 NAD	
		804	3880R-E002A	BAG,VINYL	430 500 0.5 DVD9000	NSP
		808	6910A90004A	BATTERY,ALKALINE	R03P SHANGHAI SHENKANG 1.5V 4A	
		808	841-0021	BATTERY,MN	ER03X HI WATT 1.5V .MA/H AAA	ALTERNATE
		900	6711R2N124B	REMOTE CONTROLLER ASSEMBLY	NAD DVN8021NCM HA1UNN NAD	
*** CHASSIS ASSEMBLY ***						
		A44	3141R-D045F	CHASSIS ASSEMBLY	DVN8043ECM(T524C) MAIN (WEEE M	
		260	3140R-D002B	CHASSIS	DV7000 PRESS WITH FOOT	
		261	5040R-5040C	RUBBER	DVD DVN8000 OTHER FOOT D17.5X	
		320	3720R-D123F	PANEL,VIDEO	DVD DVN8043ECM(T524C) PRESS BA	
		467	1SZZR-0097N	SCREW,DRAWING	+ 2 D3.0 L8.0 MSWR3/FZB 3CR BK	
*** BOARD ASSEMBLY ***						
		A43	3501RF6993D	BOARD ASSEMBLY	DVD DVN8043ECM HA6ENN FRONT	
		280	3721R-F883D	PANEL ASSEMBLY,FRONT	DVD DVN8043ECM HA6ENN NAD	
		452	1SZZR-0098A	SCREW,DRAWING	+ 2 D3.0 L10.0 MSWR3/FZMCY-1 3	
		A49	6871R-9971A	PWB(PCB) ASSEMBLY,TOTAL	DVN8000S TMER SH	
		C902	0CE1064F638	CAPACITOR,FIXED ELECTROLYTIC	10UF SRA,SS 16V 20% FM5 TP 5	
		C908	0CE4764F638	CAPACITOR,FIXED ELECTROLYTIC	47UF SRA,SS 16V 20% FM5 TP 5	
		C909	0CE4764J638	CAPACITOR,FIXED ELECTROLYTIC	47UF SRA,SS 35V 20% FM5 TP 5	
		C912	0CE4764F638	CAPACITOR,FIXED ELECTROLYTIC	47UF SRA,SS 16V 20% FM5 TP 5	
		CN901	6630R-FB05R	CONNECTOR (CIRC),FFC/FPC	00-6232-018-104-800 ELCO 18PIN	
		CON902	6631R-E078J	CONNECTOR ASSEMBLY	GIL-S04/9073 04AN 4P 120M/M UL	
		DIG901	6302RCV226A	DIGITRON	VFD14-0601N ZEC SEG VFD DVD800	
		IC902	0IKE704200B	IC,KEC	KIA7042P 3P 4.2V RESET(TAPING)	
		RC901	6712R1038GA	REMOTE CONTROLLER RECEIVER	TSOP2438SB1 VISHAY 38KHZ 10.2M	
		X901	6212BA3004A	RESONATOR,CERAMIC	CSTLS6M00G53-A0 MURATA 6MHZ +/-	
		ZD901	0DZ562609AA	DIODE,ZENERS	GDZJ5.6B 26MM TP GRANDE DO34	
		C905	0CH1104K942	CAPACITOR,FIXED CERAMIC(TEMP.C	0.1UF 50V 80%,-20% Y5V(F) 1608	
		C906	0CH1104K942	CAPACITOR,FIXED CERAMIC(TEMP.C	0.1UF 50V 80%,-20% Y5V(F) 1608	
		C907	0CH1104K942	CAPACITOR,FIXED CERAMIC(TEMP.C	0.1UF 50V 80%,-20% Y5V(F) 1608	
		C910	0CH1104K942	CAPACITOR,FIXED CERAMIC(TEMP.C	0.1UF 50V 80%,-20% Y5V(F) 1608	
		C911	0CH1104K942	CAPACITOR,FIXED CERAMIC(TEMP.C	0.1UF 50V 80%,-20% Y5V(F) 1608	
		C913	0CH1104K942	CAPACITOR,FIXED CERAMIC(TEMP.C	0.1UF 50V 80%,-20% Y5V(F) 1608	
		C9A1	0CH1104K942	CAPACITOR,FIXED CERAMIC(TEMP.C	0.1UF 50V 80%,-20% Y5V(F) 1608	
		IC901	0IMCRHY084B	IC,MICRO CONTROLLER	HMS81C2012A-HK012 2ND HYNIX 64	
		L901	6200HJC102A	FILTER(CIRC),EMC	HB-1M2012-102JT CERATECH TP	
		Q901	0TRAU80002A	TRANSISTOR,BIPOLARS	AUK KOREA SRC1203S R/TP SOT23	
		Q902	0TRAU80002A	TRANSISTOR,BIPOLARS	AUK KOREA SRC1203S R/TP SOT23	
		R908	0RH1002C622	RESISTOR,METAL GLAZED(CHIP)	10K OHM 1 / 16 W 1608 5.00% D	
		R909	0RH1002C622	RESISTOR,METAL GLAZED(CHIP)	10K OHM 1 / 16 W 1608 5.00% D	

S	AL	LOCA. NO.	PART NO.	DESCRIPTION	SPECIFICATION	REMARKS
		R910	0RH3301C622	RESISTOR,METAL GLAZED(CHIP)	3.3K OHM 1 / 16 W 1608 5.00% D	
		R911	0RH3300C622	RESISTOR,METAL GLAZED(CHIP)	330 OHM 1 / 16 W 1608 5.00% D	
		R912	0RH2200C622	RESISTOR,METAL GLAZED(CHIP)	220 OHM 1 / 16 W 1608 5.00% D	
		R913	0RH2200C622	RESISTOR,METAL GLAZED(CHIP)	220 OHM 1 / 16 W 1608 5.00% D	
		R939	0RH1003C622	RESISTOR,METAL GLAZED(CHIP)	100K OHM 1 / 16 W 1608 5.00% D	
		R951	0RH1000C622	RESISTOR,METAL GLAZED(CHIP)	100 OHM 1 / 16 W 1608 5.00% D	
		R952	0RH1000C622	RESISTOR,METAL GLAZED(CHIP)	100 OHM 1 / 16 W 1608 5.00% D	
		R954	0RH1000D622	RESISTOR,METAL GLAZED(CHIP)	100 OHM 1 / 10 W 2012 5.00% D	
		A42	6871R-9771A	PWB(PCB) ASSEMBLY,TOTAL	DVN8000S KEY SH	
		CON903	561-712D	CONNECTOR (CIRC),WAFER	GIL-S-04P-S2L2-EF LG CABLE 4PI	
		LED901	0DLAU0029AA	LED	AUK SYM3272 (YELLOW-GREEN,GREE	
		R900	0RD6800F608	RESISTOR,FIXED CARBON FILM	680 OHM 1/6 W 5% TA26	
		R901	0RD8200F608	RESISTOR,FIXED CARBON FILM	820 OHM 1/6 W 5% TA26	
		R902	0RD1201F608	RESISTOR,FIXED CARBON FILM	1.2K OHM 1/6 W 5% TA26	
		R903	0RD1501F608	RESISTOR,FIXED CARBON FILM	1.5K OHM 1/6 W 5% TA26	
		R904	0RD2201F608	RESISTOR,FIXED CARBON FILM	2.2K OHM 1/6 W 5% TA26	
		R905	0RD3301F608	RESISTOR,FIXED CARBON FILM	3.3K OHM 1/6 W 5% TA26	
		R906	0RD4701F608	RESISTOR,FIXED CARBON FILM	4.7K OHM 1/6 W 5% TA26	
		R907	0RD8201F608	RESISTOR,FIXED CARBON FILM	8.2K OHM 1/6 W 5% TA26	
		SW901	6600R000036	SWITCH,TACT	EVQ 225 05R MATSUSHITA 15VDC 2	
		SW901	556-219B	SWITCH,TACT	THV10910G TACT DC 12 V 5-0 A V	ALTERNATE
		SW902	6600R000036	SWITCH,TACT	EVQ 225 05R MATSUSHITA 15VDC 2	
		SW902	556-219B	SWITCH,TACT	THV10910G TACT DC 12 V 5-0 A V	ALTERNATE
		SW903	6600R000036	SWITCH,TACT	EVQ 225 05R MATSUSHITA 15VDC 2	
		SW903	556-219B	SWITCH,TACT	THV10910G TACT DC 12 V 5-0 A V	ALTERNATE
		SW904	6600R000036	SWITCH,TACT	EVQ 225 05R MATSUSHITA 15VDC 2	
		SW904	556-219B	SWITCH,TACT	THV10910G TACT DC 12 V 5-0 A V	ALTERNATE
		SW905	6600R000036	SWITCH,TACT	EVQ 225 05R MATSUSHITA 15VDC 2	
		SW905	556-219B	SWITCH,TACT	THV10910G TACT DC 12 V 5-0 A V	ALTERNATE
		SW906	556-219B	SWITCH,TACT	THV10910G TACT DC 12 V 5-0 A V	
		SW906	6600R000036	SWITCH,TACT	EVQ 225 05R MATSUSHITA 15VDC 2	ALTERNATE
		SW907	556-219B	SWITCH,TACT	THV10910G TACT DC 12 V 5-0 A V	
		SW907	6600R000036	SWITCH,TACT	EVQ 225 05R MATSUSHITA 15VDC 2	ALTERNATE
		SW908	556-219B	SWITCH,TACT	THV10910G TACT DC 12 V 5-0 A V	
		SW908	6600R000036	SWITCH,TACT	EVQ 225 05R MATSUSHITA 15VDC 2	ALTERNATE
		SW909	556-219B	SWITCH,TACT	THV10910G TACT DC 12 V 5-0 A V	
		SW909	6600R000036	SWITCH,TACT	EVQ 225 05R MATSUSHITA 15VDC 2	ALTERNATE
*** DECK ASSEMBLY,DVD ***						
		A00	6721RHD032B	DECK ASSEMBLY,DVD	DVD DP-8(SH) MTK 1389 NAD	NSP
		A01	4861R-0016B	CLAMP ASSEMBLY	DISC DP7 - SH	
		001	3300R-0547A	PLATE	CLAMP	NSP
		002	5016H-1016B	MAGNET	CLAMP(LDM-R608,10*5,1*1.5T)	NSP
		003	4860R-0021A	CLAMP	UPPER DP7	NSP
		A02	3041R-D007B	BASE ASSEMBLY	MAIN DP-8 39MM SH	
		013	4400R-0006B	BELT	DECK/MECHA DP2-5, DP7C,DP7A OT	
		014	4470R-0154A	GEAR	DECK/MECHA DP8 PULLEY MOLD	
		015	4681R-A009A	MOTOR ASSEMBLY	DVD LOADING DP-8 - SH	
		016	6871R-9288A	PWB(PCB) ASSEMBLY,TOTAL	DP-8 LOADING -SH	
		017	4470R-0153A	GEAR	DECK/MECHA DP8 LOADING MOLD	
		018	4974R-0055A	GUIDE	DECK/MECHA DP8 UP/DOWN MOLD	
		019	3210R-M006B	FRAME	UP/DOWN DP-8 MOLD	
		020	3040R-M061B	BASE	MAIN DP-8 MOLD	
		015A	4680R-E007A	MOTOR(MECH)	FEEDING BCZ3B01 SANKYO FOR DVD	NSP
		015A	4680R-E008A	MOTOR(MECH)	FEEDING RF-300EA-1D390 MABUCHI	NSP
		015B	4560R-0008A	PULLEY	MOTOR	
		435	1SZZR-0011A	SCREW,DRAWING	MACHINE	
		439	1SZZR-0075A	SCREW,DRAWING	+ 1 D1.7 L10.0 SWRCH18A/FZW DP	

S	AL	LOCA. NO.	PART NO.	DESCRIPTION	SPECIFICATION	REMARKS
		440	1SZZH-1007B	SCREW,DRAWING	+ D2.0 6MM SWRCH16A/ZNBK 4MM 1	
		A03	3041R-D008M	BASE ASSEMBLY	SLED DP8 - SH	
		010	6850R-JW24Y	CABLE,FLAT	P=1.0 FFC UL2896(0.035X0.7) 23	
		021	4680R-E007A	MOTOR(MECH)	FEEDING BCZ3B01 SANKYO FOR DVD	
		021	4680R-E008A	MOTOR(MECH)	FEEDING RF-300EA-1D390 MABUCHI	ALTERNATE
		024	4470R-0151A	GEAR	DECK/MECHA PINION MOLD DP8	
		024A	4470R-0149A	GEAR	DECK/MECHA FEED MOTOR MOLD DP8	
		025	4470R-0150A	GEAR	DECK/MECHA MIDDLE MOLD DP8	
		030	4470R-0152A	GEAR	DECK/MECHA RACK MOLD DP8	
		035	6871R-9283A	PWB(PCB) ASSEMBLY,TOTAL	FEEDING DP8 - SH	
		036	4370H-1024C	SHAFT	P/U (R,GM-RT1332A)	
		431	1SZZR-0062A	SCREW,DRAWING	+ 1 D1.7 L4.5 SWCH18A/NI DP8 P	
		432	1SZZR-0072A	SCREW,DRAWING	+ 1 D1.7 L4.5 SWRCH18A/FZY DP8	
		435	1SZZR-0011A	SCREW,DRAWING	MACHINE	
		035A	6850R-GF10Z	CABLE,FLAT	P=1.0 FFC UL2896(0.05X0.65) 6	
		012	5040R-0083B	RUBBER	DVD DP-8 FRONT LEFT 10 OTHER B	
		012A	5040R-0083A	RUBBER	DVD DP-6, DP-8 FRONT RIGHT 20	
		012B	5040R-0110B	RUBBER	DVD DP-8 REAR LEFT 30 OTHER BL	
		012C	5040R-0110A	RUBBER	DVD REAR DP8 RIGHT 20 OTHER BL	
		026	3390R-0023A	TRAY	DECK/MECHA DP8 DISC MOLD	
		430	1SZZR-0064B	SCREW,DRAWING	+ 1 D1.7 L7.0 SWCH18A/BZN DP8	
*** CABLE ASSEMBLY ***						
		810	6851R-0074D	CABLE ASSEMBLY	1WAY YELLOW 1.2M + 2WAY RW 1.	
		811	6850R-PAA2F	CABLE,COAXIAL	1 WAY COAXIAL DT_HY_HIT_SEIL	
		812	6850R-PBA2H	CABLE,COAXIAL	2 WAY COAXIAL RED_WHITE DT_HY_	
*** PWB(PCB) ASSEMBLY,TOTAL ***						
		A47	6871R-7195N	PWB(PCB) ASSEMBLY,TOTAL	DVN8000S MTK1389 NAD SMPS WIDE	
		BC101	636-004C	FILTER(CIRC),EMC	BEAD CORE BFS3550R2FD8,R T/P	
		BD101	0DD160000DA	DIODE,RECTIFIERS	S1WBA60 BK SHINDENGEN - 600V -	
		BD101	0DRRE00060A	DIODE,RECTIFIERS	DB105-C-S-V50 RECTRON BK NON 6	ALTERNATE
		C101	624-088S	CAPACITOR,DRAWING	MPX104K ETR/EUROPTRONIC BULK	
		C102	624-088S	CAPACITOR,DRAWING	MPX104K ETR/EUROPTRONIC BULK	
		C103	0CE686JU6A0	CAPACITOR,FIXED ELECTROLYTIC	68UF SMH,HC 400V 20% VNSN BULK	
		C104	624-085D	CAPACITOR,FIXED ELECTROLYTIC	CE 47UF/50V KME (SMPS)	
		C107	0CG1020U630	CAPACITOR,FIXED CERAMIC(TEMP.C	1000PF D 400V 20% E(Z5U) R	
		C109	0CE108BF630	CAPACITOR,FIXED ELECTROLYTIC	1000UF KME TYPE 16V 20% FM5 BU	
		C110	0CN223AK948	CAPACITOR,TUBULAR(HIGH DIELEC)	0.022UF 50V Z F TA26 S	
		C112	0CE3376D638	CAPACITOR,FIXED ELECTROLYTIC	330UF SMS,SG 10V 20% FM5 TP 5	
		C113	0CC6810U565	CAPACITOR,FIXED CERAMIC(TEMP.C	680PF D 400V 10% N470 TR	
		C115	0CE3366K638	CAPACITOR,FIXED ELECTROLYTIC	33UF SMS,SG 50V 20% FM5 TP 5	
		C116	0CE477BH630	CAPACITOR,FIXED ELECTROLYTIC	470UF KME TYPE 25V 20% FM5 BUL	
		C117	0CE1074F638	CAPACITOR,FIXED ELECTROLYTIC	100UF SRA,SS 16V 20% FM5 TP 5	
		C118	0CE2276F638	CAPACITOR,FIXED ELECTROLYTIC	220UF SMS,SG 16V 20% FM5 TP 5	
		C119	624-087G	CAPACITOR,FIXED CERAMIC(HIGH D	HIGH-VOL 68PF/1KV SMPS SAMHWA	
		C120	0CE2276F638	CAPACITOR,FIXED ELECTROLYTIC	220UF SMS,SG 16V 20% FM5 TP 5	
		C121	0CE2276F638	CAPACITOR,FIXED ELECTROLYTIC	220UF SMS,SG 16V 20% FM5 TP 5	
		C122	624-085D	CAPACITOR,FIXED ELECTROLYTIC	CE 47UF/50V KME (SMPS)	
		C123	0CE108BF630	CAPACITOR,FIXED ELECTROLYTIC	1000UF KME TYPE 16V 20% FM5 BU	
		C124	0DZ182609AA	DIODE,ZENERS	GDZJ18B 26MM TP GRANDE DO34 0	
		C124	0DZ182609AB	DIODE,ZENERS	UZ-18BSB 26MM TP PYUNG CHANG	ALTERNATE
		C126	0CQ1031Y519	CAPACITOR,FIXED FILM	0.01UF D 630V 10% PE NI TP5	
		C128	0CQ1042K409	CAPACITOR,FIXED FILM	0.1UF S 50V 5% PE TP5	
		C129	0CE1074F638	CAPACITOR,FIXED ELECTROLYTIC	100UF SRA,SS 16V 20% FM5 TP 5	
		C131	0CE1074F638	CAPACITOR,FIXED ELECTROLYTIC	100UF SRA,SS 16V 20% FM5 TP 5	
		C137	0CE3376D638	CAPACITOR,FIXED ELECTROLYTIC	330UF SMS,SG 10V 20% FM5 TP 5	
		D100	0DR400709AA	DIODE,RECTIFIERS	10SP07U(SUF4007SP) TP GULF SEM	
		D100	0DD221009AA	DIODE,RECTIFIERS	ERA22-10 KFLB,TP ,R T/P,FUJI	ALTERNATE

S	AL	LOCA. NO.	PART NO.	DESCRIPTION	SPECIFICATION	REMARKS
		D100	0DRRE00163A	DIODE,RECTIFIERS	1F7(U FORMING) RECTRON BK NON	ALTERNATE
		D103	0DR202000AB	DIODE,RECTIFIERS	HER202 BK RECTRON - 100V 2A 60	
		D103	0DR310000AA	DIODE,RECTIFIERS	RU3YXLF-C1 BK SANKEN - 100V 2A	ALTERNATE
		D103	0DRGF00200A	DIODE,RECTIFIERS	SUF2003(=HER202) GULF BK DO15	ALTERNATE
		D104	0DD010009AC	DIODE,RECTIFIERS	EU01W(R-FORM) TP SANKEN	
		D104	0DRGF00239A	DIODE,RECTIFIERS	FR104E GULF TP NON 400V 1A 30A	ALTERNATE
		D104	0DR104009BA	DIODE,RECTIFIERS	RL104F TP RECTRON - 400V 1A 30	ALTERNATE
		D106	0DRRE00029A	DIODE,RECTIFIERS	1N17 RECTRON TP NON 20V 1A 20	
		D107	0DD010009AC	DIODE,RECTIFIERS	EU01W(R-FORM) TP SANKEN	
		D107	0DRGF00239A	DIODE,RECTIFIERS	FR104E GULF TP NON 400V 1A 30A	ALTERNATE
		D107	0DR104009BA	DIODE,RECTIFIERS	RL104F TP RECTRON - 400V 1A 30	ALTERNATE
		D108	0DD010009AC	DIODE,RECTIFIERS	EU01W(R-FORM) TP SANKEN	
		D108	0DRGF00239A	DIODE,RECTIFIERS	FR104E GULF TP NON 400V 1A 30A	ALTERNATE
		D108	0DR104009BA	DIODE,RECTIFIERS	RL104F TP RECTRON - 400V 1A 30	ALTERNATE
		D109	0DR202000AB	DIODE,RECTIFIERS	HER202 BK RECTRON - 100V 2A 60	
		D109	0DR310000AA	DIODE,RECTIFIERS	RU3YXLF-C1 BK SANKEN - 100V 2A	ALTERNATE
		D109	0DRGF00200A	DIODE,RECTIFIERS	SUF2003(=HER202) GULF BK DO15	ALTERNATE
		D110	0DD010009AC	DIODE,RECTIFIERS	EU01W(R-FORM) TP SANKEN	
		D110	0DRGF00239A	DIODE,RECTIFIERS	FR104E GULF TP NON 400V 1A 30A	ALTERNATE
		D110	0DR104009BA	DIODE,RECTIFIERS	RL104F TP RECTRON - 400V 1A 30	ALTERNATE
		D113	0DR810040BA	DIODE,RECTIFIERS	ERC81-004L22 BK FUJI DO201AD 4	
		D113	0DR158220AA	DIODE,RECTIFIERS	1N5822 BK RECTRON DO201AD 40V	ALTERNATE
		D113	0DRGF00210A	DIODE,RECTIFIERS	1N5822 GULF BK DO201AD 40V 3A	ALTERNATE
		F101	0FS1601B51D	FUSE,SLOW BLOW	1600MA 250 V 5.2X20 CY/GL KS/J	
		FH101	586-008B	HOLDER	FUSE CLIP TP SINSUNG	
		FH102	586-008B	HOLDER	FUSE CLIP TP SINSUNG	
		IC101	0IPMGFA054A	IC,POWER MANAGEMENT	FSDM0265RN FAIRCHILD 8PIN,DIP	
		IC102	657-062B	SENSOR	PC123Y PHOTO-COUPLER(SARPH)	
		IC102	657-063A	SENSOR	LTV-817B,PHOTO COUPLER(LITEON)	ALTERNATE
		IC104	0IPMGUK001A	IC,POWER MANAGEMENT	SL431-AT AUK 3PIN TO-92 TP PRO	
		IC104	0IKE431000A	IC,KEC	KIA431 3 PIN TP - -	ALTERNATE
		IC104	0ISS431000A	IC,SAMSUNG ELECTRONICS	KA431AZ (LM431AZ) - - - -	ALTERNATE
		IC105	0IPMGMA001A	IC,POWER MANAGEMENT	AN80T54 MATSUSHITA 12PIN,FP-12	
		L101	6200JB80130	FILTER(CIRC),EMC	SQ2116 SAMWAH TECOM BK SQ1116	
		L102	633-088D	COIL,CHOKE	20UH KWANGSUNG LEAD CUT	
		L103	633-088G	COIL,CHOKE	22MH TOKO 5MM TP	
		P101	6631R-E034G	CONNECTOR ASSEMBLY	GIL-S/9073ST 15 PIN 260MM UL1	
		PW101	561-292B	CONNECTOR(CIRC),DRAWING	GP390 LGC 3P 3.96 STRAIGHT SN	
		Q101	0TR319809AC	TRANSISTOR,BIPOLARS	KTC3198 TP KEC - - -BL (KTC181	
		Q101	0TR534309BA	TRANSISTOR,BIPOLARS	2SC5343-L TP AUK TO92 -	ALTERNATE
		Q102	0TR105009AD	TRANSISTOR,BIPOLARS	KRA105M KEC TP TO92 50V 100MA	
		Q102	0TRAU90025A	TRANSISTOR,BIPOLARS	SRA2205MAT AUK KOREA TP TO92 -	ALTERNATE
		Q107	0TR115100AC	TRANSISTOR,BIPOLARS	KTB1151-Y BK KEC TO126 -	
		Q107	0TR115100AA	TRANSISTOR,BIPOLARS	KSB1151-Y BK SAMSUNG - TO-126	ALTERNATE
		Q108	0TR319809AC	TRANSISTOR,BIPOLARS	KTC3198 TP KEC - - -BL (KTC181	
		Q108	0TR534309BA	TRANSISTOR,BIPOLARS	2SC5343-L TP AUK TO92 -	ALTERNATE
		R100	0RD1504H632	RESISTOR,FIXED CARBON FILM	1.5M OHM 1/2 W 5.00% MF10	
		R101	614-007A	RESISTOR,FIXED CEMENT	2.7/2W CEMENT SMPS V	
		R102	0RF0200F708	RESISTOR,VARIABLE[CARBON FILM]	0.2 OHM 1/6 W 10% TA26	
		R103	0RS5602K619	RESISTOR,FIXED METAL OXIDE FIL	56K OHM 2 W 5.00% TR	
		R112	0RD0822F608	RESISTOR,FIXED CARBON FILM	82 OHM 1/6 W 5% TA26	
		R114	0RD1003F608	RESISTOR,FIXED CARBON FILM	100K OHM 1/6 W 5% TA26	
		R115	0RD0332F608	RESISTOR,FIXED CARBON FILM	33 OHM 1/6 W 5% TA26	
		R116	0RD0332F608	RESISTOR,FIXED CARBON FILM	33 OHM 1/6 W 5% TA26	
		R117	0RD2200F608	RESISTOR,FIXED CARBON FILM	220 OHM 1/6 W 5% TA26	
		R118	0RD2200F608	RESISTOR,FIXED CARBON FILM	220 OHM 1/6 W 5% TA26	
		R120	0RD4702F608	RESISTOR,FIXED CARBON FILM	47K OHM 1/6 W 5% TA26	

S	AL	LOCA. NO.	PART NO.	DESCRIPTION	SPECIFICATION	REMARKS
		R121	0RD1201F608	RESISTOR, FIXED CARBON FILM	1.2K OHM 1/6 W 5% TA26	
		R122	0RD2200F608	RESISTOR, FIXED CARBON FILM	220 OHM 1/6 W 5% TA26	
		R124	0RD1800F608	RESISTOR, FIXED CARBON FILM	180 OHM 1/6 W 5% TA26	
		R125	0RD2201F608	RESISTOR, FIXED CARBON FILM	2.2K OHM 1/6 W 5% TA26	
		R126	0RD1001F608	RESISTOR, FIXED CARBON FILM	1K OHM 1/6 W 5% TA26	
		R127	0RN3601E408	RESISTOR, FIXED METAL FILM	3.6K OHM 1/8 W 1.00% TA26	
		R128	0RN3301E408	RESISTOR, FIXED METAL FILM	3.3K OHM 1/8 W 1.00% TA26	
		R130	0RD1002F608	RESISTOR, FIXED CARBON FILM	10K OHM 1/6 W 5% TA26	
		R131	0RD2201F608	RESISTOR, FIXED CARBON FILM	2.2K OHM 1/6 W 5% TA26	
		R132	0RD1002F608	RESISTOR, FIXED CARBON FILM	10K OHM 1/6 W 5% TA26	
		R140	0RD1001F608	RESISTOR, FIXED CARBON FILM	1K OHM 1/6 W 5% TA26	
		R141	0RD1001F608	RESISTOR, FIXED CARBON FILM	1K OHM 1/6 W 5% TA26	
		R145	0RS0562K619	RESISTOR, FIXED METAL OXIDE FIL	56 OHM 2 W 5% TR	
▲		T101	6170RNGW05F	TRANSFORMER, SMPS[COIL]	EER2828 HORIZONTAL SAMWHA SOOJ	
▲		V101	656-004C	VARISTOR, DRAWING	SVC681D-10A SAMHWA 4.O CUT	
		ZD101	0DZ332609FB	DIODE, ZENERS	GDZJ3.3B 26MM GRANDE TP26 DO34	
		ZD102	0DZ222609AA	DIODE, ZENERS	GDZJ22B 26MM GRANDE TP DO34 0	
*** SUB PWB(PCB) ASSEMBLY ***						
		A46	6885R-3333D	SUB PWB(PCB) ASSEMBLY	DVN8043ECM.HA6ENN 55(U) 53(S)	
		IC502A	6957R-9972H	PROGRAM	NV8C7020B. MIH	
		C202	0CH1104K942	CAPACITOR, FIXED CERAMIC(TEMP.C	0.1UF 50V 80%,-20% Y5V(F) 1608	
		C203	0CH1104K942	CAPACITOR, FIXED CERAMIC(TEMP.C	0.1UF 50V 80%,-20% Y5V(F) 1608	
		C204	0CH1104K942	CAPACITOR, FIXED CERAMIC(TEMP.C	0.1UF 50V 80%,-20% Y5V(F) 1608	
		C208	0CH1222K562	CAPACITOR, FIXED CERAMIC(TEMP.C	2200PF 50V 10% X7R(X) 1608 R/T	
		C210	0CH1104K942	CAPACITOR, FIXED CERAMIC(TEMP.C	0.1UF 50V 80%,-20% Y5V(F) 1608	
		C211	0CH1821K562	CAPACITOR, FIXED CERAMIC(TEMP.C	820PF 1608 50V 10% X7R R/TP	
		C212	0CH1104K942	CAPACITOR, FIXED CERAMIC(TEMP.C	0.1UF 50V 80%,-20% Y5V(F) 1608	
		C215	0CH1222K562	CAPACITOR, FIXED CERAMIC(TEMP.C	2200PF 50V 10% X7R(X) 1608 R/T	
		C216	0CH1102K562	CAPACITOR, FIXED CERAMIC(TEMP.C	1000PF 50V 10% X7R(X) 1608 R/T	
		C221	0CH1104K942	CAPACITOR, FIXED CERAMIC(TEMP.C	0.1UF 50V 80%,-20% Y5V(F) 1608	
		C222	0CH1104K942	CAPACITOR, FIXED CERAMIC(TEMP.C	0.1UF 50V 80%,-20% Y5V(F) 1608	
		C501	0CH1105D942	CAPACITOR, FIXED CERAMIC(TEMP.C	1UF 10V 80%,-20% Y5V(F) 1608 R	
		C502	0CH1105D942	CAPACITOR, FIXED CERAMIC(TEMP.C	1UF 10V 80%,-20% Y5V(F) 1608 R	
		C503	0CH1105D942	CAPACITOR, FIXED CERAMIC(TEMP.C	1UF 10V 80%,-20% Y5V(F) 1608 R	
		C504	0CH1105D942	CAPACITOR, FIXED CERAMIC(TEMP.C	1UF 10V 80%,-20% Y5V(F) 1608 R	
		C505	0CH1105D942	CAPACITOR, FIXED CERAMIC(TEMP.C	1UF 10V 80%,-20% Y5V(F) 1608 R	
		C507	0CH1104K942	CAPACITOR, FIXED CERAMIC(TEMP.C	0.1UF 50V 80%,-20% Y5V(F) 1608	
		C508	0CH1104K942	CAPACITOR, FIXED CERAMIC(TEMP.C	0.1UF 50V 80%,-20% Y5V(F) 1608	
		C509	0CH1104K942	CAPACITOR, FIXED CERAMIC(TEMP.C	0.1UF 50V 80%,-20% Y5V(F) 1608	
		C510	0CH1104K942	CAPACITOR, FIXED CERAMIC(TEMP.C	0.1UF 50V 80%,-20% Y5V(F) 1608	
		C512	0CH4331K412	CAPACITOR, FIXED CERAMIC(HIGH D	330PF 50V 5% NP0 1608 R/TP	
		C513	0CH1473K942	CAPACITOR, FIXED CERAMIC(TEMP.C	0.047UF 50V 80%,-20% Y5V(F) 16	
		C514	0CH1153K562	CAPACITOR, FIXED CERAMIC(TEMP.C	0.015UF 50V 10% X7R(X) 1608 R/	
		C515	0CH1104K942	CAPACITOR, FIXED CERAMIC(TEMP.C	0.1UF 50V 80%,-20% Y5V(F) 1608	
		C517	0CH4331K412	CAPACITOR, FIXED CERAMIC(HIGH D	330PF 50V 5% NP0 1608 R/TP	
		C518	0CH1152K562	CAPACITOR, FIXED CERAMIC(TEMP.C	1500PF 50V 10% X7R(X) 1608 R/T	
		C520	0CH1104K942	CAPACITOR, FIXED CERAMIC(TEMP.C	0.1UF 50V 80%,-20% Y5V(F) 1608	
		C521	0CH1104K942	CAPACITOR, FIXED CERAMIC(TEMP.C	0.1UF 50V 80%,-20% Y5V(F) 1608	
		C522	0CH1104K942	CAPACITOR, FIXED CERAMIC(TEMP.C	0.1UF 50V 80%,-20% Y5V(F) 1608	
		C523	0CH1104K942	CAPACITOR, FIXED CERAMIC(TEMP.C	0.1UF 50V 80%,-20% Y5V(F) 1608	
		C524	0CH1104K942	CAPACITOR, FIXED CERAMIC(TEMP.C	0.1UF 50V 80%,-20% Y5V(F) 1608	
		C525	0CH1104K942	CAPACITOR, FIXED CERAMIC(TEMP.C	0.1UF 50V 80%,-20% Y5V(F) 1608	
		C526	0CH1104K942	CAPACITOR, FIXED CERAMIC(TEMP.C	0.1UF 50V 80%,-20% Y5V(F) 1608	
		C527	0CH1104K942	CAPACITOR, FIXED CERAMIC(TEMP.C	0.1UF 50V 80%,-20% Y5V(F) 1608	
		C528	0CH1104K942	CAPACITOR, FIXED CERAMIC(TEMP.C	0.1UF 50V 80%,-20% Y5V(F) 1608	
		C529	0CH1104K942	CAPACITOR, FIXED CERAMIC(TEMP.C	0.1UF 50V 80%,-20% Y5V(F) 1608	
		C530	0CH1104K942	CAPACITOR, FIXED CERAMIC(TEMP.C	0.1UF 50V 80%,-20% Y5V(F) 1608	

S	AL	LOCA. NO.	PART NO.	DESCRIPTION	SPECIFICATION	REMARKS
		C531	0CH1104K942	CAPACITOR, FIXED CERAMIC(TEMP.C	0.1UF 50V 80%,-20% Y5V(F) 1608	
		C532	0CH1104K942	CAPACITOR, FIXED CERAMIC(TEMP.C	0.1UF 50V 80%,-20% Y5V(F) 1608	
		C533	0CH1104K942	CAPACITOR, FIXED CERAMIC(TEMP.C	0.1UF 50V 80%,-20% Y5V(F) 1608	
		C536	0CH4150K412	CAPACITOR, FIXED CERAMIC(HIGH D	15PF 50V 5% NP0 1608 R/TP	
		C537	0CH4120K412	CAPACITOR, FIXED CERAMIC(HIGH D	12PF 50V 5% NP0 1608 R/TP	
		C540	0CH1104K942	CAPACITOR, FIXED CERAMIC(TEMP.C	0.1UF 50V 80%,-20% Y5V(F) 1608	
		C541	0CH1104K942	CAPACITOR, FIXED CERAMIC(TEMP.C	0.1UF 50V 80%,-20% Y5V(F) 1608	
		C543	0CH1104K942	CAPACITOR, FIXED CERAMIC(TEMP.C	0.1UF 50V 80%,-20% Y5V(F) 1608	
		C546	0CH1104K942	CAPACITOR, FIXED CERAMIC(TEMP.C	0.1UF 50V 80%,-20% Y5V(F) 1608	
		C549	0CK474CF94A	CAPACITOR, FIXED CERAMIC(HIGH D	0.47UF 1608 16V 80%,-20% R/TP	
		C551	0CH4391K412	CAPACITOR, FIXED CERAMIC(HIGH D	390PF 50V 5% NP0 1608 R/TP	
		C552	0CH1104K942	CAPACITOR, FIXED CERAMIC(TEMP.C	0.1UF 50V 80%,-20% Y5V(F) 1608	
		C553	0CH1473K942	CAPACITOR, FIXED CERAMIC(TEMP.C	0.047UF 50V 80%,-20% Y5V(F) 16	
		C554	0CH1473K942	CAPACITOR, FIXED CERAMIC(TEMP.C	0.047UF 50V 80%,-20% Y5V(F) 16	
		C555	0CH1105D942	CAPACITOR, FIXED CERAMIC(TEMP.C	1UF 10V 80%,-20% Y5V(F) 1608 R	
		C557	0CH1104K942	CAPACITOR, FIXED CERAMIC(TEMP.C	0.1UF 50V 80%,-20% Y5V(F) 1608	
		C558	0CH1104K942	CAPACITOR, FIXED CERAMIC(TEMP.C	0.1UF 50V 80%,-20% Y5V(F) 1608	
		C559	0CH1105D942	CAPACITOR, FIXED CERAMIC(TEMP.C	1UF 10V 80%,-20% Y5V(F) 1608 R	
		C560	0CH1104K942	CAPACITOR, FIXED CERAMIC(TEMP.C	0.1UF 50V 80%,-20% Y5V(F) 1608	
		C561	0CH1104K942	CAPACITOR, FIXED CERAMIC(TEMP.C	0.1UF 50V 80%,-20% Y5V(F) 1608	
		C562	0CH1102K562	CAPACITOR, FIXED CERAMIC(TEMP.C	1000PF 50V 10% X7R(X) 1608 R/T	
		C563	0CH4200K412	CAPACITOR, FIXED CERAMIC(HIGH D	20PF 50V 5% NP0 1608 R/TP	
		C564	0CH1104K942	CAPACITOR, FIXED CERAMIC(TEMP.C	0.1UF 50V 80%,-20% Y5V(F) 1608	
		C565	0CH1333K562	CAPACITOR, FIXED CERAMIC(TEMP.C	0.033UF 50V 10% X7R(X) 1608 R/	
		C567	0CH1104K942	CAPACITOR, FIXED CERAMIC(TEMP.C	0.1UF 50V 80%,-20% Y5V(F) 1608	
		C568	0CH1104K942	CAPACITOR, FIXED CERAMIC(TEMP.C	0.1UF 50V 80%,-20% Y5V(F) 1608	
		C569	0CH1104K942	CAPACITOR, FIXED CERAMIC(TEMP.C	0.1UF 50V 80%,-20% Y5V(F) 1608	
		C570	0CH1104K942	CAPACITOR, FIXED CERAMIC(TEMP.C	0.1UF 50V 80%,-20% Y5V(F) 1608	
		C571	0CH1104K942	CAPACITOR, FIXED CERAMIC(TEMP.C	0.1UF 50V 80%,-20% Y5V(F) 1608	
		C573	0CH1104K942	CAPACITOR, FIXED CERAMIC(TEMP.C	0.1UF 50V 80%,-20% Y5V(F) 1608	
		C574	0CH1104K942	CAPACITOR, FIXED CERAMIC(TEMP.C	0.1UF 50V 80%,-20% Y5V(F) 1608	
		C575	0CH1103K562	CAPACITOR, FIXED CERAMIC(TEMP.C	0.01UF 50V 10% X7R(X) 1608 R/T	
		C576	0CH1222K562	CAPACITOR, FIXED CERAMIC(TEMP.C	2200PF 50V 10% X7R(X) 1608 R/T	
		C577	0CH1104K942	CAPACITOR, FIXED CERAMIC(TEMP.C	0.1UF 50V 80%,-20% Y5V(F) 1608	
		C578	0CH1104K942	CAPACITOR, FIXED CERAMIC(TEMP.C	0.1UF 50V 80%,-20% Y5V(F) 1608	
		C579	0CH1104K942	CAPACITOR, FIXED CERAMIC(TEMP.C	0.1UF 50V 80%,-20% Y5V(F) 1608	
		C580	0CH1104K942	CAPACITOR, FIXED CERAMIC(TEMP.C	0.1UF 50V 80%,-20% Y5V(F) 1608	
		C581	0CH1104K942	CAPACITOR, FIXED CERAMIC(TEMP.C	0.1UF 50V 80%,-20% Y5V(F) 1608	
		C582	0CH1104K942	CAPACITOR, FIXED CERAMIC(TEMP.C	0.1UF 50V 80%,-20% Y5V(F) 1608	
		C583	0CH1104K942	CAPACITOR, FIXED CERAMIC(TEMP.C	0.1UF 50V 80%,-20% Y5V(F) 1608	
		C584	0CH1104K942	CAPACITOR, FIXED CERAMIC(TEMP.C	0.1UF 50V 80%,-20% Y5V(F) 1608	
		C585	0CH1104K942	CAPACITOR, FIXED CERAMIC(TEMP.C	0.1UF 50V 80%,-20% Y5V(F) 1608	
		C586	0CH1104K942	CAPACITOR, FIXED CERAMIC(TEMP.C	0.1UF 50V 80%,-20% Y5V(F) 1608	
		C587	0CH1104K942	CAPACITOR, FIXED CERAMIC(TEMP.C	0.1UF 50V 80%,-20% Y5V(F) 1608	
		C593	0CH4221K412	CAPACITOR, FIXED CERAMIC(HIGH D	220PF 50V 5% NP0 1608 R/TP	
		C594	0CH4221K412	CAPACITOR, FIXED CERAMIC(HIGH D	220PF 50V 5% NP0 1608 R/TP	
		C595	0CH1104K942	CAPACITOR, FIXED CERAMIC(TEMP.C	0.1UF 50V 80%,-20% Y5V(F) 1608	
		C597	0CH4221K412	CAPACITOR, FIXED CERAMIC(HIGH D	220PF 50V 5% NP0 1608 R/TP	
		C598	0CH1104K942	CAPACITOR, FIXED CERAMIC(TEMP.C	0.1UF 50V 80%,-20% Y5V(F) 1608	
		C5A2	0CH4470K412	CAPACITOR, FIXED CERAMIC(HIGH D	47PF 50V 5% NP0 1608 R/TP	
		C5A8	0CH1104K942	CAPACITOR, FIXED CERAMIC(TEMP.C	0.1UF 50V 80%,-20% Y5V(F) 1608	
		C5A9	0CH4221K412	CAPACITOR, FIXED CERAMIC(HIGH D	220PF 50V 5% NP0 1608 R/TP	
		C5B1	0CH4221K412	CAPACITOR, FIXED CERAMIC(HIGH D	220PF 50V 5% NP0 1608 R/TP	
		C5B4	0CH1104K942	CAPACITOR, FIXED CERAMIC(TEMP.C	0.1UF 50V 80%,-20% Y5V(F) 1608	
		C5B5	0CH1104K942	CAPACITOR, FIXED CERAMIC(TEMP.C	0.1UF 50V 80%,-20% Y5V(F) 1608	
		C5B7	0CH1104K942	CAPACITOR, FIXED CERAMIC(TEMP.C	0.1UF 50V 80%,-20% Y5V(F) 1608	
		C5B8	0CH1104K942	CAPACITOR, FIXED CERAMIC(TEMP.C	0.1UF 50V 80%,-20% Y5V(F) 1608	

S	AL	LOCA. NO.	PART NO.	DESCRIPTION	SPECIFICATION	REMARKS
		C600	0CH1104K942	CAPACITOR, FIXED CERAMIC(TEMP.C	0.1UF 50V 80%,-20% Y5V(F) 1608	
		C603	0CH1104K942	CAPACITOR, FIXED CERAMIC(TEMP.C	0.1UF 50V 80%,-20% Y5V(F) 1608	
		C604	0CH1105D942	CAPACITOR, FIXED CERAMIC(TEMP.C	1UF 10V 80%,-20% Y5V(F) 1608 R	
		C605	0CH1105D942	CAPACITOR, FIXED CERAMIC(TEMP.C	1UF 10V 80%,-20% Y5V(F) 1608 R	
		C606	0CH1104K942	CAPACITOR, FIXED CERAMIC(TEMP.C	0.1UF 50V 80%,-20% Y5V(F) 1608	
		C609	0CH1102K562	CAPACITOR, FIXED CERAMIC(TEMP.C	1000PF 50V 10% X7R(X) 1608 R/T	
		C610	0CH4271K412	CAPACITOR, FIXED CERAMIC(HIGH D	270PF 50V 5% NP0 1608 R/TP	
		C611	0CH4271K412	CAPACITOR, FIXED CERAMIC(HIGH D	270PF 50V 5% NP0 1608 R/TP	
		C613	0CH4271K412	CAPACITOR, FIXED CERAMIC(HIGH D	270PF 50V 5% NP0 1608 R/TP	
		C614	0CH4271K412	CAPACITOR, FIXED CERAMIC(HIGH D	270PF 50V 5% NP0 1608 R/TP	
		C615	0CH1102K562	CAPACITOR, FIXED CERAMIC(TEMP.C	1000PF 50V 10% X7R(X) 1608 R/T	
		C618	0CH1104K942	CAPACITOR, FIXED CERAMIC(TEMP.C	0.1UF 50V 80%,-20% Y5V(F) 1608	
		C623	0CH1392K562	CAPACITOR, FIXED CERAMIC(TEMP.C	3900PF 50V 10% X7R(X) 1608 R/T	
		C624	0CH1392K562	CAPACITOR, FIXED CERAMIC(TEMP.C	3900PF 50V 10% X7R(X) 1608 R/T	
		C633	0CH1104K942	CAPACITOR, FIXED CERAMIC(TEMP.C	0.1UF 50V 80%,-20% Y5V(F) 1608	
		C635	0CH1104K942	CAPACITOR, FIXED CERAMIC(TEMP.C	0.1UF 50V 80%,-20% Y5V(F) 1608	
		C637	0CH1104K942	CAPACITOR, FIXED CERAMIC(TEMP.C	0.1UF 50V 80%,-20% Y5V(F) 1608	
		C673	0CH1104K942	CAPACITOR, FIXED CERAMIC(TEMP.C	0.1UF 50V 80%,-20% Y5V(F) 1608	
		C674	0CH1104K942	CAPACITOR, FIXED CERAMIC(TEMP.C	0.1UF 50V 80%,-20% Y5V(F) 1608	
		C676	0CH1104K942	CAPACITOR, FIXED CERAMIC(TEMP.C	0.1UF 50V 80%,-20% Y5V(F) 1608	
		C677	0CH1104K942	CAPACITOR, FIXED CERAMIC(TEMP.C	0.1UF 50V 80%,-20% Y5V(F) 1608	
		C678	0CH1104K942	CAPACITOR, FIXED CERAMIC(TEMP.C	0.1UF 50V 80%,-20% Y5V(F) 1608	
		C680	0CH1104K942	CAPACITOR, FIXED CERAMIC(TEMP.C	0.1UF 50V 80%,-20% Y5V(F) 1608	
		C681	0CH1104K942	CAPACITOR, FIXED CERAMIC(TEMP.C	0.1UF 50V 80%,-20% Y5V(F) 1608	
		C682	0CH1104K942	CAPACITOR, FIXED CERAMIC(TEMP.C	0.1UF 50V 80%,-20% Y5V(F) 1608	
		C683	0CH1104K942	CAPACITOR, FIXED CERAMIC(TEMP.C	0.1UF 50V 80%,-20% Y5V(F) 1608	
		C691	0CH1104K942	CAPACITOR, FIXED CERAMIC(TEMP.C	0.1UF 50V 80%,-20% Y5V(F) 1608	
		C6A1	0CH1104K942	CAPACITOR, FIXED CERAMIC(TEMP.C	0.1UF 50V 80%,-20% Y5V(F) 1608	
		C6A2	0CH1104K942	CAPACITOR, FIXED CERAMIC(TEMP.C	0.1UF 50V 80%,-20% Y5V(F) 1608	
		C6A3	0CH1104K942	CAPACITOR, FIXED CERAMIC(TEMP.C	0.1UF 50V 80%,-20% Y5V(F) 1608	
		C6B1	0CH1103K562	CAPACITOR, FIXED CERAMIC(TEMP.C	0.01UF 50V 10% X7R(X) 1608 R/T	
		C6W1	0CH1104K942	CAPACITOR, FIXED CERAMIC(TEMP.C	0.1UF 50V 80%,-20% Y5V(F) 1608	
		C6W2	0CH1104K942	CAPACITOR, FIXED CERAMIC(TEMP.C	0.1UF 50V 80%,-20% Y5V(F) 1608	
		C6W4	0CH4101K412	CAPACITOR, FIXED CERAMIC(HIGH D	100PF 50V 5% NP0 1608 R/TP	
		C6W5	0CH4270K412	CAPACITOR, FIXED CERAMIC(HIGH D	27PF 50V 5% NP0 1608 R/TP	
		C6W6	0CH4101K412	CAPACITOR, FIXED CERAMIC(HIGH D	100PF 50V 5% NP0 1608 R/TP	
		CN201	6630XE00123	CONNECTOR (CIRC),FFC/FPC	04-6232-023-010-801+/JE500-B1.	
		CN202	6630XE00106	CONNECTOR (CIRC),FFC/FPC	JE500-B1.0-T06/04-6232-006-010	
		CN203	6630XE00105	CONNECTOR (CIRC),FFC/FPC	JE500-B1.0-T05/04-6232-005-010	
		CN502	6630XE00118	CONNECTOR (CIRC),FFC/FPC	04-6232-018-010-801+/JE500-B1.	
		CN601	6630XE00118	CONNECTOR (CIRC),FFC/FPC	04-6232-018-010-801+/JE500-B1.	
		CN602	6630XE00118	CONNECTOR (CIRC),FFC/FPC	04-6232-018-010-801+/JE500-B1.	
		D600	0DSRM00118A	DIODE, SWITCHING	DAP202K T146 ROHM R/TP SMD 80V	
		D600	0DD181009AA	DIODE, DRAWING	DIODE CHIP KDS181-T1(A3) KEC	ALTERNATE
		F600	6200JB8010V	FILTER(CIRC),EMC	LFA20-2A1E473MT MITSUBISHI MAT	
		IC201	0ILNRJU001A	IC, LINEAR	IP4504 INTERPION 28PIN,SSOPH-3	
		IC201	0ILNRJU001B	IC, LINEAR	IP4504ALTF INTERPION 28PIN,SSO	ALTERNATE
		IC501	0ILNRNF009B	IC, LINEAR	MT1389FE/CO2-L MEDIATEK INCORP	
		IC503	0IMMRHY001E	IC, MEMORIES	HY57V641620HGT-7 HYUNDAI 54PIN	
		IC503	0IMMREB004A	IC, MEMORIES	M12L64164A-7T ELITE MEMORY TEC	ALTERNATE
		IC506	0ISS240210A	IC, SAMSUNG ELECTRONICS	S524A40X21-SCT0 SOP8 TP EEPROM	
		IC507	0IFA742440F	IC, FAIRCHILD	MM74HCT244SJ 20P SOIC TP 3-STA	
		IC601	0IPRPCI003C	IC, PERIPHERALS	CS4391A-KZR CIRRUS LOGIC 20PIN	
		IC601	0IPRPCI003B	IC, PERIPHERALS	CS4391-KZR CIRRUS LOGIC 20 TSS	ALTERNATE
		IC602	0ILNRBB003A	IC, LINEAR	0PA2604AU BUR BROWN 8P SOP R/T	
		IC604	0IPRPMT008A	IC, PERIPHERALS	MM1623XFBE MITSUMI 28PIN SOP R	
		L202	6200HJC102A	FILTER(CIRC),EMC	HB-1M2012-102JT CERATECH TP	

S	AL	LOCA. NO.	PART NO.	DESCRIPTION	SPECIFICATION	REMARKS
		L204	6200HJC102A	FILTER(CIRC),EMC	HB-1M2012-102JT CERATECH TP	
		L205	0LCCE00004E	INDUCTOR,CHIP	FI-C2012-103KJT (10UH) CERATEC	
		L206	6200HJC102A	FILTER(CIRC),EMC	HB-1M2012-102JT CERATECH TP	
		L502	6200HJC102A	FILTER(CIRC),EMC	HB-1M2012-102JT CERATECH TP	
		L503	6200HJC102A	FILTER(CIRC),EMC	HB-1M2012-102JT CERATECH TP	
		L504	6200HJC102A	FILTER(CIRC),EMC	HB-1M2012-102JT CERATECH TP	
		L505	6200HJC102A	FILTER(CIRC),EMC	HB-1M2012-102JT CERATECH TP	
		L509	6200HJC102A	FILTER(CIRC),EMC	HB-1M2012-102JT CERATECH TP	
		L510	6200HJC102A	FILTER(CIRC),EMC	HB-1M2012-102JT CERATECH TP	
		L600	6200HJC102A	FILTER(CIRC),EMC	HB-1M2012-102JT CERATECH TP	
		L601	6200HJC102A	FILTER(CIRC),EMC	HB-1M2012-102JT CERATECH TP	
		L602	6200HJC102A	FILTER(CIRC),EMC	HB-1M2012-102JT CERATECH TP	
		L673	6200HJC102A	FILTER(CIRC),EMC	HB-1M2012-102JT CERATECH TP	
		L674	6200HJC102A	FILTER(CIRC),EMC	HB-1M2012-102JT CERATECH TP	
		L690	6200HJC102A	FILTER(CIRC),EMC	HB-1M2012-102JT CERATECH TP	
		Q201	0TR387509AC	TRANSISTOR,BIPOLARS	CHIP KTC3875S-GR-T1(ALG) TP KE	
		Q201	0TRON80009A	TRANSISTOR,BIPOLARS	BC846ALT1 ON SEMI(MOTOROLA) R/	ALTERNATE
		Q201	0TRAU80017A	TRANSISTOR,BIPOLARS	2SC5343SG AUK KOREA R/TP SOT23	ALTERNATE
		Q202	0TRRH80042A	TRANSISTOR,BIPOLARS	2SK3018 T106 ROHM KOREA R/TP U	
		Q203	0TRRH80042A	TRANSISTOR,BIPOLARS	2SK3018 T106 ROHM KOREA R/TP U	
		Q204	0TR150409AC	TRANSISTOR,BIPOLARS	KTA1504 TP KEC - -GR-T1(ASG) C	
		Q205	0TR150409AC	TRANSISTOR,BIPOLARS	KTA1504 TP KEC - -GR-T1(ASG) C	
		Q600	0TR150409AC	TRANSISTOR,BIPOLARS	KTA1504 TP KEC - -GR-T1(ASG) C	
		Q601	0TR103009AC	TRANSISTOR,BIPOLARS	KRA103S-T1(PC)22-22 CHIP TP KE	
		Q601	0TRAU80012A	TRANSISTOR,BIPOLARS	SRA2203S AUK KOREA R/TP SOT23	ALTERNATE
		Q601	0TRON80007A	TRANSISTOR,BIPOLARS	MMUN2112LT1 ON SEMI(MOTOROLA)	ALTERNATE
		Q602	0TR103009AC	TRANSISTOR,BIPOLARS	KRA103S-T1(PC)22-22 CHIP TP KE	
		Q602	0TRAU80012A	TRANSISTOR,BIPOLARS	SRA2203S AUK KOREA R/TP SOT23	ALTERNATE
		Q602	0TRON80007A	TRANSISTOR,BIPOLARS	MMUN2112LT1 ON SEMI(MOTOROLA)	ALTERNATE
		Q603	0TRAU80017A	TRANSISTOR,BIPOLARS	2SC5343SG AUK KOREA R/TP SOT23	
		Q603	0TRON80009A	TRANSISTOR,BIPOLARS	BC846ALT1 ON SEMI(MOTOROLA) R/	ALTERNATE
		Q603	0TR387509AC	TRANSISTOR,BIPOLARS	CHIP KTC3875S-GR-T1(ALG) TP KE	ALTERNATE
		Q604	0TRAU80017A	TRANSISTOR,BIPOLARS	2SC5343SG AUK KOREA R/TP SOT23	
		Q604	0TR387509AC	TRANSISTOR,BIPOLARS	CHIP KTC3875S-GR-T1(ALG) TP KE	ALTERNATE
		Q604	0TRON80009A	TRANSISTOR,BIPOLARS	BC846ALT1 ON SEMI(MOTOROLA) R/	ALTERNATE
		Q605	0TRON80009A	TRANSISTOR,BIPOLARS	BC846ALT1 ON SEMI(MOTOROLA) R/	
		Q605	0TR387509AC	TRANSISTOR,BIPOLARS	CHIP KTC3875S-GR-T1(ALG) TP KE	ALTERNATE
		Q605	0TRAU80017A	TRANSISTOR,BIPOLARS	2SC5343SG AUK KOREA R/TP SOT23	ALTERNATE
		Q606	0TRON80009A	TRANSISTOR,BIPOLARS	BC846ALT1 ON SEMI(MOTOROLA) R/	
		Q606	0TRAU80017A	TRANSISTOR,BIPOLARS	2SC5343SG AUK KOREA R/TP SOT23	ALTERNATE
		Q606	0TR387509AC	TRANSISTOR,BIPOLARS	CHIP KTC3875S-GR-T1(ALG) TP KE	ALTERNATE
		Q6T0	0TRON80009A	TRANSISTOR,BIPOLARS	BC846ALT1 ON SEMI(MOTOROLA) R/	
		Q6T0	0TRAU80017A	TRANSISTOR,BIPOLARS	2SC5343SG AUK KOREA R/TP SOT23	ALTERNATE
		Q6T0	0TR387509AC	TRANSISTOR,BIPOLARS	CHIP KTC3875S-GR-T1(ALG) TP KE	ALTERNATE
		R201	0RH1002C622	RESISTOR,METAL GLAZED(CHIP)	10K OHM 1 / 16 W 1608 5.00% D	
		R202	0RH1003C622	RESISTOR,METAL GLAZED(CHIP)	100K OHM 1 / 16 W 1608 5.00% D	
		R203	0RH1002C622	RESISTOR,METAL GLAZED(CHIP)	10K OHM 1 / 16 W 1608 5.00% D	
		R204	0RH1003C622	RESISTOR,METAL GLAZED(CHIP)	100K OHM 1 / 16 W 1608 5.00% D	
		R205	0RH0000C622	RESISTOR,METAL GLAZED(CHIP)	0 OHM 1 / 16 W 1608 5.00% D	
		R206	0RH0000C622	RESISTOR,METAL GLAZED(CHIP)	0 OHM 1 / 16 W 1608 5.00% D	
		R207	0RH0000C622	RESISTOR,METAL GLAZED(CHIP)	0 OHM 1 / 16 W 1608 5.00% D	
		R208	0RH0000C622	RESISTOR,METAL GLAZED(CHIP)	0 OHM 1 / 16 W 1608 5.00% D	
		R209	0RH0000C622	RESISTOR,METAL GLAZED(CHIP)	0 OHM 1 / 16 W 1608 5.00% D	
		R210	0RH0000C622	RESISTOR,METAL GLAZED(CHIP)	0 OHM 1 / 16 W 1608 5.00% D	
		R211	0RH0000C622	RESISTOR,METAL GLAZED(CHIP)	0 OHM 1 / 16 W 1608 5.00% D	
		R212	0RH1002C622	RESISTOR,METAL GLAZED(CHIP)	10K OHM 1 / 16 W 1608 5.00% D	
		R213	0RH0331C622	RESISTOR,METAL GLAZED(CHIP)	3.3 OHM 1 / 16 W 1608 5.00% D	

S	AL	LOCA. NO.	PART NO.	DESCRIPTION	SPECIFICATION	REMARKS
		R214	0RH0471C622	RESISTOR,METAL GLAZED(CHIP)	4.7 OHM 1 / 16 W 1608 5.00% D	
		R215	0RH0000C622	RESISTOR,METAL GLAZED(CHIP)	0 OHM 1 / 16 W 1608 5.00% D	
		R216	0RH0000C622	RESISTOR,METAL GLAZED(CHIP)	0 OHM 1 / 16 W 1608 5.00% D	
		R217	0RJ7503C677	RESISTOR,METAL GLAZED(CHIP)	750K OHM 1/16 W 5% 1608 R/TP	
		R218	0RJ7503C677	RESISTOR,METAL GLAZED(CHIP)	750K OHM 1/16 W 5% 1608 R/TP	
		R219	0RH0000C622	RESISTOR,METAL GLAZED(CHIP)	0 OHM 1 / 16 W 1608 5.00% D	
		R220	0RH3903C622	RESISTOR,METAL GLAZED(CHIP)	390K OHM 1 / 16 W 1608 5.00% D	
		R221	0RH3903C622	RESISTOR,METAL GLAZED(CHIP)	390K OHM 1 / 16 W 1608 5.00% D	
		R222	0RH0101C622	RESISTOR,METAL GLAZED(CHIP)	1 OHM 1 / 16 W 1608 5.00% D	
		R223	0RH0000C622	RESISTOR,METAL GLAZED(CHIP)	0 OHM 1 / 16 W 1608 5.00% D	
		R224	0RH0000C622	RESISTOR,METAL GLAZED(CHIP)	0 OHM 1 / 16 W 1608 5.00% D	
		R225	0RH0000C622	RESISTOR,METAL GLAZED(CHIP)	0 OHM 1 / 16 W 1608 5.00% D	
		R226	0RH0000C622	RESISTOR,METAL GLAZED(CHIP)	0 OHM 1 / 16 W 1608 5.00% D	
		R227	0RH5601C622	RESISTOR,METAL GLAZED(CHIP)	5.6K OHM 1 / 16 W 1608 5.00% D	
		R228	0RH2701C622	RESISTOR,METAL GLAZED(CHIP)	2.7K OHM 1 / 16 W 1608 5.00% D	
		R231	0RH0101C622	RESISTOR,METAL GLAZED(CHIP)	1 OHM 1 / 16 W 1608 5.00% D	
		R232	0RH0101C622	RESISTOR,METAL GLAZED(CHIP)	1 OHM 1 / 16 W 1608 5.00% D	
		R233	0RH0101C622	RESISTOR,METAL GLAZED(CHIP)	1 OHM 1 / 16 W 1608 5.00% D	
		R234	0RH0101C622	RESISTOR,METAL GLAZED(CHIP)	1 OHM 1 / 16 W 1608 5.00% D	
		R236	0RH0000C622	RESISTOR,METAL GLAZED(CHIP)	0 OHM 1 / 16 W 1608 5.00% D	
		R239	0RH1002C622	RESISTOR,METAL GLAZED(CHIP)	10K OHM 1 / 16 W 1608 5.00% D	
		R240	0RH5602C622	RESISTOR,METAL GLAZED(CHIP)	56K OHM 1 / 16 W 1608 5.00% D	
		R243	0RH1002C622	RESISTOR,METAL GLAZED(CHIP)	10K OHM 1 / 16 W 1608 5.00% D	
		R244	0RH2201C622	RESISTOR,METAL GLAZED(CHIP)	2.2K OHM 1 / 16 W 1608 5.00% D	
		R246	0RH1002C622	RESISTOR,METAL GLAZED(CHIP)	10K OHM 1 / 16 W 1608 5.00% D	
		R504	0RH2202C622	RESISTOR,METAL GLAZED(CHIP)	22K OHM 1 / 16 W 1608 5.00% D	
		R505	0RH2202C622	RESISTOR,METAL GLAZED(CHIP)	22K OHM 1 / 16 W 1608 5.00% D	
		R506	0RH6801C622	RESISTOR,METAL GLAZED(CHIP)	6.8K OHM 1 / 16 W 1608 5.00% D	
		R507	0RH2202C622	RESISTOR,METAL GLAZED(CHIP)	22K OHM 1 / 16 W 1608 5.00% D	
		R508	0RH6801C622	RESISTOR,METAL GLAZED(CHIP)	6.8K OHM 1 / 16 W 1608 5.00% D	
		R509	0RH1002C622	RESISTOR,METAL GLAZED(CHIP)	10K OHM 1 / 16 W 1608 5.00% D	
		R510	0RH0332C622	RESISTOR,METAL GLAZED(CHIP)	33 OHM 1 / 16 W 1608 5.00% D	
		R511	0RH1001C622	RESISTOR,METAL GLAZED(CHIP)	1K OHM 1 / 16 W 1608 5.00% D	
		R512	0RH0332C622	RESISTOR,METAL GLAZED(CHIP)	33 OHM 1 / 16 W 1608 5.00% D	
		R513	0RH0332C622	RESISTOR,METAL GLAZED(CHIP)	33 OHM 1 / 16 W 1608 5.00% D	
		R514	0RH0332C622	RESISTOR,METAL GLAZED(CHIP)	33 OHM 1 / 16 W 1608 5.00% D	
		R515	0RH0332C622	RESISTOR,METAL GLAZED(CHIP)	33 OHM 1 / 16 W 1608 5.00% D	
		R516	0RH0332C622	RESISTOR,METAL GLAZED(CHIP)	33 OHM 1 / 16 W 1608 5.00% D	
		R517	0RH0332C622	RESISTOR,METAL GLAZED(CHIP)	33 OHM 1 / 16 W 1608 5.00% D	
		R518	0RH0681C622	RESISTOR,METAL GLAZED(CHIP)	6.8 OHM 1 / 16 W 1608 5.00% D	
		R520	0RH0332C622	RESISTOR,METAL GLAZED(CHIP)	33 OHM 1 / 16 W 1608 5.00% D	
		R521	0RH0332C622	RESISTOR,METAL GLAZED(CHIP)	33 OHM 1 / 16 W 1608 5.00% D	
		R522	0RH2001C622	RESISTOR,METAL GLAZED(CHIP)	2K OHM 1 / 16 W 1608 5.00% D	
		R523	0RH0000C622	RESISTOR,METAL GLAZED(CHIP)	0 OHM 1 / 16 W 1608 5.00% D	
		R524	0RH0000C622	RESISTOR,METAL GLAZED(CHIP)	0 OHM 1 / 16 W 1608 5.00% D	
		R525	0RJ7503C677	RESISTOR,METAL GLAZED(CHIP)	750K OHM 1/16 W 5% 1608 R/TP	
		R526	0RH1003C622	RESISTOR,METAL GLAZED(CHIP)	100K OHM 1 / 16 W 1608 5.00% D	
		R527	0RH1502C622	RESISTOR,METAL GLAZED(CHIP)	15K OHM 1 / 16 W 1608 5.00% D	
		R528	0RH1002C622	RESISTOR,METAL GLAZED(CHIP)	10K OHM 1 / 16 W 1608 5.00% D	
		R529	0RH0000C622	RESISTOR,METAL GLAZED(CHIP)	0 OHM 1 / 16 W 1608 5.00% D	
		R530	0RH0000C622	RESISTOR,METAL GLAZED(CHIP)	0 OHM 1 / 16 W 1608 5.00% D	
		R531	0RH1001C622	RESISTOR,METAL GLAZED(CHIP)	1K OHM 1 / 16 W 1608 5.00% D	
		R532	0RH1001C622	RESISTOR,METAL GLAZED(CHIP)	1K OHM 1 / 16 W 1608 5.00% D	
		R533	0RH4701C622	RESISTOR,METAL GLAZED(CHIP)	4.7K OHM 1 / 16 W 1608 5.00% D	
		R549	0RH0000C622	RESISTOR,METAL GLAZED(CHIP)	0 OHM 1 / 16 W 1608 5.00% D	
		R556	0RH1201C622	RESISTOR,METAL GLAZED(CHIP)	1.2K OHM 1 / 16 W 1608 5.00% D	
		R557	0RH1201C622	RESISTOR,METAL GLAZED(CHIP)	1.2K OHM 1 / 16 W 1608 5.00% D	

S	AL	LOCA. NO.	PART NO.	DESCRIPTION	SPECIFICATION	REMARKS
		R558	0RH1201C622	RESISTOR,METAL GLAZED(CHIP)	1.2K OHM 1 / 16 W 1608 5.00% D	
		R559	0RH1201C622	RESISTOR,METAL GLAZED(CHIP)	1.2K OHM 1 / 16 W 1608 5.00% D	
		R560	0RH1201C622	RESISTOR,METAL GLAZED(CHIP)	1.2K OHM 1 / 16 W 1608 5.00% D	
		R565	0RH0102C622	RESISTOR,METAL GLAZED(CHIP)	10 OHM 1 / 16 W 1608 5.00% D	
		R566	0RH1003C622	RESISTOR,METAL GLAZED(CHIP)	100K OHM 1 / 16 W 1608 5.00% D	
		R569	0RH4701C622	RESISTOR,METAL GLAZED(CHIP)	4.7K OHM 1 / 16 W 1608 5.00% D	
		R570	0RH1001C622	RESISTOR,METAL GLAZED(CHIP)	1K OHM 1 / 16 W 1608 5.00% D	
		R571	0RH1002C622	RESISTOR,METAL GLAZED(CHIP)	10K OHM 1 / 16 W 1608 5.00% D	
		R580	0RH4701C622	RESISTOR,METAL GLAZED(CHIP)	4.7K OHM 1 / 16 W 1608 5.00% D	
		R5D1	0RH1002C622	RESISTOR,METAL GLAZED(CHIP)	10K OHM 1 / 16 W 1608 5.00% D	
		R5D2	0RH1002C622	RESISTOR,METAL GLAZED(CHIP)	10K OHM 1 / 16 W 1608 5.00% D	
		R5E7	0RH1002C622	RESISTOR,METAL GLAZED(CHIP)	10K OHM 1 / 16 W 1608 5.00% D	
		R600	0RH1001C622	RESISTOR,METAL GLAZED(CHIP)	1K OHM 1 / 16 W 1608 5.00% D	
		R601	0RH0000C622	RESISTOR,METAL GLAZED(CHIP)	0 OHM 1 / 16 W 1608 5.00% D	
		R602	0RH0000C622	RESISTOR,METAL GLAZED(CHIP)	0 OHM 1 / 16 W 1608 5.00% D	
		R603	0RH0000C622	RESISTOR,METAL GLAZED(CHIP)	0 OHM 1 / 16 W 1608 5.00% D	
		R605	0RH7501C622	RESISTOR,METAL GLAZED(CHIP)	7.5K OHM 1 / 16 W 1608 5.00% D	
		R606	0RH7501C622	RESISTOR,METAL GLAZED(CHIP)	7.5K OHM 1 / 16 W 1608 5.00% D	
		R607	0RH8201C622	RESISTOR,METAL GLAZED(CHIP)	8.2K OHM 1 / 16 W 1608 5.00% D	
		R608	0RH1801C622	RESISTOR,METAL GLAZED(CHIP)	1.8K OHM 1 / 16 W 1608 5.00% D	
		R609	0RH1801C622	RESISTOR,METAL GLAZED(CHIP)	1.8K OHM 1 / 16 W 1608 5.00% D	
		R610	0RH8201C622	RESISTOR,METAL GLAZED(CHIP)	8.2K OHM 1 / 16 W 1608 5.00% D	
		R611	0RH8201C622	RESISTOR,METAL GLAZED(CHIP)	8.2K OHM 1 / 16 W 1608 5.00% D	
		R612	0RH5601C622	RESISTOR,METAL GLAZED(CHIP)	5.6K OHM 1 / 16 W 1608 5.00% D	
		R613	0RH4701C622	RESISTOR,METAL GLAZED(CHIP)	4.7K OHM 1 / 16 W 1608 5.00% D	
		R614	0RH1801C622	RESISTOR,METAL GLAZED(CHIP)	1.8K OHM 1 / 16 W 1608 5.00% D	
		R615	0RH1801C622	RESISTOR,METAL GLAZED(CHIP)	1.8K OHM 1 / 16 W 1608 5.00% D	
		R616	0RH8201C622	RESISTOR,METAL GLAZED(CHIP)	8.2K OHM 1 / 16 W 1608 5.00% D	
		R617	0RH7501C622	RESISTOR,METAL GLAZED(CHIP)	7.5K OHM 1 / 16 W 1608 5.00% D	
		R618	0RH7501C622	RESISTOR,METAL GLAZED(CHIP)	7.5K OHM 1 / 16 W 1608 5.00% D	
		R619	0RH3300C622	RESISTOR,METAL GLAZED(CHIP)	330 OHM 1 / 16 W 1608 5.00% D	
		R620	0RH3300C622	RESISTOR,METAL GLAZED(CHIP)	330 OHM 1 / 16 W 1608 5.00% D	
		R621	0RH2200C622	RESISTOR,METAL GLAZED(CHIP)	220 OHM 1 / 16 W 1608 5.00% D	
		R622	0RH2200C622	RESISTOR,METAL GLAZED(CHIP)	220 OHM 1 / 16 W 1608 5.00% D	
		R623	0RH1003C622	RESISTOR,METAL GLAZED(CHIP)	100K OHM 1 / 16 W 1608 5.00% D	
		R624	0RH1003C622	RESISTOR,METAL GLAZED(CHIP)	100K OHM 1 / 16 W 1608 5.00% D	
		R625	0RH1002C622	RESISTOR,METAL GLAZED(CHIP)	10K OHM 1 / 16 W 1608 5.00% D	
		R626	0RH1001C622	RESISTOR,METAL GLAZED(CHIP)	1K OHM 1 / 16 W 1608 5.00% D	
		R627	0RH1001C622	RESISTOR,METAL GLAZED(CHIP)	1K OHM 1 / 16 W 1608 5.00% D	
		R628	0RH1001C622	RESISTOR,METAL GLAZED(CHIP)	1K OHM 1 / 16 W 1608 5.00% D	
		R629	0RH1001C622	RESISTOR,METAL GLAZED(CHIP)	1K OHM 1 / 16 W 1608 5.00% D	
		R634	0RH1001C622	RESISTOR,METAL GLAZED(CHIP)	1K OHM 1 / 16 W 1608 5.00% D	
		R635	0RH4701C622	RESISTOR,METAL GLAZED(CHIP)	4.7K OHM 1 / 16 W 1608 5.00% D	
		R636	0RH4701C622	RESISTOR,METAL GLAZED(CHIP)	4.7K OHM 1 / 16 W 1608 5.00% D	
		R638	0RH0000C622	RESISTOR,METAL GLAZED(CHIP)	0 OHM 1 / 16 W 1608 5.00% D	
		R640	0RH1500C422	RESISTOR,METAL GLAZED(CHIP)	150 OHM 1 / 16 W 1608 1.00% D	
		R643	0RH1500C422	RESISTOR,METAL GLAZED(CHIP)	150 OHM 1 / 16 W 1608 1.00% D	
		R649	0RH1500C422	RESISTOR,METAL GLAZED(CHIP)	150 OHM 1 / 16 W 1608 1.00% D	
		R652	0RH1500C422	RESISTOR,METAL GLAZED(CHIP)	150 OHM 1 / 16 W 1608 1.00% D	
		R655	0RH1500C422	RESISTOR,METAL GLAZED(CHIP)	150 OHM 1 / 16 W 1608 1.00% D	
		R656	0RH0000C622	RESISTOR,METAL GLAZED(CHIP)	0 OHM 1 / 16 W 1608 5.00% D	
		R661	0RH0752C622	RESISTOR,METAL GLAZED(CHIP)	75 OHM 1 / 16 W 1608 5.00% D	
		R662	0RH0752C622	RESISTOR,METAL GLAZED(CHIP)	75 OHM 1 / 16 W 1608 5.00% D	
		R663	0RH0752C622	RESISTOR,METAL GLAZED(CHIP)	75 OHM 1 / 16 W 1608 5.00% D	
		R664	0RH0000C622	RESISTOR,METAL GLAZED(CHIP)	0 OHM 1 / 16 W 1608 5.00% D	
		R665	0RH0000C622	RESISTOR,METAL GLAZED(CHIP)	0 OHM 1 / 16 W 1608 5.00% D	
		R666	0RH0000C622	RESISTOR,METAL GLAZED(CHIP)	0 OHM 1 / 16 W 1608 5.00% D	

S	AL	LOCA. NO.	PART NO.	DESCRIPTION	SPECIFICATION	REMARKS
		R670	0RH0000C622	RESISTOR,METAL GLAZED(CHIP)	0 OHM 1 / 16 W 1608 5.00% D	
		R671	0RH0000C622	RESISTOR,METAL GLAZED(CHIP)	0 OHM 1 / 16 W 1608 5.00% D	
		R672	0RH0000C622	RESISTOR,METAL GLAZED(CHIP)	0 OHM 1 / 16 W 1608 5.00% D	
		R673	0RH0000C622	RESISTOR,METAL GLAZED(CHIP)	0 OHM 1 / 16 W 1608 5.00% D	
		R674	0RH0000C622	RESISTOR,METAL GLAZED(CHIP)	0 OHM 1 / 16 W 1608 5.00% D	
		R675	0RH0000C622	RESISTOR,METAL GLAZED(CHIP)	0 OHM 1 / 16 W 1608 5.00% D	
		R690	0RH1001C622	RESISTOR,METAL GLAZED(CHIP)	1K OHM 1 / 16 W 1608 5.00% D	
		R691	0RH0000C622	RESISTOR,METAL GLAZED(CHIP)	0 OHM 1 / 16 W 1608 5.00% D	
		R694	0RH0000C622	RESISTOR,METAL GLAZED(CHIP)	0 OHM 1 / 16 W 1608 5.00% D	
		R6A0	0RH0752C622	RESISTOR,METAL GLAZED(CHIP)	75 OHM 1 / 16 W 1608 5.00% D	
		R6A1	0RH0752C622	RESISTOR,METAL GLAZED(CHIP)	75 OHM 1 / 16 W 1608 5.00% D	
		R6A2	0RH0752C622	RESISTOR,METAL GLAZED(CHIP)	75 OHM 1 / 16 W 1608 5.00% D	
		R6A3	0RH0752C622	RESISTOR,METAL GLAZED(CHIP)	75 OHM 1 / 16 W 1608 5.00% D	
		R6A4	0RH0752C622	RESISTOR,METAL GLAZED(CHIP)	75 OHM 1 / 16 W 1608 5.00% D	
		R6A5	0RH0752C622	RESISTOR,METAL GLAZED(CHIP)	75 OHM 1 / 16 W 1608 5.00% D	
		R6C6	0RH0000C622	RESISTOR,METAL GLAZED(CHIP)	0 OHM 1 / 16 W 1608 5.00% D	
		R6C7	0RH0000C622	RESISTOR,METAL GLAZED(CHIP)	0 OHM 1 / 16 W 1608 5.00% D	
		R6C8	0RH0000C622	RESISTOR,METAL GLAZED(CHIP)	0 OHM 1 / 16 W 1608 5.00% D	
		R6C9	0RH0000C622	RESISTOR,METAL GLAZED(CHIP)	0 OHM 1 / 16 W 1608 5.00% D	
		R6D1	0RH0000C622	RESISTOR,METAL GLAZED(CHIP)	0 OHM 1 / 16 W 1608 5.00% D	
		R6T0	0RH1002C622	RESISTOR,METAL GLAZED(CHIP)	10K OHM 1 / 16 W 1608 5.00% D	
		R6T1	0RH6801C622	RESISTOR,METAL GLAZED(CHIP)	6.8K OHM 1 / 16 W 1608 5.00% D	
		R6T2	0RH4702C622	RESISTOR,METAL GLAZED(CHIP)	47K OHM 1 / 16 W 1608 5.00% D	
		R6U1	0RH4701C622	RESISTOR,METAL GLAZED(CHIP)	4.7K OHM 1 / 16 W 1608 5.00% D	
		R6U2	0RH5601C622	RESISTOR,METAL GLAZED(CHIP)	5.6K OHM 1 / 16 W 1608 5.00% D	
		R6W1	0RH1100C622	RESISTOR,METAL GLAZED(CHIP)	110 OHM 1 / 16 W 1608 5.00% D	
		R6W2	0RH0752C622	RESISTOR,METAL GLAZED(CHIP)	75 OHM 1 / 16 W 1608 5.00% D	
		R6W3	0RH0222C622	RESISTOR,METAL GLAZED(CHIP)	22 OHM 1 / 16 W 1608 5.00% D	
		R6W4	0RH1100C622	RESISTOR,METAL GLAZED(CHIP)	110 OHM 1 / 16 W 1608 5.00% D	
		R6W5	0RH0222C622	RESISTOR,METAL GLAZED(CHIP)	22 OHM 1 / 16 W 1608 5.00% D	
		ZD501	0DZPH00058A	DIODE,ZENERS	BZX84-C7V5 PHILIPS R/TP SOT23	
		C201	0CE1074F638	CAPACITOR,FIXED ELECTROLYTIC	100UF SRA,SS 16V 20% FM5 TP 5	
		C205	0CE4764F638	CAPACITOR,FIXED ELECTROLYTIC	47UF SRA,SS 16V 20% FM5 TP 5	
		C206	0CE4764F638	CAPACITOR,FIXED ELECTROLYTIC	47UF SRA,SS 16V 20% FM5 TP 5	
		C213	0CE4764F638	CAPACITOR,FIXED ELECTROLYTIC	47UF SRA,SS 16V 20% FM5 TP 5	
		C223	0CE2274C638	CAPACITOR,FIXED ELECTROLYTIC	220UF SRA,SS 6.3V 20% FM5 TP 5	
		C225	0CE2274C638	CAPACITOR,FIXED ELECTROLYTIC	220UF SRA,SS 6.3V 20% FM5 TP 5	
		C5B9	0CE4764F638	CAPACITOR,FIXED ELECTROLYTIC	47UF SRA,SS 16V 20% FM5 TP 5	
		C5C1	0CE4764F638	CAPACITOR,FIXED ELECTROLYTIC	47UF SRA,SS 16V 20% FM5 TP 5	
		C5C2	0CE2264F638	CAPACITOR,FIXED ELECTROLYTIC	22UF SRA,SS 16V 20% FM5 TP 5	
		C5C3	0CE1064F638	CAPACITOR,FIXED ELECTROLYTIC	10UF SRA,SS 16V 20% FM5 TP 5	
		C5C4	0CE1064F638	CAPACITOR,FIXED ELECTROLYTIC	10UF SRA,SS 16V 20% FM5 TP 5	
		C5C5	0CE4764F638	CAPACITOR,FIXED ELECTROLYTIC	47UF SRA,SS 16V 20% FM5 TP 5	
		C5C6	0CE1064F638	CAPACITOR,FIXED ELECTROLYTIC	10UF SRA,SS 16V 20% FM5 TP 5	
		C5C7	0CE1074F638	CAPACITOR,FIXED ELECTROLYTIC	100UF SRA,SS 16V 20% FM5 TP 5	
		C5C9	0CE2274C638	CAPACITOR,FIXED ELECTROLYTIC	220UF SRA,SS 6.3V 20% FM5 TP 5	
		C5D4	0CE2274C638	CAPACITOR,FIXED ELECTROLYTIC	220UF SRA,SS 6.3V 20% FM5 TP 5	
		C601	0CE4764F638	CAPACITOR,FIXED ELECTROLYTIC	47UF SRA,SS 16V 20% FM5 TP 5	
		C607	0CE2264F638	CAPACITOR,FIXED ELECTROLYTIC	22UF SRA,SS 16V 20% FM5 TP 5	
		C608	0CE2264F638	CAPACITOR,FIXED ELECTROLYTIC	22UF SRA,SS 16V 20% FM5 TP 5	
		C612	0CE2264F638	CAPACITOR,FIXED ELECTROLYTIC	22UF SRA,SS 16V 20% FM5 TP 5	
		C616	0CE2264F638	CAPACITOR,FIXED ELECTROLYTIC	22UF SRA,SS 16V 20% FM5 TP 5	
		C617	0CE2264F638	CAPACITOR,FIXED ELECTROLYTIC	22UF SRA,SS 16V 20% FM5 TP 5	
		C619	0CE1074F638	CAPACITOR,FIXED ELECTROLYTIC	100UF SRA,SS 16V 20% FM5 TP 5	
		C620	0CE2264F638	CAPACITOR,FIXED ELECTROLYTIC	22UF SRA,SS 16V 20% FM5 TP 5	
		C621	0CE2264F638	CAPACITOR,FIXED ELECTROLYTIC	22UF SRA,SS 16V 20% FM5 TP 5	
		C622	0CE2264F638	CAPACITOR,FIXED ELECTROLYTIC	22UF SRA,SS 16V 20% FM5 TP 5	

S	AL	LOCA. NO.	PART NO.	DESCRIPTION	SPECIFICATION	REMARKS
		C628	0CE1054K638	CAPACITOR,FIXED ELECTROLYTIC	1UF SRA,SS 50V 20% FM5 TP 5	
		C629	0CE1054K638	CAPACITOR,FIXED ELECTROLYTIC	1UF SRA,SS 50V 20% FM5 TP 5	
		C630	0CE1054K638	CAPACITOR,FIXED ELECTROLYTIC	1UF SRA,SS 50V 20% FM5 TP 5	
		C631	0CE1054K638	CAPACITOR,FIXED ELECTROLYTIC	1UF SRA,SS 50V 20% FM5 TP 5	
		C632	0CE1054K638	CAPACITOR,FIXED ELECTROLYTIC	1UF SRA,SS 50V 20% FM5 TP 5	
		C634	0CE2264F638	CAPACITOR,FIXED ELECTROLYTIC	22UF SRA,SS 16V 20% FM5 TP 5	
		C636	0CE4764F638	CAPACITOR,FIXED ELECTROLYTIC	47UF SRA,SS 16V 20% FM5 TP 5	
		C638	0CE2274C638	CAPACITOR,FIXED ELECTROLYTIC	220UF SRA,SS 6.3V 20% FM5 TP 5	
		C643	0CE1054K638	CAPACITOR,FIXED ELECTROLYTIC	1UF SRA,SS 50V 20% FM5 TP 5	
		C647	0CE1086C638	CAPACITOR,FIXED ELECTROLYTIC	1000000000PF SMS,SG 6.3V 20% F	
		C651	0CE1086C638	CAPACITOR,FIXED ELECTROLYTIC	1000000000PF SMS,SG 6.3V 20% F	
		C655	0CE1086C638	CAPACITOR,FIXED ELECTROLYTIC	1000000000PF SMS,SG 6.3V 20% F	
		C659	0CE4775C638	CAPACITOR,FIXED ELECTROLYTIC	470UF SR,SV 6.3V 20% FM5 TP 5	
		C663	0CE4775C638	CAPACITOR,FIXED ELECTROLYTIC	470UF SR,SV 6.3V 20% FM5 TP 5	
		C675	0CE1074F638	CAPACITOR,FIXED ELECTROLYTIC	100UF SRA,SS 16V 20% FM5 TP 5	
		C679	0CE2274C638	CAPACITOR,FIXED ELECTROLYTIC	220UF SRA,SS 6.3V 20% FM5 TP 5	
		C690	0CE2274C638	CAPACITOR,FIXED ELECTROLYTIC	220UF SRA,SS 6.3V 20% FM5 TP 5	
		C6W3	0CE1064F638	CAPACITOR,FIXED ELECTROLYTIC	10UF SRA,SS 16V 20% FM5 TP 5	
		CN603	561-7110	CONNECTOR (CIRC),WAFER	GIL-S-15P-S2T2-EF LG CABLE 15P	
		JK601	6612J00044G	JACK,RCA	ATT-10dB YUQIU RCA/DIN-200GK F	
		JK602	6612K00003B	JACK,FIBER OPTIC	PLT131/T5/12(12Mbps) EVERLIGHT	
		JK602	6612K00003A	JACK,FIBER OPTIC	PLT131/T5/6 EVERLIGHT PUSH TYP	ALTERNATE
		JK603	6612F00007A	JACK,PHONE	PJ-308-01 YUQIU	
		L201	0LR0102J025	INDUCTOR,RADIAL LEAD	10UH 5% TP 4 X 5 TR5 -	
		L203	0LR0102J025	INDUCTOR,RADIAL LEAD	10UH 5% TP 4 X 5 TR5 -	
		X501	6212AA2270G	RESONATOR,CRYSTAL	HC-49S SOUTH STAR 27MHZ +/- 20	
*** PWB(PCB) ASSEMBLY,TOTAL ***						
		A48	6871R-6281X	PWB(PCB) ASSEMBLY,TOTAL	DVN8043ECM SH IO ASSY	
		C303	0CE1064F638	CAPACITOR,FIXED ELECTROLYTIC	10UF SRA,SS 16V 20% FM5 TP 5	
		C304	0CE4774C638	CAPACITOR,FIXED ELECTROLYTIC	470UF SRA,SS 6.3V 20% FM5 TP 5	
		C304	0CE477CC618	CAPACITOR,FIXED ELECTROLYTIC	470UF SHL,SD 6.3V 20% TP 5 FL	ALTERNATE
		C309	0CE3354K638	CAPACITOR,FIXED ELECTROLYTIC	3.3UF SRA,SS 50V 20% FM5 TP 5	
		C310	0CE4764F638	CAPACITOR,FIXED ELECTROLYTIC	47UF SRA,SS 16V 20% FM5 TP 5	
		C311	0CE4764F638	CAPACITOR,FIXED ELECTROLYTIC	47UF SRA,SS 16V 20% FM5 TP 5	
		C312	0CE4764F638	CAPACITOR,FIXED ELECTROLYTIC	47UF SRA,SS 16V 20% FM5 TP 5	
		C315	0CE1064F638	CAPACITOR,FIXED ELECTROLYTIC	10UF SRA,SS 16V 20% FM5 TP 5	
		C318	0CE1064F638	CAPACITOR,FIXED ELECTROLYTIC	10UF SRA,SS 16V 20% FM5 TP 5	
		C320	0CE4764F638	CAPACITOR,FIXED ELECTROLYTIC	47UF SRA,SS 16V 20% FM5 TP 5	
		C321	0CE4764F638	CAPACITOR,FIXED ELECTROLYTIC	47UF SRA,SS 16V 20% FM5 TP 5	
		C322	0CE1064F638	CAPACITOR,FIXED ELECTROLYTIC	10UF SRA,SS 16V 20% FM5 TP 5	
		C323	0CE4764F638	CAPACITOR,FIXED ELECTROLYTIC	47UF SRA,SS 16V 20% FM5 TP 5	
		C325	0CE1064F638	CAPACITOR,FIXED ELECTROLYTIC	10UF SRA,SS 16V 20% FM5 TP 5	
		C326	0CE1064F638	CAPACITOR,FIXED ELECTROLYTIC	10UF SRA,SS 16V 20% FM5 TP 5	
		C332	0CE4764F638	CAPACITOR,FIXED ELECTROLYTIC	47UF SRA,SS 16V 20% FM5 TP 5	
		C333	0CE4764F638	CAPACITOR,FIXED ELECTROLYTIC	47UF SRA,SS 16V 20% FM5 TP 5	
		C334	0CE1064F638	CAPACITOR,FIXED ELECTROLYTIC	10UF SRA,SS 16V 20% FM5 TP 5	
		C338	0CE4764F638	CAPACITOR,FIXED ELECTROLYTIC	47UF SRA,SS 16V 20% FM5 TP 5	
		C339	0CE4764F638	CAPACITOR,FIXED ELECTROLYTIC	47UF SRA,SS 16V 20% FM5 TP 5	
		C341	0CE4764F638	CAPACITOR,FIXED ELECTROLYTIC	47UF SRA,SS 16V 20% FM5 TP 5	
		C342	0CE4764F638	CAPACITOR,FIXED ELECTROLYTIC	47UF SRA,SS 16V 20% FM5 TP 5	
		C343	0CE3354K638	CAPACITOR,FIXED ELECTROLYTIC	3.3UF SRA,SS 50V 20% FM5 TP 5	
		C6A1	0CE4774C638	CAPACITOR,FIXED ELECTROLYTIC	470UF SRA,SS 6.3V 20% FM5 TP 5	
		C6A1	0CE477CC618	CAPACITOR,FIXED ELECTROLYTIC	470UF SHL,SD 6.3V 20% TP 5 FL	ALTERNATE
		F301	6200HJC901A	FILTER(CIRC),EMC	CFI06B1H101MF SAMHWA TP 2-5K	
		F302	6200HJC901A	FILTER(CIRC),EMC	CFI06B1H101MF SAMHWA TP 2-5K	
		F303	6200HJC901A	FILTER(CIRC),EMC	CFI06B1H101MF SAMHWA TP 2-5K	
		F304	6200HJC901A	FILTER(CIRC),EMC	CFI06B1H101MF SAMHWA TP 2-5K	

S	AL	LOCA. NO.	PART NO.	DESCRIPTION	SPECIFICATION	REMARKS
		F305	6200HJC901A	FILTER(CIRC),EMC	CFI06B1H101MF SAMHWA TP 2-5K	
		F306	6200HJC901A	FILTER(CIRC),EMC	CFI06B1H101MF SAMHWA TP 2-5K	
		F6A1	6200HJC901A	FILTER(CIRC),EMC	CFI06B1H101MF SAMHWA TP 2-5K	
		F6A2	6200HJC901A	FILTER(CIRC),EMC	CFI06B1H101MF SAMHWA TP 2-5K	
		F6A3	6200HJC901A	FILTER(CIRC),EMC	CFI06B1H101MF SAMHWA TP 2-5K	
		Q6A1	0TR120309AE	TRANSISTOR,BIPOLARS	SRC1203 TP AUK TO92 22K,22K	
		Q6A1	0TR103009AE	TRANSISTOR,BIPOLARS	KRC103M(KRC1203) KEC TP TO92M	ALTERNATE
		R6A1	0RD0752F608	RESISTOR,FIXED CARBON FILM	75 OHM 1/6 W 5.00% TA26	
		R6A2	0RD4700F608	RESISTOR,FIXED CARBON FILM	470 OHM 1/6 W 5% TA26	
		R6A3	0RD1003F608	RESISTOR,FIXED CARBON FILM	100K OHM 1/6 W 5% TA26	
		R6A4	0RD4700F608	RESISTOR,FIXED CARBON FILM	470 OHM 1/6 W 5% TA26	
		R6A5	0RD0752F608	RESISTOR,FIXED CARBON FILM	75 OHM 1/6 W 5.00% TA26	
		R6A6	0RD1003F608	RESISTOR,FIXED CARBON FILM	100K OHM 1/6 W 5% TA26	
		R6A7	0RD2200F608	RESISTOR,FIXED CARBON FILM	220 OHM 1/6 W 5% TA26	
		R6A8	0RD1003F608	RESISTOR,FIXED CARBON FILM	100K OHM 1/6 W 5% TA26	
		R6A9	0RD2200F608	RESISTOR,FIXED CARBON FILM	220 OHM 1/6 W 5% TA26	
		ZD6A1	0DZ562609AA	DIODE,ZENERS	GDZJ5.6B 26MM TP GRANDE DO34	
		ZD6A2	0DZ562609AA	DIODE,ZENERS	GDZJ5.6B 26MM TP GRANDE DO34	
		ZD6A3	0DZ132609CA	DIODE,ZENERS	GDZJ13B 26MM TP GRANDE DO34 0	
		ZD6A4	0DZ132609CA	DIODE,ZENERS	GDZJ13B 26MM TP GRANDE DO34 0	
		ZD6A5	0DZ562609AA	DIODE,ZENERS	GDZJ5.6B 26MM TP GRANDE DO34	
		ZD6A6	0DZ562609AA	DIODE,ZENERS	GDZJ5.6B 26MM TP GRANDE DO34	
		CN301	6630R-FB05R	CONNECTOR (CIRC),FFC/FPC	00-6232-018-104-800 ELCO 18PIN	
		CN6A1	6630R-FB05R	CONNECTOR (CIRC),FFC/FPC	00-6232-018-104-800 ELCO 18PIN	
		JK301	6612JH002XE	JACK,RCA	ATT-10dB YUQIU RCA-621A-01GK	
		JK6A1	6612M00003C	JACK,SCART	ATT-10dB YUQIU RGB-16PBK FOR	
		C302	0CH1104K946	CAPACITOR,FIXED CERAMIC(TEMP.C	0.1UF 2012 50V 80%,-20% Y5V(F)	
		C305	0CH1104K946	CAPACITOR,FIXED CERAMIC(TEMP.C	0.1UF 2012 50V 80%,-20% Y5V(F)	
		C306	0CH4102K416	CAPACITOR,FIXED CERAMIC(HIGH D	1000PF 50V 5% NP0 2012 R/TP	
		C306	0CH4102K406	CAPACITOR,FIXED CERAMIC(HIGH D	1000PF 50V 5% SL 2012 R/TP	ALTERNATE
		C307	0CH4101K416	CAPACITOR,FIXED CERAMIC(HIGH D	100PF 50V 5% NP0 2012 R/TP	
		C308	0CH1392K566	CAPACITOR,FIXED CERAMIC(TEMP.C	3900PF 50V 10% X7R(X) 2012 R/T	
		C313	0CH4102K416	CAPACITOR,FIXED CERAMIC(HIGH D	1000PF 50V 5% NP0 2012 R/TP	
		C313	0CH4102K406	CAPACITOR,FIXED CERAMIC(HIGH D	1000PF 50V 5% SL 2012 R/TP	ALTERNATE
		C314	0CH4101K416	CAPACITOR,FIXED CERAMIC(HIGH D	100PF 50V 5% NP0 2012 R/TP	
		C316	0CH4102K416	CAPACITOR,FIXED CERAMIC(HIGH D	1000PF 50V 5% NP0 2012 R/TP	
		C316	0CH4102K406	CAPACITOR,FIXED CERAMIC(HIGH D	1000PF 50V 5% SL 2012 R/TP	ALTERNATE
		C317	0CH4101K416	CAPACITOR,FIXED CERAMIC(HIGH D	100PF 50V 5% NP0 2012 R/TP	
		C319	0CH1392K566	CAPACITOR,FIXED CERAMIC(TEMP.C	3900PF 50V 10% X7R(X) 2012 R/T	
		C324	0CH1392K566	CAPACITOR,FIXED CERAMIC(TEMP.C	3900PF 50V 10% X7R(X) 2012 R/T	
		C327	0CH1392K566	CAPACITOR,FIXED CERAMIC(TEMP.C	3900PF 50V 10% X7R(X) 2012 R/T	
		C328	0CH4101K416	CAPACITOR,FIXED CERAMIC(HIGH D	100PF 50V 5% NP0 2012 R/TP	
		C329	0CH4102K416	CAPACITOR,FIXED CERAMIC(HIGH D	1000PF 50V 5% NP0 2012 R/TP	
		C329	0CH4102K406	CAPACITOR,FIXED CERAMIC(HIGH D	1000PF 50V 5% SL 2012 R/TP	ALTERNATE
		C330	0CH4101K416	CAPACITOR,FIXED CERAMIC(HIGH D	100PF 50V 5% NP0 2012 R/TP	
		C331	0CH4102K416	CAPACITOR,FIXED CERAMIC(HIGH D	1000PF 50V 5% NP0 2012 R/TP	
		C331	0CH4102K406	CAPACITOR,FIXED CERAMIC(HIGH D	1000PF 50V 5% SL 2012 R/TP	ALTERNATE
		C335	0CH4101K416	CAPACITOR,FIXED CERAMIC(HIGH D	100PF 50V 5% NP0 2012 R/TP	
		C336	0CH4102K416	CAPACITOR,FIXED CERAMIC(HIGH D	1000PF 50V 5% NP0 2012 R/TP	
		C336	0CH4102K406	CAPACITOR,FIXED CERAMIC(HIGH D	1000PF 50V 5% SL 2012 R/TP	ALTERNATE
		C337	0CH1392K566	CAPACITOR,FIXED CERAMIC(TEMP.C	3900PF 50V 10% X7R(X) 2012 R/T	
		C340	0CH1392K566	CAPACITOR,FIXED CERAMIC(TEMP.C	3900PF 50V 10% X7R(X) 2012 R/T	
		C344	0CH1104K946	CAPACITOR,FIXED CERAMIC(TEMP.C	0.1UF 2012 50V 80%,-20% Y5V(F)	
		C345	0CH1104K946	CAPACITOR,FIXED CERAMIC(TEMP.C	0.1UF 2012 50V 80%,-20% Y5V(F)	
		D311	0DS202009CA	DIODE,SWITCHING	DAN202K TP ROHM KOREA SOT23 80	
		D311	0DD184009AA	DIODE,SWITCHING	CHIP KDS184-T1(B3) KEC	ALTERNATE
		D312	0DS202009CA	DIODE,SWITCHING	DAN202K TP ROHM KOREA SOT23 80	

S	AL	LOCA. NO.	PART NO.	DESCRIPTION	SPECIFICATION	REMARKS
		D312	0DD184009AA	DIODE,SWITCHING	CHIP KDS184-T1(B3) KEC	ALTERNATE
		IC301	0IPRPCI012A	IC,PERIPHERALS	CS4360-KZR CIRRUS LOGIC 28PIN,	
		IC302	0ILNRBB003A	IC,LINEAR	0PA2604AU BUR BROWN 8P SOP R/T	
		IC303	0ILNRBB003A	IC,LINEAR	0PA2604AU BUR BROWN 8P SOP R/T	
		IC304	0ILNRBB003A	IC,LINEAR	0PA2604AU BUR BROWN 8P SOP R/T	
		Q301	0TRAU80017A	TRANSISTOR,BIPOLARS	2SC5343SG AUK KOREA R/TP SOT23	
		Q301	0TRON80009A	TRANSISTOR,BIPOLARS	BC846ALT1 ON SEMI(MOTOROLA) R/	ALTERNATE
		Q301	0TR387509AC	TRANSISTOR,BIPOLARS	CHIP KTC3875S-GR-T1(ALG) TP KE	ALTERNATE
		Q302	0TRAU80017A	TRANSISTOR,BIPOLARS	2SC5343SG AUK KOREA R/TP SOT23	
		Q302	0TR387509AC	TRANSISTOR,BIPOLARS	CHIP KTC3875S-GR-T1(ALG) TP KE	ALTERNATE
		Q302	0TRON80009A	TRANSISTOR,BIPOLARS	BC846ALT1 ON SEMI(MOTOROLA) R/	ALTERNATE
		Q303	0TRAU80017A	TRANSISTOR,BIPOLARS	2SC5343SG AUK KOREA R/TP SOT23	
		Q303	0TR387509AC	TRANSISTOR,BIPOLARS	CHIP KTC3875S-GR-T1(ALG) TP KE	ALTERNATE
		Q303	0TRON80009A	TRANSISTOR,BIPOLARS	BC846ALT1 ON SEMI(MOTOROLA) R/	ALTERNATE
		Q304	0TRAU80017A	TRANSISTOR,BIPOLARS	2SC5343SG AUK KOREA R/TP SOT23	
		Q304	0TRON80009A	TRANSISTOR,BIPOLARS	BC846ALT1 ON SEMI(MOTOROLA) R/	ALTERNATE
		Q304	0TR387509AC	TRANSISTOR,BIPOLARS	CHIP KTC3875S-GR-T1(ALG) TP KE	ALTERNATE
		Q305	0TRON80009A	TRANSISTOR,BIPOLARS	BC846ALT1 ON SEMI(MOTOROLA) R/	
		Q305	0TR387509AC	TRANSISTOR,BIPOLARS	CHIP KTC3875S-GR-T1(ALG) TP KE	ALTERNATE
		Q305	0TRAU80017A	TRANSISTOR,BIPOLARS	2SC5343SG AUK KOREA R/TP SOT23	ALTERNATE
		Q306	0TRON80009A	TRANSISTOR,BIPOLARS	BC846ALT1 ON SEMI(MOTOROLA) R/	
		Q306	0TRAU80017A	TRANSISTOR,BIPOLARS	2SC5343SG AUK KOREA R/TP SOT23	ALTERNATE
		Q306	0TR387509AC	TRANSISTOR,BIPOLARS	CHIP KTC3875S-GR-T1(ALG) TP KE	ALTERNATE
		Q307	0TRAU80012A	TRANSISTOR,BIPOLARS	SRA2203S AUK KOREA R/TP SOT23	
		Q307	0TRON80007A	TRANSISTOR,BIPOLARS	MMUN2112LT1 ON SEMI(MOTOROLA)	ALTERNATE
		Q307	0TR103009AC	TRANSISTOR,BIPOLARS	KRA103S-T1(PC)22-22 CHIP TP KE	ALTERNATE
		Q308	0TRAU80012A	TRANSISTOR,BIPOLARS	SRA2203S AUK KOREA R/TP SOT23	
		Q308	0TRON80007A	TRANSISTOR,BIPOLARS	MMUN2112LT1 ON SEMI(MOTOROLA)	ALTERNATE
		Q308	0TR103009AC	TRANSISTOR,BIPOLARS	KRA103S-T1(PC)22-22 CHIP TP KE	ALTERNATE
		R301	0RH1001D622	RESISTOR,METAL GLAZED(CHIP)	1K OHM 1 / 10 W 2012 5.00% D	
		R302	0RH0102D622	RESISTOR,METAL GLAZED(CHIP)	10 OHM 1 / 10 W 2012 5.00% D	
		R305	0RH0102D622	RESISTOR,METAL GLAZED(CHIP)	10 OHM 1 / 10 W 2012 5.00% D	
		R306	0RH1001D622	RESISTOR,METAL GLAZED(CHIP)	1K OHM 1 / 10 W 2012 5.00% D	
		R307	0RH1003D622	RESISTOR,METAL GLAZED(CHIP)	100K OHM 1 / 10 W 2012 5.00% D	
		R308	0RH2200D622	RESISTOR,METAL GLAZED(CHIP)	220 OHM 1 / 10 W 2012 5.00% D	
		R309	0RH3300D622	RESISTOR,METAL GLAZED(CHIP)	330 OHM 1 / 10 W 2012 5.00% D	
		R310	0RH1001D622	RESISTOR,METAL GLAZED(CHIP)	1K OHM 1 / 10 W 2012 5.00% D	
		R311	0RH1502D622	RESISTOR,METAL GLAZED(CHIP)	15K OHM 1 / 10 W 2012 5.00% D	
		R312	0RH6801D622	RESISTOR,METAL GLAZED(CHIP)	6.8K OHM 1 / 10 W 2012 5.00% D	
		R313	0RH8201D622	RESISTOR,METAL GLAZED(CHIP)	8.2K OHM 1 / 10 W 2012 5.00% D	
		R314	0RH8201D622	RESISTOR,METAL GLAZED(CHIP)	8.2K OHM 1 / 10 W 2012 5.00% D	
		R315	0RH8201D622	RESISTOR,METAL GLAZED(CHIP)	8.2K OHM 1 / 10 W 2012 5.00% D	
		R316	0RH6801D622	RESISTOR,METAL GLAZED(CHIP)	6.8K OHM 1 / 10 W 2012 5.00% D	
		R317	0RH1502D622	RESISTOR,METAL GLAZED(CHIP)	15K OHM 1 / 10 W 2012 5.00% D	
		R318	0RH3300D622	RESISTOR,METAL GLAZED(CHIP)	330 OHM 1 / 10 W 2012 5.00% D	
		R319	0RH5601D622	RESISTOR,METAL GLAZED(CHIP)	5.6K OHM 1 / 10 W 2012 5.00% D	
		R320	0RH4701D622	RESISTOR,METAL GLAZED(CHIP)	4.7K OHM 1 / 10 W 2012 5.00% D	
		R321	0RH1003D622	RESISTOR,METAL GLAZED(CHIP)	100K OHM 1 / 10 W 2012 5.00% D	
		R322	0RH2200D622	RESISTOR,METAL GLAZED(CHIP)	220 OHM 1 / 10 W 2012 5.00% D	
		R323	0RH1001D622	RESISTOR,METAL GLAZED(CHIP)	1K OHM 1 / 10 W 2012 5.00% D	
		R324	0RH2200D622	RESISTOR,METAL GLAZED(CHIP)	220 OHM 1 / 10 W 2012 5.00% D	
		R325	0RH1003D622	RESISTOR,METAL GLAZED(CHIP)	100K OHM 1 / 10 W 2012 5.00% D	
		R326	0RH3300D622	RESISTOR,METAL GLAZED(CHIP)	330 OHM 1 / 10 W 2012 5.00% D	
		R327	0RH1001D622	RESISTOR,METAL GLAZED(CHIP)	1K OHM 1 / 10 W 2012 5.00% D	
		R328	0RH1502D622	RESISTOR,METAL GLAZED(CHIP)	15K OHM 1 / 10 W 2012 5.00% D	
		R329	0RH6801D622	RESISTOR,METAL GLAZED(CHIP)	6.8K OHM 1 / 10 W 2012 5.00% D	
		R330	0RH1001D622	RESISTOR,METAL GLAZED(CHIP)	1K OHM 1 / 10 W 2012 5.00% D	

S	AL	LOCA. NO.	PART NO.	DESCRIPTION	SPECIFICATION	REMARKS
		R331	0RH8201D622	RESISTOR,METAL GLAZED(CHIP)	8.2K OHM 1 / 10 W 2012 5.00% D	
		R332	0RH6801D622	RESISTOR,METAL GLAZED(CHIP)	6.8K OHM 1 / 10 W 2012 5.00% D	
		R333	0RH1502D622	RESISTOR,METAL GLAZED(CHIP)	15K OHM 1 / 10 W 2012 5.00% D	
		R334	0RH3300D622	RESISTOR,METAL GLAZED(CHIP)	330 OHM 1 / 10 W 2012 5.00% D	
		R335	0RH5601D622	RESISTOR,METAL GLAZED(CHIP)	5.6K OHM 1 / 10 W 2012 5.00% D	
		R336	0RH4701D622	RESISTOR,METAL GLAZED(CHIP)	4.7K OHM 1 / 10 W 2012 5.00% D	
		R337	0RH1003D622	RESISTOR,METAL GLAZED(CHIP)	100K OHM 1 / 10 W 2012 5.00% D	
		R338	0RH2200D622	RESISTOR,METAL GLAZED(CHIP)	220 OHM 1 / 10 W 2012 5.00% D	
		R339	0RH1001D622	RESISTOR,METAL GLAZED(CHIP)	1K OHM 1 / 10 W 2012 5.00% D	
		R340	0RH1001D622	RESISTOR,METAL GLAZED(CHIP)	1K OHM 1 / 10 W 2012 5.00% D	
		R341	0RH2200D622	RESISTOR,METAL GLAZED(CHIP)	220 OHM 1 / 10 W 2012 5.00% D	
		R342	0RH1003D622	RESISTOR,METAL GLAZED(CHIP)	100K OHM 1 / 10 W 2012 5.00% D	
		R343	0RH3300D622	RESISTOR,METAL GLAZED(CHIP)	330 OHM 1 / 10 W 2012 5.00% D	
		R344	0RH1001D622	RESISTOR,METAL GLAZED(CHIP)	1K OHM 1 / 10 W 2012 5.00% D	
		R345	0RH1502D622	RESISTOR,METAL GLAZED(CHIP)	15K OHM 1 / 10 W 2012 5.00% D	
		R346	0RH6801D622	RESISTOR,METAL GLAZED(CHIP)	6.8K OHM 1 / 10 W 2012 5.00% D	
		R347	0RH8201D622	RESISTOR,METAL GLAZED(CHIP)	8.2K OHM 1 / 10 W 2012 5.00% D	
		R348	0RH8201D622	RESISTOR,METAL GLAZED(CHIP)	8.2K OHM 1 / 10 W 2012 5.00% D	
		R349	0RH6801D622	RESISTOR,METAL GLAZED(CHIP)	6.8K OHM 1 / 10 W 2012 5.00% D	
		R350	0RH1502D622	RESISTOR,METAL GLAZED(CHIP)	15K OHM 1 / 10 W 2012 5.00% D	
		R361	0RH3300D622	RESISTOR,METAL GLAZED(CHIP)	330 OHM 1 / 10 W 2012 5.00% D	
		R362	0RH5601D622	RESISTOR,METAL GLAZED(CHIP)	5.6K OHM 1 / 10 W 2012 5.00% D	
		R363	0RH4701D622	RESISTOR,METAL GLAZED(CHIP)	4.7K OHM 1 / 10 W 2012 5.00% D	
		R364	0RH1001D622	RESISTOR,METAL GLAZED(CHIP)	1K OHM 1 / 10 W 2012 5.00% D	
		R365	0RH2200D622	RESISTOR,METAL GLAZED(CHIP)	220 OHM 1 / 10 W 2012 5.00% D	
		R366	0RH1003D622	RESISTOR,METAL GLAZED(CHIP)	100K OHM 1 / 10 W 2012 5.00% D	
		R367	0RH0000D622	RESISTOR,METAL GLAZED(CHIP)	0 OHM 1 / 10 W 2012 5.00% D	
		R368	0RH0000D622	RESISTOR,METAL GLAZED(CHIP)	0 OHM 1 / 10 W 2012 5.00% D	
		R369	0RH0000D622	RESISTOR,METAL GLAZED(CHIP)	0 OHM 1 / 10 W 2012 5.00% D	
		R370	0RH0000D622	RESISTOR,METAL GLAZED(CHIP)	0 OHM 1 / 10 W 2012 5.00% D	
		R371	0RH0000D622	RESISTOR,METAL GLAZED(CHIP)	0 OHM 1 / 10 W 2012 5.00% D	
		R372	0RH0000D622	RESISTOR,METAL GLAZED(CHIP)	0 OHM 1 / 10 W 2012 5.00% D	
		R375	0RH1001D622	RESISTOR,METAL GLAZED(CHIP)	1K OHM 1 / 10 W 2012 5.00% D	
		R376	0RH1001D622	RESISTOR,METAL GLAZED(CHIP)	1K OHM 1 / 10 W 2012 5.00% D	